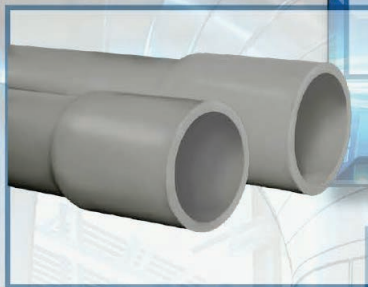


CANTEX®

FULL LINE Product Catalog

**YOUR SINGLE SOURCE FOR
PVC ELECTRICAL PRODUCTS**

**PVC Electrical
Conduit,
Fittings,
Boxes &
Accessories**



Schedule 40 & 80 PVC Pipe

PVC Utility Duct

CAN>LOC® HDD Conduit

CAN>GRIP® HDD Conduit

PVC Elbows/Bends

Schedule 40 & 80 PVC Fittings

EZ-Flex® ENT Tubing, Fittings
& Accessories

Enviro-Flex® Liquidtight
Conduit & Fittings

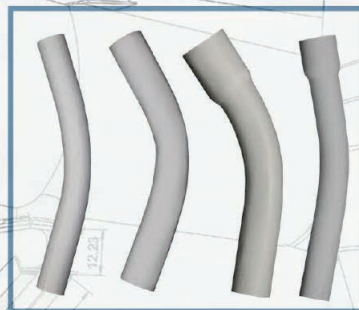
EZ BOX® Switch & Outlet Boxes

EZ BOX® Ceiling & Ceiling Fan Boxes

EZ GUARD® Wildlife Protectors

Telephone Conduit & Fittings

PVC Accessories & Cement



About CANTEX	1-2
Schedule 40 Conduit	3-4
Schedule 80 Conduit	5
Forte-Duct® Cellular Core Conduit	6
CAN>LOC® & CAN>GRIP® Sch. 40 Horizontal Directional Drilling Conduit	7-8
Split Duct & Split Sleeve Couplings	9
Sch. 40 Standard Radius Elbows, Plain End & Bell End	10-13
Sch. 40 Special Radius Elbows, Plain End & Bell End	14-26
Sch. 80 Standard Radius Elbows, Plain End & Bell End	27-30
Sch. 80 Special Radius Elbows, Plain End & Bell End	31-34
Schedule 40 / Schedule 80 Fittings	35-46
<i>Couplings, Male Adapters, Female Adapters, Terminal Adapters, Pipe Straps, Expansion Couplings, Reducers, Box Adapters, End Caps, Molded Schedule 40 End Bells, Poly Plugs, Pull Elbows, Sealing Washers, Strain Relief Connectors, Insulating Bushings, Schedule 40 Longline Couplings, Schedule 40 Swedged Couplings, Schedule 40 Split Sleeve Couplings, Fabricated End Bells, Service Entrance Caps, Meter Offsets, Conduit Offsets</i>	
Conduit Bodies	47-49
Junction Boxes, Floor Boxes & Accessories	50-51
Exposed Electrical Boxes & Weatherproof Covers	52-64
Direct Burial & Encased Burial Utility Duct	65-67
Special Radius Elbows for Type EB and DB Utility Duct Bell End	68-75
Fittings & Accessories for the Power, Utility and Communications Markets, including Fittings for EB & DB Duct	76-91
<i>Terminal Adapters, Female Adapters, Male Adapters, Longline Couplings, Couplings, Swedged Couplings, 5° Couplings, Bell to Bell Couplings, End Bells, Reducers, Split Sleeve Couplings, End Caps, Poly Plugs, Service Entrance Caps, Meter Offsets, Offsets, Expansion Joints, EZ GUARD® Wildlife Protectors, Service Risers, Spacers</i>	
UT-Flex® Flexible Utility Duct	92
EZ-Flex® ENT Nonmetallic Tubing, ENT Accessories and ENT Boxes	93-99
Enviro-Flex Liquid Tight Conduit & Fittings	100-102
Telephone Conduit, Fittings & Elbows	103-117
Solvent Cement & Primer	118
EZ Box® Electrical Switch, Outlet & Ceiling Boxes	119-152
Conduit Installation Guidelines	153-159
Conduit Engineering and Design Data	160-163
Conduit & Utility Duct Packaging Data	164-165
Limited Warranty	166
Authorized Distributor Policy	167
Additional Product Information	168

PVC Electrical Products

CANTEX® OFFERS A FULL LINE OF PVC ELECTRICAL PRODUCTS

CANTEX is a leading producer of PVC electrical products, with seven manufacturing facilities strategically located from east to west across the country. These facilities feature some of the most modern production equipment and advanced process technology found anywhere in the industry. Production facilities include extrusion, injection molding, and fabrication processes to produce the broad lines of PVC products which serve the power, utility, building construction, and communications markets.

CANTEX PVC Products had its beginning over 60 years ago, as a division of a national corporation in the utility and building construction industry. The Plastics Division grew steadily in size and importance. Its product lines expanded into several major categories:

- Electrical distributors and contractors were provided with a broad line of PVC conduit and fittings.
- Power and utility companies were supplied with underground PVC duct and fittings.
- For the communications industry, PVC conduit and fittings were made available to telephone and cable companies for underground cable installations.
- Municipal public works needs were met with PVC pipe for distribution and collection.

With over 60 years of proven results in manufacturing American made electrical products, CANTEX INC. has the proven track record for quality and service necessary to meet all your PVC electrical product needs.

THE CANTEX ELECTRICAL FULL PRODUCT LINE

CANTEX offers a complete line of extruded and injection molded electrical conduit, utility duct, fittings, accessories, switch and outlet boxes. Products include a full range of sizes in:

- Schedule 40 & 80 Conduit
- Electrical Fittings & Accessories – Molded & Fabricated
- Schedule 40 Conduit for Directional Drilling Applications
- Utility Duct – NEMA TC-6 & 8 - EB20 EB35, DB60, DB100, DB120
- Schedule 40 Forte-Duct® Cellular Core PVC Conduit
- Duct Fittings & Accessories
- Elbows, Bends & Sweeps – Standard & Special Radius
- EZ-FLEX® Electrical Nonmetallic Tubing & Fittings
- ENVIRO-FLEX® Liquid-tight Conduit & Fittings
- Telephone Conduit – Types B-C-D
- EZ BOX® Switch, Outlet and Ceiling Boxes
- PVC Solvent Cements

SERVICE

CANTEX stands for a commitment to service – service that puts the customer first. Our efficient transportation system means on-time deliveries anywhere in the U.S. The CANTEX customer service team is staffed by dedicated professionals, who provide immediate response and effective communications about orders and shipments.

AT CANTEX, WE WORK FOR THE CUSTOMER!

PVC Electrical Products

INDUSTRY ORGANIZATIONS

CANTEX actively supports those organizations which set standards and promote professional practices in the electrical industry. These include NEMRA, NAED, IAEI, IEEE, along with other associations in the construction industry.

QUALITY ASSURANCE

CANTEX has a comprehensive quality control program to ensure compliance with industry standards established by Underwriters Laboratories, National Electrical Code, the American Society for Testing and Materials, and Canadian Standards Association.

From virgin raw materials blended into compounds through extrusion or injection molding to final inspection and testing of the finished product, the manufacturing process is monitored to make sure quality standards are met or exceeded. Additionally, we UL or ETL test all of our products to insure that they meet all applicable standards.

Each plant is graded and held accountable for the quality control performance of its total output.

To further strengthen the company's goal for quality products, a centralized quality control review procedure ensures that every plant is producing at a consistent level of quality for all similar products. You know you're getting the very best every time you buy from CANTEX.

PVC ELECTRICAL STANDARDS BY PRODUCT

Schedule 40 Conduit

UL 651, NEMA TC-2 and NEC-Article 352

Schedule 80 Conduit

UL 651, NEMA TC-2 and NEC-Article 352

PVC Electrical Fittings

Fittings for electrical applications conform to one or more of the following specifications:
 NEMA TC-3 and UL 514B, UL651,
 NEMA TC-6&8, ASTM F-512, UL 50,
 CSA 22.2 No. 211.2 85-M89

Utility Duct

NEMA TC 6 & 8 and ASTM F-512

Utility Duct Fittings

NEMA TC-9

EZ-FLEX ENT (Electrical Nonmetallic Tubing) & Fittings

NEMA TC-13 and NEC Article 362 UL 1653

ENVIRO-FLEX Liquidtight Conduit

UL1660, NEC 356
 CSA 22.2 No. 227.2.1

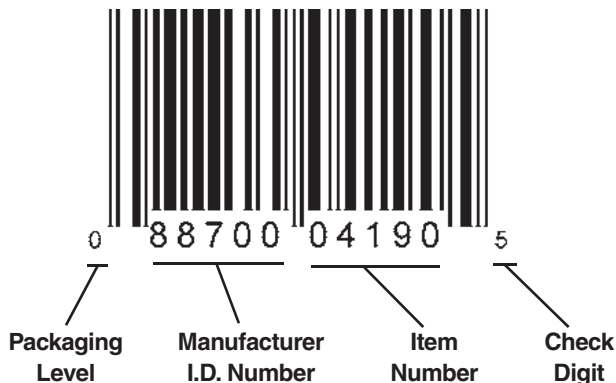
ENVIRO-FLEX Liquidtight Fittings

UL 514B and NEMA FB-1

Uniform Product Code

UPC-A

Item bar code identifies a single product unit.

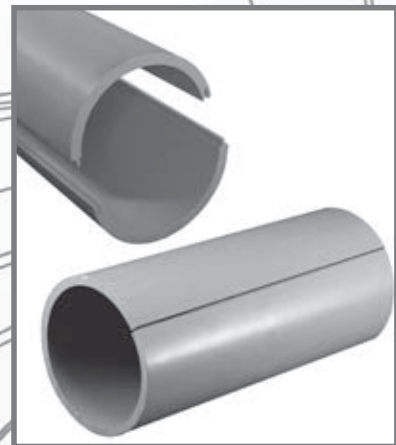
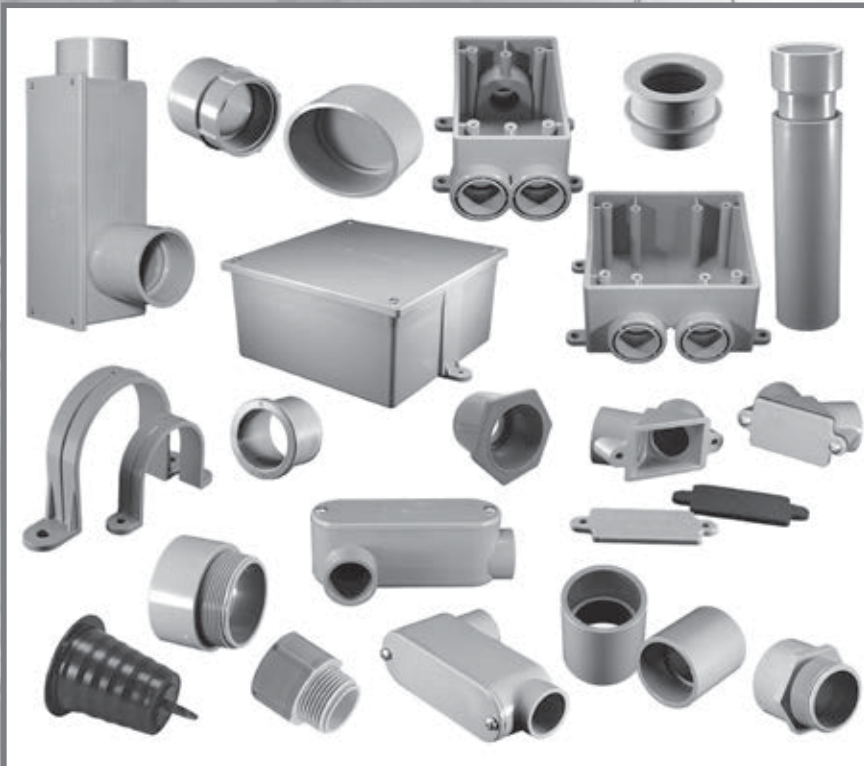
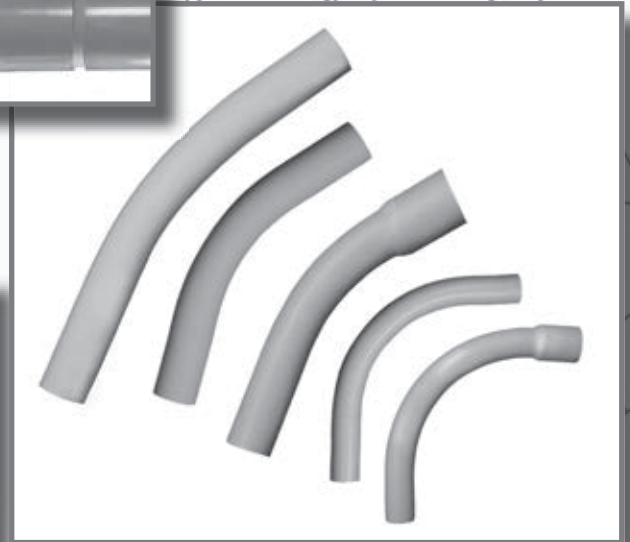
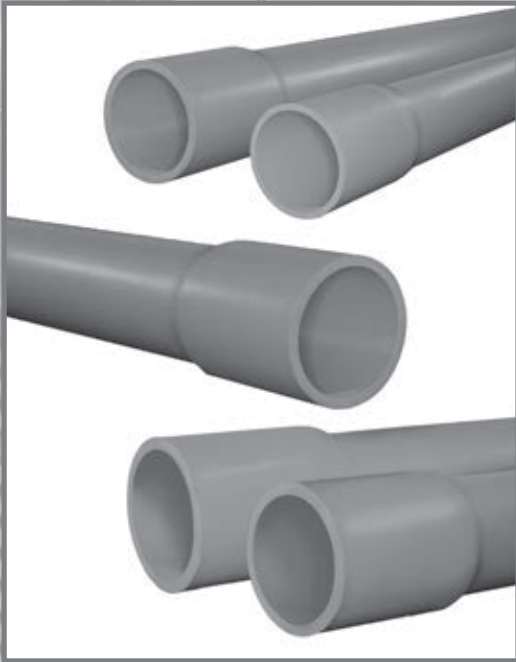


UPC-ITF

Shipping container bar code identifies each standard carton of products.



**Schedule 40 & Schedule 80 Conduit,
Elbows, Fittings and Accessories, Conduit Bodies,
Junction Boxes, and Exposed Electrical Boxes**

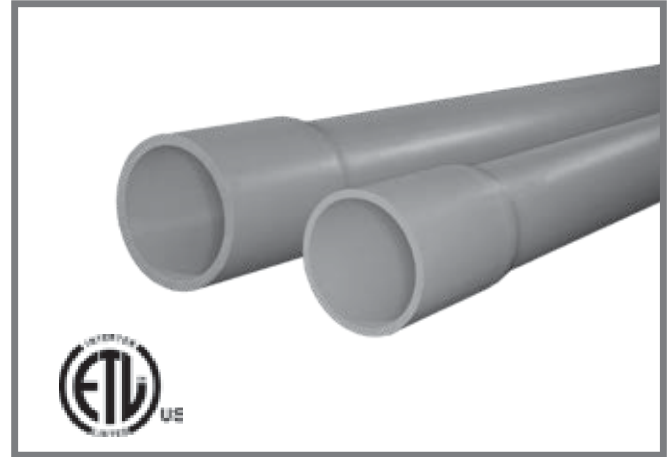


Nonmetallic Schedule 40 Conduit

CANTEX

Backed by over 60 years of manufacturing excellence, CANTEX Schedule 40 PVC Conduit is designed for underground or aboveground applications.

- Nonmetallic PVC material which is corrosion, rust and sunlight resistant
- ETL listed
- Conforms to UL651 and NEMA TC-2
- Rated for use with 90-degree C conductors
- Made in USA
- Sunlight Resistant
- 10' Lengths
- 20' Lengths available (See note below)

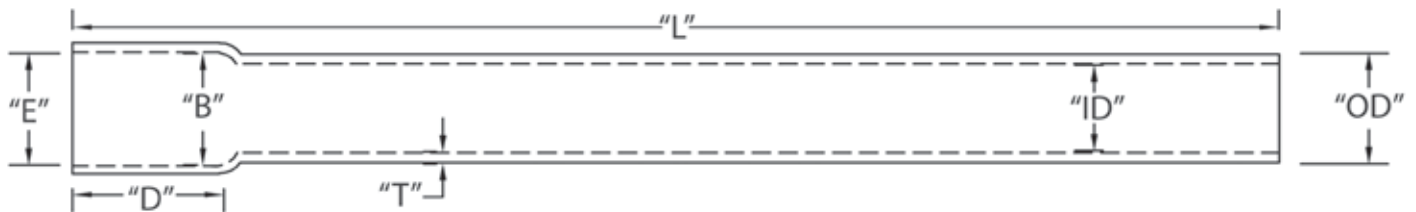


Nonmetallic PVC Schedule 40 Conduit Belled End - 10' Lengths

Part No.	Size	Feet per Pack	T Min	OD	ID Min	E	B	D Nom	L Min
A52AE12	1/2	6,000	.109	.840	.578	.852	.836	1.500	120
A52AG12	3/4	4,400	.113	1.050	.780	1.064	1.046	1.750	120
A52BA12	1	3,600	.133	1.315	1.004	1.330	1.310	2.000	120
A52BC12	1-1/4	3,300	.140	1.660	1.335	1.677	1.655	2.250	120
A52BE12	1-1/2	2,250	.145	1.900	1.564	1.918	1.894	2.500	120
A52CA12	2	1,400	.154	2.375	2.021	2.393	2.369	3.000	120
A52CE12	2-1/2	930	.203	2.875	2.414	2.890	2.868	3.250	120
A52DA12	3	880	.216	3.500	3.008	3.515	3.492	3.750	120
A52DE12	3-1/2	630	.226	4.000	3.486	4.015	3.992	4.000	120
A52EA12	4	570	.237	4.500	3.961	4.515	4.491	4.500	120
A52FA12	5	380	.258	5.563	4.975	5.593	5.553	5.500	120
A52GA12	6	260	.280	6.625	5.986	6.658	6.614	6.125	120
A52JA12*	8	180	.322	8.625	7.853	8.670	8.610	6.375	120

Dimensions are nominal

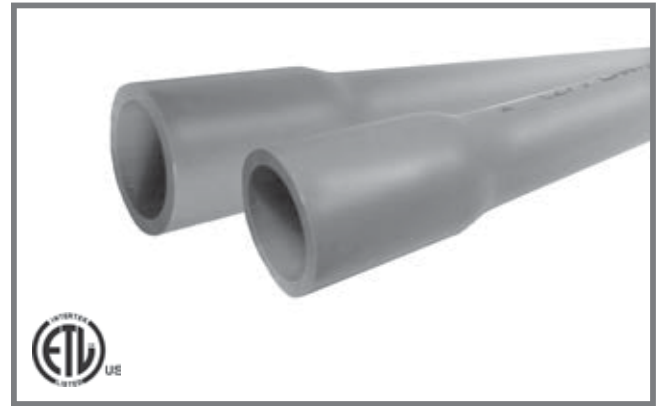
* Not ETL Listed



Note: 20' length available on request with the exception of the 1/2 inch conduit sizes.
Schedule 40 conduit complies with federal and military specifications by conforming to UL 651.

CANTEX Schedule 80 PVC Conduit is designed for underground or aboveground applications that are at risk of physical damage.

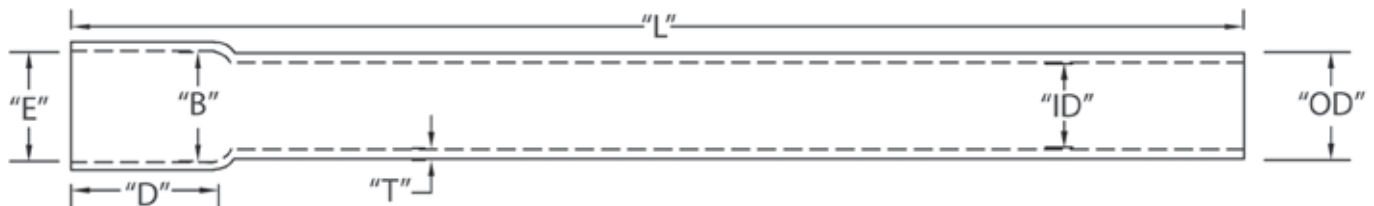
- Nonmetallic PVC material which is corrosion, rust and sunlight resistant
- ETL listed
- Conforms to UL651 and NEMA TC-2
- Rated for use with 90-degree C conductors
- Made in USA
- Sunlight Resistant
- 10' Lengths
- 20' Lengths available (See note below)



Nonmetallic PVC Schedule 80 Conduit Belled End - 10' Lengths

Part No.	Size	Feet per Pack	T Min	OD	ID Min	E	B	D Nom	L Min
A53AE12	1/2	6,000	.147	.840	.502	.852	.836	1.500	120
A53AG12	3/4	4,400	.154	1.050	.698	1.064	1.046	1.750	120
A53BA12	1	3,600	.179	1.315	.910	1.330	1.310	2.000	120
A53BC12	1-1/4	3,300	.191	1.660	1.227	1.677	1.655	2.250	120
A53BE12	1-1/2	2,250	.200	1.900	1.446	1.918	1.894	2.500	120
A53CA12	2	1,400	.218	2.375	1.881	2.393	2.369	3.000	120
A53CE12	2-1/2	930	.276	2.875	2.250	2.890	2.868	3.250	120
A53DA12	3	880	.300	3.500	2.820	3.515	3.492	3.750	120
A53DE12	3-1/2*	630	.226	4.000	3.486	4.015	3.992	4.000	120
A53EA12	4	570	.337	4.500	3.737	4.515	4.491	4.500	120
A53FA12	5	380	.375	5.563	4.713	5.593	5.553	5.500	120
A53GA12	6	260	.432	6.625	5.646	6.658	6.614	6.125	120

Dimensions are nominal



Note: 20' length available on request with the exception of the 1/2 and 3/4 conduit inch sizes. Schedule 80 conduit complies with federal and military specifications by conforming to UL 651. Call for special quotes.

Rigid Nonmetallic Cellular Foam Core PVC Conduit & Utility Duct

CANTEX

CANTEX Schedule 40 PVC Cellular Foam Core Conduit is 25% to 30% lighter than standard Schedule 40 conduit with proven durability in direct burial installations.

- Nonmetallic PVC material which is corrosion, rust and sunlight resistant
- Lighter and easier to install reducing installation costs
- Not ETL listed
- For non UL applications
- Conforms to UL651 and NEMA TC-2
- Rated for use with 90-degree C conductors
- Made in USA
- Sunlight Resistant
- 20' Lengths



Schedule 40 Foam Core Cellular Conduit Belled End - 20' Lengths

Part No.	Size	Feet per Pack	T Min	OD	E	B	D Min	L Min
A60CA42	2	2,800	.154	2.375	2.393	2.369	3.000	240
A60DA42	3	1,760	.216	3.500	3.515	3.492	3.750	240
A60EA42	4	1,140	.237	4.500	4.515	4.491	4.500	240
A60FA42	5	760	.258	5.563	5.593	5.553	5.500	240
A60GA42	6	520	.280	6.625	6.658	6.614	6.125	240

Dimensions are nominal

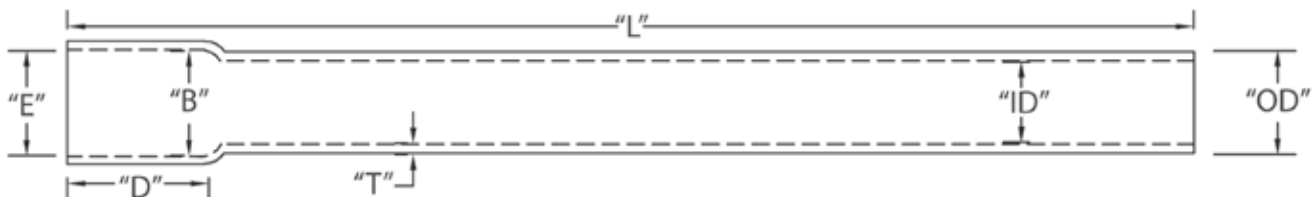
Note: 10' length available on request

DBHM-120 Foam Core Cellular Conduit Belled End - 20' Lengths

Part No.	Size	Feet per Pack	T Min	OD	E	B	D Min	L Min
A59DA42	3	1,400	.127	3.500	3.538	3.508	3.125	240
A59EA42	4	1,140	.166	4.500	4.544	4.509	3.375	240
A59FA42	5	1,400	.205	5.563	5.614	5.573	4.000	240
A59GA42	6	520	.244	6.625	6.687	6.636	5.000	240

Dimensions are nominal

***This is not a stocked product. Call for special quotes.**



Watch an installation at <https://www.cantexinc.com/resources/videos>.



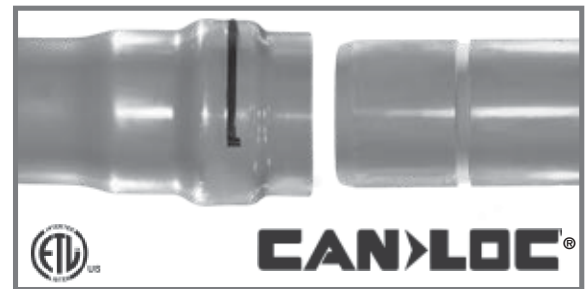
CAN>LOC® & CAN>GRIP® HORIZONTAL DIRECTIONAL DRILLING CONDUIT ADVANTAGE

Horizontal directional drilling (HDD) is used to connect underground pipes, wires, cables, and ducts with a trenchless underground drill technique that minimizes damage to infrastructure and environment. CANTEX's CAN>LOC® and CAN>GRIP™ systems offer many benefits over HDPE, the conduit most used for HDD applications. Both CAN>GRIP and CAN>LOC provide strength, flexibility, function, labor cost savings and safety advantages over HDPE and other HDD conduit systems.

Schedule 40 CAN>LOC® Conduit - 20 Lengths

CANTEX PVC Schedule 40 CAN>LOC® Directional Drilling Conduit is designed for horizontal directional drilling applications. CAN>LOC provides a secure, water tight seal without solvent, clamps or bolts. With stronger joint pull ratings than most other HDD systems, CAN>LOC has the extra strength and flexibility needed to protect from bore failures and costly underground repairs. The unique belled end contains a patented Reiber Gasket to maintain a watertight system.

- For directional drilling applications of up to 1,000 feet
- No solvent cement or clamps needed for secure, water-proof joints
- Watertight Reiber gasketed joints
- Lighter for transport & easy job site handling
- No reel removal hassles
- Uses standard schedule 40 fittings
- ETL Listed
- Made in USA
- 20' Lengths



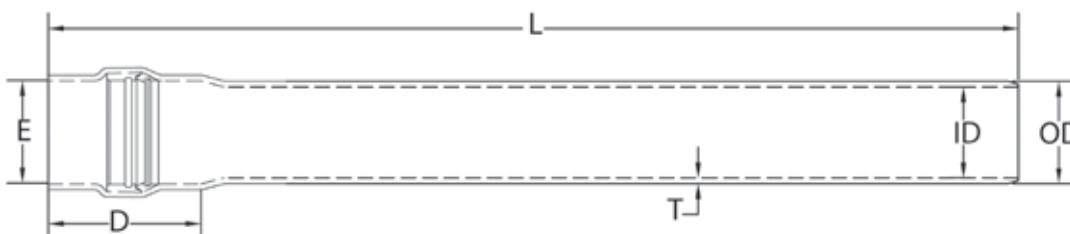
Conforms to UL 651 and NEMA TC-2

Easy installation to complete more bores per day!

Part Number	Trade Size	Length	Lay Length	Pack Qty.	Feet per Truckload	Wt. per 100 ft. (Lbs.)	Min. Bend Radius (ft.)	Insertion Force (Lbs.)	Seal Pressure Rating (Lbs.)	Joined Pull Rating (Lbs.)	Typical Crush (Lbs. @ 30% deflection)	UL 651 / NEMA TC2 Min. Crush (Lbs)
A24EA42	4	20	19.5	520	14,560'	234	65	70	75	12,000	1,075	900
A24GA42	6	20	19.5	400	8,000	456	65	80	75	18,000	950	850

Part Number	Size	Description	T Min	OD	ID Min	E	D Min	L Min
A24EA42	4	CAN>LOC™	.237	4.500	3.961	4.515	6.000	240
A24GA42	6	CAN>LOC™	.280	6.625	5.986	6.658	7.000	240

Dimensions are nominal



CAN>GRIP® IS THE MOST EFFICIENT HDD CONDUIT SYSTEM AVAILABLE

CAN>GRIP® is simply the fastest, easiest Horizontal Directional Drilling conduit system on the market. Since no locking mechanisms are necessary, joint connections take less than one minute, cutting labor costs for HDD projects. This efficiency combined with the quality, function and strength advantage over other HDD products makes CAN>GRIP perfect for bores up to 1,000 feet. CAN>GRIP also provides a water tight seal without solvent, clamps or bolts as well the extra strength and flexibility needed to protect from bore failures and costly underground repairs.

Complete more bores per day with easy installation!



Schedule 40 CAN>GRIP® Conduit - 20 Lengths

Connect in less than one minute!

In a league of its own, CAN>GRIP delivers the easiest and fastest installation of any horizontal directional drilling conduit system available. The internal gripper locking-mechanism does all the work, so CAN>GRIP sections connect in one fast step! Just hit the plain end of the CAN>GRIP length into the belled-end until it is fully inserted and secure. No cement or external locking-mechanisms are needed! The unique belled end contains a patented Reiber Gasket to maintain a watertight system.

- NO EXTERNAL LOCKING MECHANISM needed
- Watertight Reiber gasketed joints
- Patented gripper ring
- Less chance for human error
- For directional drilling applications of up to 1,000 feet.
- No solvent cement or clamps needed for secure, water-proof joints.
- Lighter for transport & easy job site handling
- No reel removal hassles
- Uses standard schedule 40 fittings
- ETL Listed
- Made in USA
- 20' Lengths

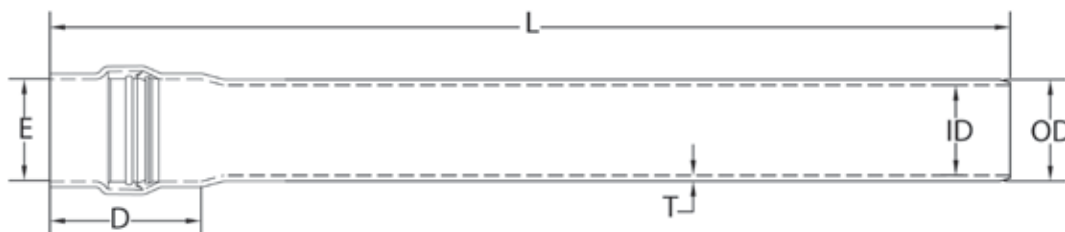


Conforms to UL 651 and NEMA TC-2

Part Number	Trade Size	Length	Lay Length	Pack Qty.	Feet per Truckload	Wt. per 100 ft. (Lbs.)	Min. Bend Radius (ft.)	Insertion Force (Lbs.)	Seal Pressure Rating (Lbs.)	Joined Pull Rating (Lbs.)	Typical Crush (Lbs. @ 30% deflection)	UL 651 / NEMA TC2 Min. Crush (Lbs)
A30EA42	4	20	19.5	520	14,560	234	65	70	75	10,000	1,075	900
A30GA42	6	20	19.5	400	8,000	456	65	100	75	14,000	950	850

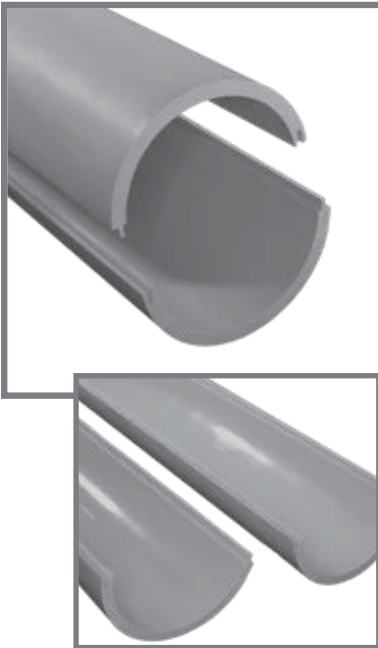
Part Number	Size	Description	T Min	OD	ID Min	E	D Min	L Min
A30EA42	4	CAN>GRIP™	.237	4.500	3.961	4.515	6.000	240
A30GA42	6	CAN>GRIP™	.280	6.625	5.986	6.658	7.000	240

Dimensions are nominal



Rigid Nonmetallic Schedule 40 Split Duct and Split Sleeve Couplings

Schedule 40 Split Duct - 10' Lengths



CANTEX Schedule 40 Split Duct PVC Conduit enables fast and easy repairs of damaged conduit in existing installations without cutting or splicing of cable.

- Tongue and groove interlocking design
- Nonmetallic PVC which is corrosion, rust and sunlight resistant
- Conforms to UL651 and NEMA TC-2
- No reel removal hassles
- Rated for use with 90-degree C conductors
- Made in USA

This product is not UL Listed
Dimensions conform to UL 651 Specification

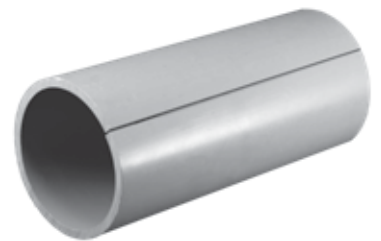
Part No.	Size	OD	ID	Wall Thickness	Length
A52CAZS	2	2.375 ±.006	2.021	.154	120
A52DAZS	3	3.500 ±.008	3.008	.216	120
A52EAZS	4	4.500 ±.074	3.961	.237	120
A52FAZS	5	5.563 ±.010	4.975	.258	120
A52GAZS	6	6.623 ±.011	5.986	.280	120

Dimensions are nominal

Schedule 40 Split Sleeve Coupling (Fabricated)

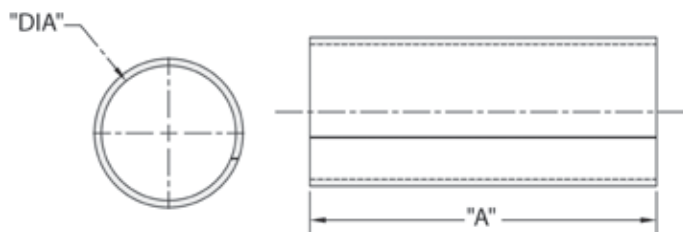
CANTEX Schedule 40 Split Sleeve Coupling is used for joining Split Duct to existing duct when repairing broken or damaged conduit and wires are present.

- For use with Schedule 40 and Schedule 80 conduit
- Side split to enable installation without cutting existing wire or cables
- For use aboveground and underground
- Fabricated from Schedule 40 conduit
- Made in USA



Part No.	Size	Package Qty.	"DIA"	"A"
6141684	2	25	2.375	6.125
6141685	3	25	3.500	6.188
6141690	4	15	4.563	6.250
6141692	5	8	5.625	8.875
6141693	6	4	6.563	10.125

Dimensions are nominal



Schedule 40 90° Elbow - Plain End

Part Number	Trade Size	Carton Qty	"R"	"O"	"H"	"S" MIN	"L"
5133823	1/2	50	4.000	4.000	4.000	1.500	6.250
5133824	3/4	35	4.500	4.500	4.500	1.500	7.125
5133825	1	20	5.750	5.750	5.750	1.875	9.000
5133826	1-1/4	30	7.250	7.250	7.250	2.000	11.375
5133827	1-1/2	30	8.250	8.250	8.250	2.000	13.000
5133828	2	15	9.500	9.500	9.500	2.000	15.000
5133829	2-1/2	18	10.500	10.500	10.500	3.000	16.500
5133830	3	14	13.000	13.000	13.000	3.125	20.375
5133831	3-1/2	12	15.000	15.000	15.000	3.250	23.500
5133832	4	10	16.000	16.000	16.000	3.375	25.125
5133835	5	30*	24.000	24.000	24.000	3.625	37.625
5133834	6	25*	30.000	30.000	30.000	3.750	47.125

* Pallet Quantity

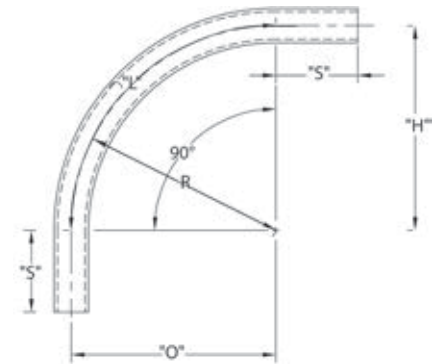
Dimensions are nominal

Conforms to UL651 and NEMA TC3
Material is Rigid PVC
Bend Tolerance is $\pm 2^\circ$

CANTEX 90-Degree Plain End Schedule 40 Standard Radius Elbows are used to change the direction of a conduit run by 90 degrees.



- Schedule 40 PVC construction for strength and durability
- For indoor or outdoor use
- Suitable for aboveground or buried
- Plain end connections are solvent weld
- ETL Listed
- Made in USA



Schedule 40 45° Elbow - Plain End

Part Number	Trade Size	Carton Qty.	"R"	"O"	"H"	"S" MIN	"L"
5133763	1/2	50	4.000	1.188	2.875	1.500	3.125
5133764	3/4	25	4.500	1.313	3.188	1.500	3.500
5133765	1	20	5.750	1.688	4.000	1.875	4.500
5133766	1-1/4	25	7.250	2.125	5.125	2.000	5.688
5133767	1-1/2	20	8.250	2.375	5.875	2.000	6.500
5133768	2	10	9.500	2.813	6.750	2.000	7.500
5133769	2-1/2	20	10.500	2.563	7.375	3.000	8.250
5133770	3	8	13.000	3.813	9.188	3.125	10.250
5133771	3-1/2	5	15.000	4.375	10.625	3.250	11.875
5133772	4	20	16.000	4.688	11.438	3.375	12.625
5133773	5	30*	24.00	7.000	17.000	3.625	18.875
5133774	6	25*	30.000	8.813	21.250	3.750	22.875

* Pallet Quantity

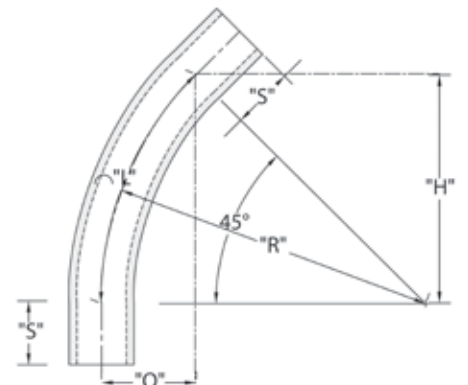
Dimensions are nominal

Conforms to UL651 and NEMA TC3
Material is Rigid PVC
Bend Tolerance is $\pm 2^\circ$

CANTEX 45-Degree Plain End Schedule 40 Standard Radius Elbows are used to change the direction of a conduit run by 45 degrees.



- Schedule 40 PVC construction for strength and durability
- For indoor or outdoor use
- Suitable for aboveground or buried
- Plain end connections are solvent weld
- ETL Listed
- Made in USA

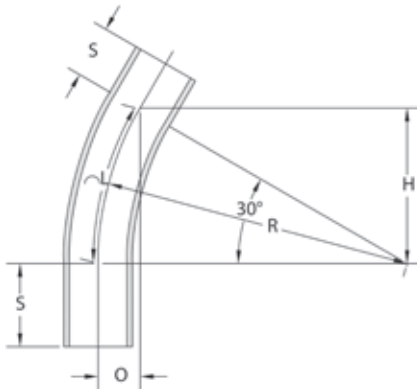


Schedule 40 30° Elbow - Plain End



CANTEX 30-Degree Plain End Schedule 40 Standard Radius Elbows are used to change the direction of a conduit run by 30 degrees.

- Schedule 40 PVC construction for strength and durability
- For indoor or outdoor use
- Suitable for aboveground or buried
- Plain end connections are solvent weld
- ETL Listed
- Made in USA



Part Number	Trade Size	Carton Qty.	"R"	"O"	"H"	"S" MIN	"L"
5133755	1/2	50	4.000	.500	2.000	1.500	2.125
5133744	3/4	25	4.500	.625	2.250	1.500	2.375
5133745	1	20	5.750	.750	2.875	1.875	3.000
5133746	1-1/4	25	7.250	1.000	3.625	2.000	3.813
5133747	1-1/2	20	8.250	1.063	4.125	2.000	4.313
5133748	2	10	9.500	1.250	4.750	2.000	5.000
5133749	2-1/2	20	10.500	1.438	5.250	3.000	5.500
5133750	3	8	13.000	1.750	6.500	3.125	6.813
5133751	3-1/2	5	15.000	2.000	7.563	3.250	7.875
5133775	4	20	16.000	2.063	8.000	3.375	8.375
5133753	5	30*	24.000	3.188	12.000	3.625	12.563
5133754	6	25*	30.000	4.000	15.000	3.750	15.688

* Pallet Quantity

Dimensions are nominal

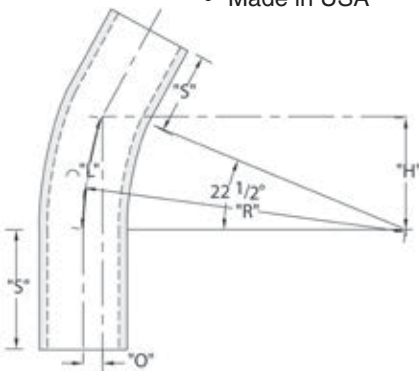
Conforms to UL651 and NEMA TC3
 Material is Rigid PVC
 Bend Tolerance is $\pm 2^\circ$

Schedule 40 22-1/2° Elbow - Plain End



CANTEX 22-1/2-Degree Plain End Schedule 40 Standard Radius Elbows are used to change the direction of a conduit run by 22-1/2 degrees.

- Schedule 40 PVC construction for strength and durability
- For indoor or outdoor use
- Suitable for aboveground or buried
- Plain end connections are solvent weld
- ETL Listed
- Made in USA



Part Number	Trade Size	Carton Qty.	"R"	"O"	"H"	"S" MIN	"L"
5136403	1-1/4	25	7.250	.563	2.750	2.000	2.875
5134094	1-1/2	25	8.250	.625	3.125	2.000	3.250
5134067	2	10	9.500	.750	3.625	2.000	3.750
5134096	2-1/2	20	10.500	.813	4.000	3.000	4.125
5134068	3	8	13.000	1.000	5.000	3.125	5.125
5134095	3-1/2	5	15.000	1.125	5.750	3.250	5.875
5133757	4	20	16.000	1.250	6.125	3.375	6.250
5134037	5	60*	24.000	1.813	9.188	3.625	9.375
5133901	6	50*	30.000	2.250	11.500	3.750	11.750

* Pallet Quantity

Dimensions are nominal

Conforms to UL651 and NEMA TC3
 Material is Rigid PVC
 Bend Tolerance is $\pm 2^\circ$

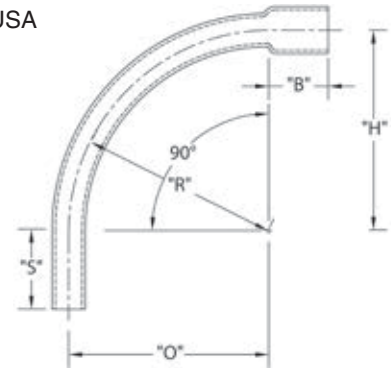
Schedule 40 90° Elbow - Bell End

Part Number	Trade Size	Carton Qty.	"R"	"O"	"H"	"S" MIN	"B" MIN	"L"
5233823	1/2	50	4.000	4.000	4.000	1.500	1.000	6.250
5233824	3/4	35	4.500	4.500	4.500	1.500	1.500	7.125
5233825	1	20	5.750	5.75	5.75	1.875	1.500	9.000
5233826	1-1/4	30	7.250	7.250	7.250	2.000	1.500	11.375
5233827	1-1/2	30	8.250	8.250	8.250	2.000	2.000	13.000
5233828	2	15	9.500	9.500	9.500	2.000	2.000	15.000
5233829	2-1/2	18	10.500	10.500	10.500	3.000	2.250	16.500
5233830	3	14	13.000	13.000	13.000	3.125	2.500	20.375
5233831	3-1/2	12	15.000	15.000	15.000	3.250	3.250	23.500
5233832	4	10	16.000	16.000	16.000	3.375	3.250	25.125
5233835	5	30*	24.000	24.000	24.000	3.625	4.250	37.625
5233834	6	25*	30.000	30.000	30.000	3.750	5.000	47.125

CANTEX 90-Degree Bell End Schedule 40 Standard Radius Elbows are used to change the direction of a conduit run by 90 degrees.



- Schedule 40 PVC construction for strength and durability
- For indoor or outdoor use
- Suitable for aboveground or buried
- Bell end for easy installation
- ETL Listed
- Made in USA



* Pallet Quantity

Dimensions are nominal

Conforms to UL651 and NEMA TC3
Material is Rigid PVC
Bend Tolerance is $\pm 2^\circ$

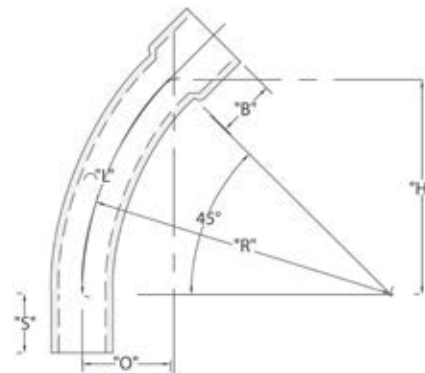
Schedule 40 45° Elbow - Bell End

Part Number	Trade Size	Carton Qty.	"R"	"O"	"H"	"S" MIN	"B" MIN	"L"
5233763	1/2	50	4.000	1.188	2.813	1.500	1.000	3.125
5233764	3/4	25	4.500	1.313	3.188	1.500	1.500	3.500
5233765	1	20	5.750	1.688	4.063	1.875	1.500	4.500
5233766	1-1/4	25	7.250	2.125	5.125	2.000	1.500	5.688
5233767	1-1/2	25	8.250	2.438	5.813	2.000	2.000	6.500
5233768	2	10	9.500	2.813	6.750	2.000	2.000	7.500
5233769	2-1/2	20	10.500	3.063	7.438	3.000	2.250	8.250
5233770	3	8	13.000	3.813	9.188	3.500	2.500	10.188
5233771	3-1/2	5	15.000	4.375	10.625	3.250	3.250	11.813
5233772	4	20	16.000	4.688	11.188	3.375	3.250	12.563
5233773	5	30*	24.000	7.000	17.000	3.625	4.250	18.875
5233774	6	25*	30.000	8.875	21.250	3.750	5.000	23.563

CANTEX 45-Degree Bell End Schedule 40 Standard Radius Elbows are used to change the direction of a conduit run by 45 degrees.



- Schedule 40 PVC construction for strength and durability
- For indoor or outdoor use
- Suitable for aboveground or buried
- Bell end for easy installation
- ETL Listed
- Made in USA



* Pallet Quantity

Dimensions are nominal

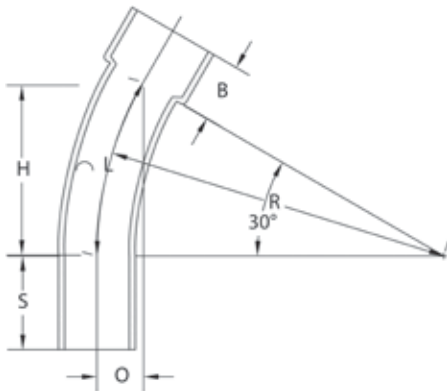
Conforms to UL651 and NEMA TC3
Material is Rigid PVC
Bend Tolerance is $\pm 2^\circ$

Schedule 40 30° Elbow - Bell End



CANTEX 30-Degree Bell End Schedule 40 Standard Radius Elbows are used to change the direction of a conduit run by 30 degrees.

- Schedule 40 PVC construction for strength and durability
- For indoor or outdoor use
- Suitable for aboveground or buried
- Bell end for easy installation
- ETL Listed
- Made in USA



Part Number	Trade Size	Carton Qty.	"R"	"O"	"H"	"S" MIN	"B" MIN	"L"
5233748	2	10	9.500	1.250	4.750	2.000	2.000	5.000
5233750	3	8	13.000	1.750	6.500	3.125	2.500	6.813
5233751	3-1/2	5	15.000	2.000	7.563	3.250	3.250	7.875
5233776	4	20	16.000	2.063	8.000	3.375	3.250	8.375
5233753	5	30*	24.000	3.188	12.000	3.625	4.250	12.563
5233754	6	50*	30.000	4.000	15.000	3.750	5.00	15.688

* Pallet Quantity

Dimensions are nominal

Additional sizes are available. Call for information.

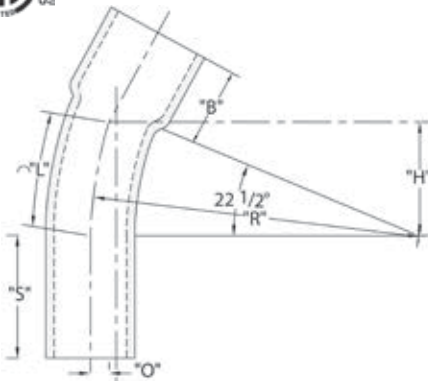
Conforms to UL651 and NEMA TC3
 Material is Rigid PVC
 Bend Tolerance is $\pm 2^\circ$

Schedule 40 22-1/2° Elbow - Bell End



CANTEX 22-1/2-Degree Bell End Schedule 40 Standard Radius Elbows are used to change the direction of a conduit run by 22-1/2 degrees.

- Schedule 40 PVC construction for strength and durability
- For indoor or outdoor use
- Suitable for aboveground or buried
- Bell end for easy installation
- ETL Listed
- Made in USA



Part Number	Trade Size	Carton Qty.	"R"	"O"	"H"	"S" MIN	"B" MIN	"L"
5234097	3/4	25	4.500	.375	1.750	1.500	1.500	1.750
5236402	1	20	5.750	.313	2.188	1.875	1.500	2.250
5236403	1-1/4	25	7.250	.563	2.750	2.000	1.500	2.875
5234094	1-1/2	20	8.250	.625	3.125	2.000	2.000	3.250
5234067	2	10	9.500	.750	3.625	2.000	2.000	3.750
5234096	2-1/2	10	10.500	.813	4.000	3.000	2.250	4.125
5234068	3	8	13.000	1.000	5.000	3.125	2.500	5.125
5234095	3-1/2	5	15.000	1.125	5.750	3.250	3.250	5.875
5233867	4	20	16.000	1.250	6.125	3.375	3.250	6.250
5234037	5	60*	24.000	1.813	9.188	3.625	4.250	9.375
5233901	6	50*	30.000	2.250	11.500	3.750	5.000	11.750

* Pallet Quantity

Dimensions are nominal

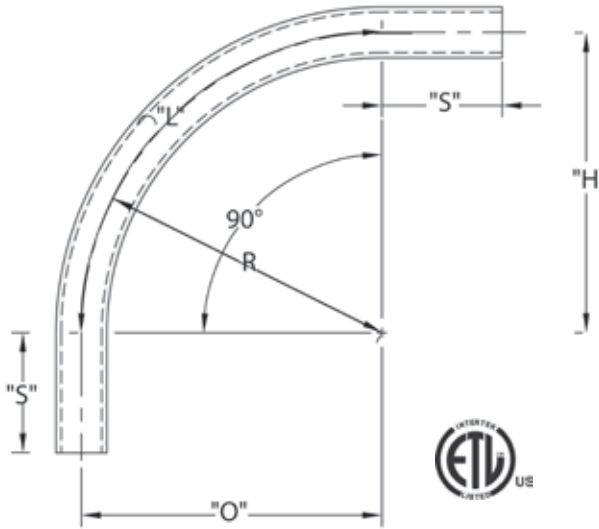
Conforms to UL651 and NEMA TC3
 Material is Rigid PVC
 Bend Tolerance is $\pm 2^\circ$

Schedule 40 Elbows - Special Radius

Additional sizes are available as non-stock items. Call for specifications and quotes.



Schedule 40 90° Elbow Special Radius - Plain End



CANTEX Special Radius Plain End Schedule 40 90-Degree Elbows are used to change the direction of a conduit run by 90 degrees when special radiuses are needed.

- Schedule 40 PVC construction for strength and durability
- For indoor or outdoor use
- Suitable for aboveground or buried
- Plain end connections are solvent weld
- ETL Listed
- Made in USA

Schedule 40 90° Elbow 18" Radius Plain End

Part Number	Trade Size	"R"	"O"	"H"	"S" MIN	"L"
5133846	1	18	18	18	1.875	28.250
5133923	1-1/4	18	18	18	2.000	28.250
5133839	1-1/2	18	18	18	2.000	28.250
5133844	2	18	18	18	2.000	28.250
5133856	2-1/2	18	18	18	3.000	28.250
5133858	3	18	18	18	3.125	28.250

Dimensions are nominal

Schedule 40 90° Elbow 30" Radius Plain End

Part Number	Trade Size	"R"	"O"	"H"	"S" MIN	"L"
5134147	3/4	30	30	30	1.500	47.125
5136340	1	30	30	30	1.875	47.125
5133878	1-1/4	30	30	30	2.000	47.125
5133921	1-1/2	30	30	30	2.000	47.125
5133920	2	30	30	30	2.000	47.125
5133981	2-1/2	30	30	30	3.000	47.125
5133867	3	30	30	30	3.125	47.125
5133948	3-1/2	30	30	30	3.250	47.125
5133850	4	30	30	30	3.375	47.125
5133872	5	30	30	30	3.625	47.125

Dimensions are nominal

Schedule 40 90° Elbow 24" Radius Plain End

Part Number	Trade Size	"R"	"O"	"H"	"S" MIN	"L"
5133934	3/4	24	24	24	1.500	37.750
5133859	1	24	24	24	1.875	37.750
5133883	1-1/4	24	24	24	2.000	37.750
5133873	1-1/2	24	24	24	2.000	37.750
5133836	2	24	24	24	2.000	37.750
5133847	2-1/2	24	24	24	3.000	37.750
5133837	3	24	24	24	3.125	37.750
5133893	3-1/2	24	24	24	3.250	37.750
5133822	4	24	24	24	3.375	37.750

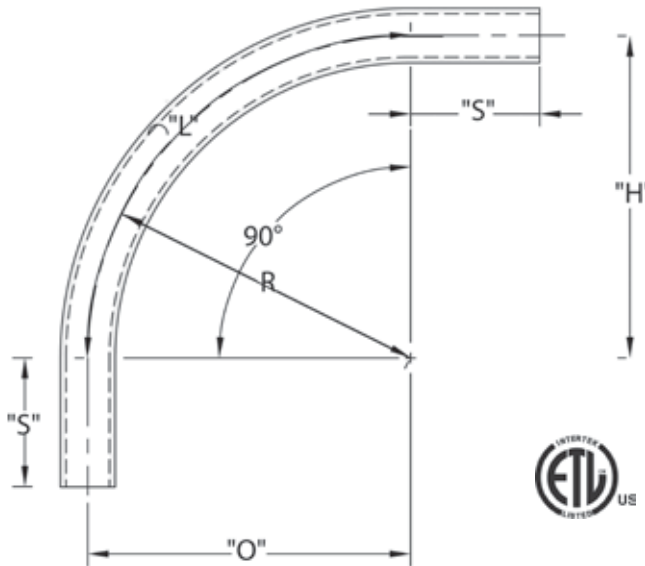
Dimensions are nominal

Schedule 40 90° Elbow 36" Radius Plain End

Part Number	Trade Size	"R"	"O"	"H"	"S" MIN	"L"
5133949	3/4	36	36	36	1.500	56.500
5133852	1	36	36	36	1.875	56.500
5133884	1-1/4	36	36	36	2.000	56.500
5133866	1-1/2	36	36	36	2.000	56.500
5133848	2	36	36	36	2.000	56.500
5133857	2-1/2	36	36	36	3.000	56.500
5133820	3	36	36	36	3.125	56.500
5133818	3-1/2	36	36	36	3.250	56.500
5133821	4	36	36	36	3.375	56.500
5133841	5	36	36	36	3.625	56.500
5133877	6	36	36	36	3.750	56.500

Dimensions are nominal

Schedule 40 90° Elbow Special Radius - Plain End



CANTEX Special Radius Plain End Schedule 40 90-Degree Special Radius Elbows are used to change the direction of a conduit run by 90 degrees when special radiuses are needed.

- Schedule 40 PVC construction for strength and durability
- For indoor or outdoor use
- Suitable for aboveground or buried
- Plain end connections are solvent weld
- ETL Listed Conforms to UL651 and NEMA TC3
- Made in USA

Schedule 40 90° Elbow 48" Radius Plain End

Part Number	Trade Size	"R"	"O"	"H"	"S" MIN	"L"
5133864	1	48	48	48	1.875	75.375
5133871	1-1/4	48	48	48	2.000	75.375
5133865	1-1/2	48	48	48	2.000	75.375
5133876	2	48	48	48	2.000	75.375
5133849	2-1/2	48	48	48	3.000	75.375
5133817	3	48	48	48	3.125	75.375
5133892	3-1/2	48	48	48	3.250	75.375
5133843	4	48	48	48	3.375	75.375
5133842	5	48	48	48	3.625	75.375
5133816	6	48	48	48	3.750	75.375
5133993D*	8	48	48	48	6.625	75.375

*Not ETL listed

Dimensions are nominal

Schedule 40 90° Elbow 60" Radius Plain End

Part Number	Trade Size	"R"	"O"	"H"	"S" MIN	"L"
5133786	2	60	60	60	2.000	94.250
5134046	2-1/2	60	60	60	3.000	94.250
5133819	3	60	60	60	3.125	94.250
5133925	3-1/2	60	60	60	3.250	94.250
5133854	4	60	60	60	3.375	94.250
5133885	5	60	60	60	3.625	94.250
5133886	6	60	60	60	3.750	94.250

Dimensions are nominal

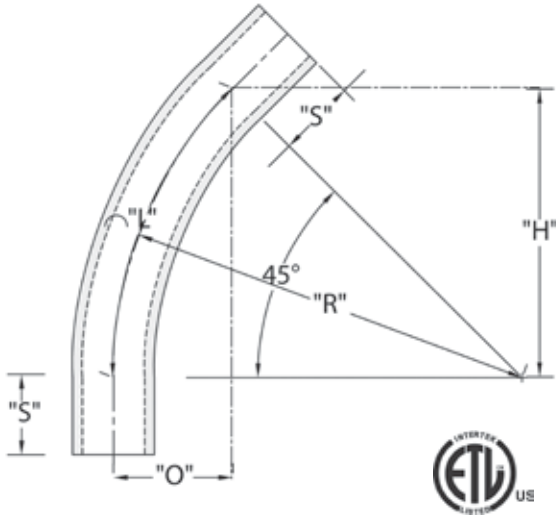
If you don't see the size you need, additional sizes of special radius elbows are available as non-stocked items. Call for specifications and quotes.

Schedule 40 Elbows - Special Radius

Additional sizes are available as non-stock items. Call for specifications and quotes.



Schedule 40 45° Elbow Special Radius - Plain End



CANTEX 45-Degree Plain End Schedule 40 Special Radius Elbows are used to change the direction of a conduit run by 45 degrees when special radiuses are needed.

- Schedule 40 PVC construction for strength and durability
- For indoor or outdoor use
- Suitable for aboveground or buried
- Plain end connections are solvent weld
- ETL Listed Conforms to UL651 and NEMA TC3
- Made in USA

Schedule 40 45° Elbow 18" Radius Plain End

Part Number	Trade Size	"R"	"O"	"H"	"S" MIN	"L"
5134008	1	18.000	5.250	12.75	1.875	14.125
5136344	1-1/4	18.000	5.250	12.75	2.000	14.125
5133840	1-1/2	18.000	5.250	12.75	2.000	14.125
5133797	2	18.000	5.250	12.75	2.000	14.125
5133973	2-1/2	18.000	5.250	12.75	3.000	14.125
5133799	3	18.000	5.250	12.75	3.125	14.125

Dimensions are nominal

Schedule 40 45° Elbow 30" Radius Plain End

Part Number	Trade Size	"R"	"O"	"H"	"S" MIN	"L"
5136341	1	30.000	8.688	21.250	1.875	23.56
5136348	1-1/2	30.000	8.688	21.250	2.000	23.56
5133918	2	30.000	8.688	21.250	2.000	23.56
5133896	2-1/2	30.000	8.688	21.250	3.000	23.56
5133897	3	30.000	8.688	21.250	3.125	23.56
5133953	4	30.000	8.688	21.250	3.375	23.56
5133954	5	30.000	8.688	21.250	3.625	23.56

Dimensions are nominal

Schedule 40 45° Elbow 24" Radius Plain End

Part Number	Trade Size	"R"	"O"	"H"	"S" MIN	"L"
5133933	3/4	24.000	17.000	7.000	1.500	18.875
5133875	1	24.000	17.000	7.000	1.875	18.875
5133941	1-1/4	24.000	17.000	7.000	2.000	18.875
5133874	1-1/2	24.000	17.000	7.000	2.000	18.875
5133815	2	24.000	17.000	7.000	2.000	18.875
5133935	2-1/2	24.000	17.000	7.000	3.000	18.875
5133800	3	24.000	17.000	7.000	3.125	18.875
5133802	3-1/2	24.000	17.000	7.000	3.250	18.875
5133812	4	24.000	17.000	7.000	3.375	18.875

Dimensions are nominal

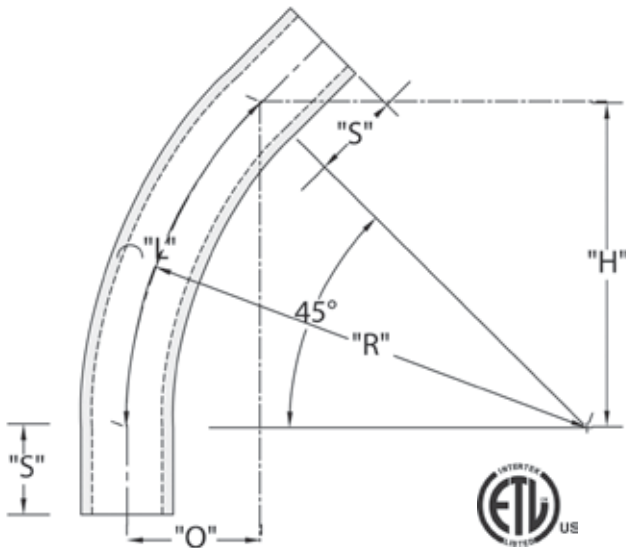
Schedule 40 45° Elbow 36" Radius Plain End

Part Number	Trade Size	"R"	"O"	"H"	"S" MIN	"L"
5133950	3/4	36.000	10.500	25.500	1.500	28.250
5133919	1	36.000	10.500	25.500	1.875	28.250
5133956	1-1/4	36.000	10.500	25.500	2.000	28.250
5133810	1-1/2	36.000	10.500	25.500	2.000	28.250
5133778	2	36.000	10.500	25.500	2.000	28.250
5133801	2-1/2	36.000	10.500	25.500	3.000	28.250
5133779	3	36.000	10.500	25.500	3.125	28.250
5133939	3-1/2	36.000	10.500	25.500	3.250	28.250
5133777	4	36.000	10.500	25.500	3.375	28.250
5133780	5	36.000	10.500	25.500	3.625	28.250
5133880	6	36.000	10.500	25.500	3.750	28.250
5133988D	8*	36.000	10.500	25.500	6.625	28.250

*Not ETL Listed

Dimensions are nominal

Schedule 40 45° Elbow Special Radius - Plain End



CANTEX 45-Degree Plain End Schedule 40 Special Radius Elbows are used to change the direction of a conduit run by 45 degrees when special radiuses are needed.

- Schedule 40 PVC construction for strength and durability
- For indoor or outdoor use
- Suitable for aboveground or buried
- Plain end connections are solvent weld
- ETL Listed Conforms to UL651 and NEMA TC3
- Made in USA

Schedule 40 45° Elbow 48" Radius Plain End

Part Number	Trade Size	"R"	"O"	"H"	"S" MIN	"L"
5133940	1	48.000	14.000	34.000	1.875	37.700
5133942	1-1/4	48.000	14.000	34.000	2.000	37.700
5133811	1-1/2	48.000	14.000	34.000	2.000	37.700
5133798	2	48.000	14.000	34.000	2.000	37.700
5134010	2-1/2	48.000	14.000	34.000	3.000	37.700
5133781	3	48.000	14.000	34.000	3.125	37.700
5133979	3-1/2	48.000	14.000	34.000	3.250	37.700
5133776	4	48.000	14.000	34.000	3.375	37.700
5133814	5	48.000	14.000	34.000	3.625	37.700
5133813	6	48.000	14.000	34.000	3.750	37.700
5133989D	8*	48.000	14.000	34.000	6.625	37.700

*Not ETL Listed

Dimensions are nominal

Schedule 40 45° Elbow 60" Radius Plain End

Part Number	Trade Size	"R"	"O"	"H"	"S" MIN	"L"
5133808	2	60.000	17.625	34.000	2.000	47.125
5134006	3	60.000	17.625	34.000	3.125	47.125
5133946	4	60.000	17.625	34.000	3.375	47.125
5133947	5	60.000	17.625	34.000	3.625	47.125
5133806	6	60.000	17.625	34.000	6.750	47.125
5133980	8	60.000	17.625	34.000	6.625	47.125

Dimensions are nominal

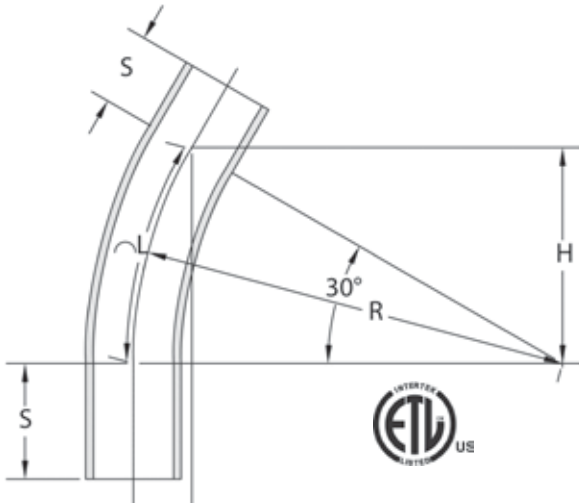
If you don't see the size you need, additional sizes of special radius elbows are available as non-stocked items. Call for specifications and quotes.

Schedule 40 Elbows - Special Radius

Additional sizes are available as non-stock items. Call for specifications and quotes.



Schedule 40 30° Elbow Special Radius - Plain End



CANTEX 30-Degree Plain End Schedule 40 Special Radius Elbows are used to change the direction of a conduit run by 30 degrees when special radiuses are needed.

- Schedule 40 PVC construction for strength and durability
- For indoor or outdoor use
- Suitable for aboveground or buried
- Plain end connections are solvent weld
- ETL Listed Conforms to UL651 and NEMA TC3
- Made in USA

Schedule 40 30° Elbow 18" Radius Plain End

Part Number	Trade Size	"R"	"O"	"H"	"S" MIN	"L"
5133916	1	18.000	2.438	9.063	1.875	9.438
5133794	1-1/4	18.000	2.438	9.063	2.000	9.438
5133917	1-1/2	18.000	2.438	9.063	2.000	9.438
5133789	2	18.000	2.438	9.063	2.000	9.438
5133752	2-1/2	18.000	2.438	9.063	3.000	9.438
5133969	3	18.000	2.438	9.063	3.125	9.438

Dimensions are nominal

Schedule 40 30° Elbow 36" Radius Plain End

Part Number	Trade Size	"R"	"O"	"H"	"S" MIN	"L"
5136347	1-1/4	36.000	4.813	18.000	2.000	18.875
5133974	1-1/2	36.000	4.813	18.000	2.000	18.875
5133792	2	36.000	4.813	18.000	2.000	18.875
5133807	2-1/2	36.000	4.813	18.000	3.000	18.875
5133793	3	36.000	4.813	18.000	3.125	18.875
5133938	3-1/2	36.000	4.813	18.000	3.250	18.875
5133790	4	36.000	4.813	18.000	3.375	18.875
5133931	5	36.000	4.813	18.000	3.625	18.875
5133791	6	36.000	4.813	18.000	3.750	18.875

Dimensions are nominal

Schedule 40 30° Elbow 24" Radius Plain End

Part Number	Trade Size	"R"	"O"	"H"	"S" MIN	"L"
5136435	1	24.000	3.188	12.000	1.875	12.563
5133913	1-1/4	24.000	3.188	12.000	2.000	12.563
5133803	1-1/2	24.000	3.188	12.000	2.000	12.563
5133796	2	24.000	3.188	12.000	2.000	12.563
5133957	2-1/2	24.000	3.188	12.000	3.000	12.563
5133958	3	24.000	3.188	12.000	3.125	12.563
5136439	3-1/2	24.000	3.188	12.000	3.250	12.563
5133788	4	24.000	3.188	12.000	3.375	12.563

Dimensions are nominal

Schedule 40 30° Elbow 48" Radius Plain End

Part Number	Trade Size	"R"	"O"	"H"	"S" MIN	"L"
5136343	1	48.000	6.438	24.000	1.875	25.125
5133943	1-1/4	48.000	6.438	24.000	2.000	25.125
5133982	1-1/2	48.000	6.438	24.000	2.000	25.125
5133805	2	48.000	6.438	24.000	2.000	25.125
5133809	3	48.000	6.438	24.000	3.125	25.125
5134026	3-1/2	48.000	6.438	24.000	3.250	25.125
5133838	4	48.000	6.438	24.000	3.375	25.125
5133959	5	48.000	6.438	24.000	3.625	25.125
5133861	6	48.000	6.438	24.000	3.750	25.125

Dimensions are nominal

Schedule 40 30° Elbow 30" Radius Plain End

Part Number	Trade Size	"R"	"O"	"H"	"S" MIN	"L"
5136495	3	30.000	4.000	15.000	3.125	15.688
5133898	4	30.000	4.000	15.000	3.375	15.688

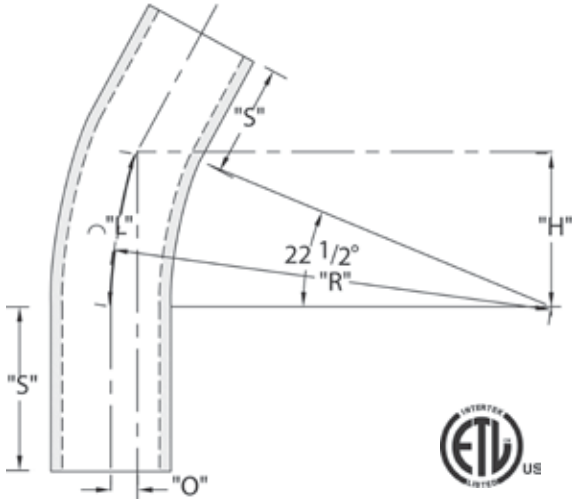
Dimensions are nominal

Schedule 40 30° Elbow 60" Radius Plain End

Part Number	Trade Size	"R"	"O"	"H"	"S" MIN	"L"
5134162	2	60	8.063	30.000	2.000	31.438
5136496	3	60	8.063	30.000	3.125	31.438
5133999	4	60	8.063	30.000	3.375	31.438
5133962	5	60	8.063	30.000	3.625	31.438
5133782	6	60	8.063	30.000	3.750	31.438

Dimensions are nominal

Schedule 40 22-1/2° Elbow Special Radius - Plain End



CANTEX 22-1/2-Degree Plain End Schedule 40 Special Radius Elbows are used to change the direction of a conduit run by 22-1/2 degrees when special radiuses are needed.

- Schedule 40 PVC construction for strength and durability
- For indoor or outdoor use
- Suitable for aboveground or buried
- Plain end connections are solvent weld
- ETL Listed Conforms to UL651 and NEMA TC3
- Made in USA

Schedule 40 22-1/2° Elbow 18" Radius Plain End

Part Number	Trade Size	"R"	"O"	"H"	"S" MIN	"L"
5133944	1	18.000	1.375	6.875	1.875	7.063
5136424	1-1/4	18.000	1.375	6.875	2.000	7.063
5133908	1-1/2	18.000	1.375	6.875	2.000	7.063
5133879	2	18.000	1.375	6.875	2.000	7.063
5133936	2-1/2	18.000	1.375	6.875	3.000	7.063
5133845	3	18.000	1.375	6.875	3.125	7.063

Dimensions are nominal

Schedule 40 22-1/2° Elbow 24" Radius Plain End

Part Number	Trade Size	"R"	"O"	"H"	"S" MIN	"L"
5136420	1	24.000	1.813	9.188	1.875	9.438
5136425	1-1/4	24.000	1.813	9.188	2.000	9.438
5136428	1-1/2	24.000	1.813	9.188	2.000	9.438
5133915	2	24.000	1.813	9.188	2.000	9.438
5134019	2-1/2	24.000	1.813	9.188	3.000	9.438
5133903	3	24.000	1.813	9.188	3.125	9.438
5133902	3-1/2	24.000	1.813	9.188	3.250	9.438
5133869	4	24.000	1.813	9.188	3.375	9.438

Dimensions are nominal

Schedule 40 22-1/2° Elbow 30" Radius Plain End

Part Number	Trade Size	"R"	"O"	"H"	"S" MIN	"L"
5136421	1	30.000	2.25	11.500	1.875	11.750
5136433	2-1/2	30.000	2.25	11.500	3.000	11.750
5133929	3	30.000	2.25	11.500	3.125	11.750
5133882	4	30.000	2.25	11.500	3.375	11.750
5133900	5	30.000	2.25	11.500	3.625	11.750

Dimensions are nominal

Schedule 40 22-1/2° Elbow 36" Radius Plain End

Part Number	Trade Size	"R"	"O"	"H"	"S" MIN	"L"
5133975	1	36.000	2.750	13.750	1.875	14.125
5133997	1-1/4	36.000	2.750	13.750	2.000	14.125
5134103	1-1/2	36.000	2.750	13.750	2.000	14.125
5133851	2	36.000	2.750	13.750	2.000	14.125
5133937	2-1/2	36.000	2.750	13.750	3.000	14.125
5133904	3	36.000	2.750	13.750	3.125	14.125
5136437	3-1/2	36.000	2.750	13.750	3.250	14.125
5133853	4	36.000	2.750	13.750	3.375	14.125
5133881	5	36.000	2.750	13.750	3.625	14.125
5133905	6	36.000	2.750	13.750	3.750	14.125

Dimensions are nominal

Schedule 40 22-1/2° Elbow 48" Radius Plain End

Part Number	Trade Size	"R"	"O"	"H"	"S" MIN	"L"
5136431	1-1/2	48.000	3.625	1.375	3.000	18.875
5133984	2	48.000	3.625	1.375	3.125	18.875
5136434	2-1/2	48.000	3.625	1.375	3.000	18.875
5133971	3	48.000	3.625	1.375	3.250	18.875
5133932	4	48.000	3.625	1.375	3.625	18.875
5133930	5	48.000	3.625	1.375	3.750	18.875
5133862	6	48.000	3.625	1.375	6.625	18.875

Dimensions are nominal

Schedule 40 22-1/2° Elbow 60" Radius Plain End

Part Number	Trade Size	"R"	"O"	"H"	"S" MIN	"L"
5134012	4	60	4.563	23.000	3.375	23.563
5134020	5	60	4.563	23.000	3.625	23.563
5134065	6	60	4.563	23.000	3.750	23.563

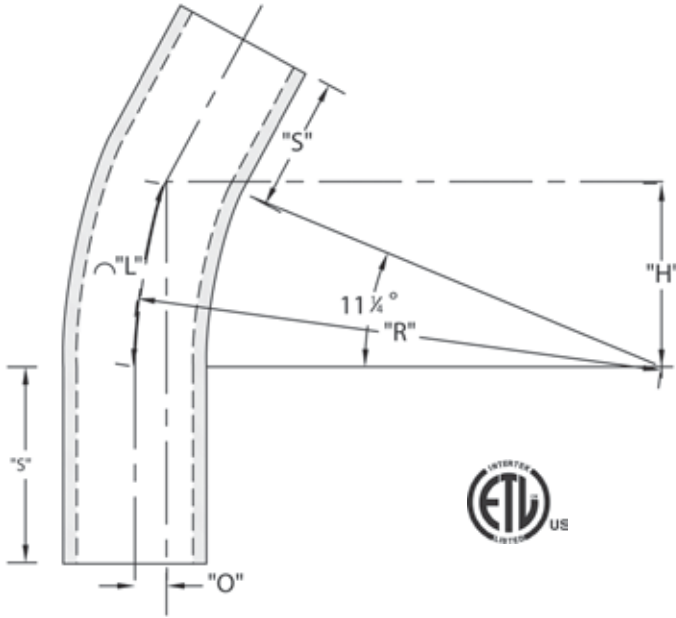
Dimensions are nominal

Schedule 40 Elbows - Special Radius

Additional sizes are available as non-stock items. Call for specifications and quotes.



Schedule 40 11-1/4° Elbow Special Radius - Plain End



CANTEX 11-1/4-Degree Plain End Schedule 40 Special Radius Elbows are used to change the direction of a conduit run by 11-1/4 degrees when special radiuses are needed.

- Schedule 40 PVC construction for strength and durability
- For indoor or outdoor use
- Suitable for aboveground or buried
- Plain end connections are solvent weld
- ETL Listed Conforms to UL651 and NEMA TC3
- Made in USA

Schedule 40 11-1/4° Elbow 18" Radius Plain End

Part Number	Trade Size	"R"	"O"	"H"	"S" MIN	"L"
5134034	2	18.000	.344	3.500	2.000	3.500
5134035	3	18.000	1.375	3.500	3.125	3.500

Dimensions are nominal

Schedule 40 11-1/4° Elbow 24" Radius Plain End

Part Number	Trade Size	"R"	"O"	"H"	"S" MIN	"L"
5134152	2	24.000	.469	9.188	2.000	1.688
5134036	3	24.000	.469	9.188	3.125	1.688
5133991	4	24.000	.469	9.188	3.250	1.688
5133965	5	24.000	.469	9.188	3.375	1.688

Dimensions are nominal

Schedule 40 11-1/4° Elbow 36" Radius Plain End

Part Number	Trade Size	"R"	"O"	"H"	"S" MIN	"L"
5133996	1-1/4	36.000	.688	7.000	2.000	7.063
5133963	2	36.000	.688	7.000	2.000	7.063
5134129	2-1/2	36.000	.688	7.000	3.000	7.063
5134082	3	36.000	.688	7.000	3.125	7.063
5133910	4	36.000	.688	7.000	3.375	7.063
5133914	5	36.000	.688	7.000	3.625	7.063
5133987	6	36.000	.688	7.000	3.750	7.063

Dimensions are nominal

Schedule 40 11-1/4° Elbow 48" Radius Plain End

Part Number	Trade Size	"R"	"O"	"H"	"S" MIN	"L"
5133998	1-1/4	48.000	.938	9.375	2.000	9.438
5134039	2-1/2	48.000	.938	9.375	3.000	9.438
5134083	3	48.000	.938	9.375	3.125	9.438
5133990	4	48.000	.938	9.375	3.375	9.438
5133977	5	48.000	.938	9.375	3.625	9.438
5134079	6	48.000	.938	9.375	3.750	9.438
5133907	8	48.000	.938	9.375	6.625	9.438

Dimensions are nominal

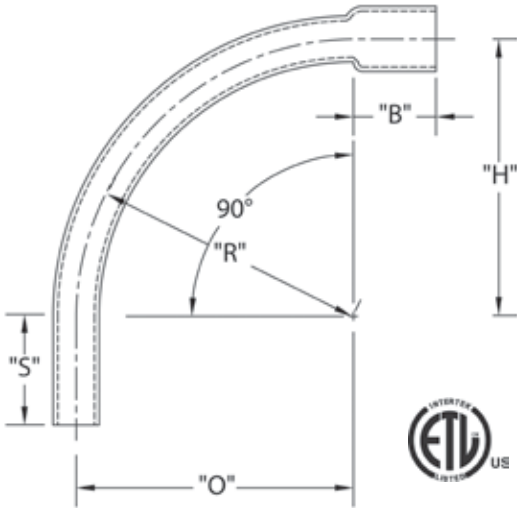
Schedule 40 11-1/4° Elbow 60" Radius Plain End

Part Number	Trade Size	"R"	"O"	"H"	"S" MIN	"L"
5134084	3	60	1.125	11.688	3.125	11.750
5134157	4	60	1.125	11.688	3.375	11.750
5133978	5	60	1.125	11.688	3.625	11.750
5134080	6	60	1.125	11.688	3.750	11.750

Dimensions are nominal

If you don't see the size you need, additional sizes of special radius elbows are available as non-stocked items. Call for specifications and quotes.

Schedule 40 90° Elbow Special Radius - Bell End



CANTEX Schedule 40 90-Degree Special Radius Bell End Elbows are used to change the direction of a conduit run by 90 degrees when special radiuses are needed.

- Schedule 40 PVC construction for strength and durability
- For indoor or outdoor use
- Suitable for aboveground or buried
- Bell end for easy installation
- ETL Listed
- Made in USA

Schedule 40 90° Elbow 30" Radius Bell End

Part Number	Trade Size	"R"	"O"	"H"	"S" MIN	"B" MIN	"L"
5233920	2	30.000	30.000	30.000	2.000	2.000	47.125
5233981	2-1/2	30.000	30.000	30.000	3.000	2.250	47.125
5234081	3	30.000	30.000	30.000	3.125	2.500	47.125
5233852	4	30.000	30.000	30.000	3.375	3.250	47.125
5233872	5	30.000	30.000	30.000	3.625	4.250	47.125

Dimensions are nominal

Schedule 40 90° Elbow 36" Radius Bell End

Part Number	Trade Size	"R"	"O"	"H"	"S" MIN	"B" MIN	"L"
5233855	1	36.000	36.000	36.000	1.875	1.500	56.500
5233884	1-1/4	36.000	36.000	36.000	2.000	1.500	56.500
5233866	1-1/2	36.000	36.000	36.000	2.000	2.000	56.500
5233848	2	36.000	36.000	36.000	2.000	2.000	56.500
5233857	2-1/2	36.000	36.000	36.000	3.000	2.250	56.500
5233930	3	36.000	36.000	36.000	3.125	2.500	56.500
5233818	3-1/2	36.000	36.000	36.000	3.250	3.250	56.500
5233842	4	36.000	36.000	36.000	3.375	3.250	56.500
5233841	5	36.000	36.000	36.000	3.625	4.250	56.500
5233877	6	36.000	36.000	36.000	3.750	5.000	56.500

Dimensions are nominal

Schedule 40 90° Elbow 18" Radius Bell End

Part Number	Trade Size	"R"	"O"	"H"	"S" MIN	"B" MIN	"L"
5233844	1	18.000	18.000	18.000	1.875	1.500	28.250
5233923	1-1/4	18.000	18.000	18.000	2.000	1.500	28.250
5233839	1-1/2	18.000	18.000	18.000	2.000	2.000	28.250
5233846	2	18.000	18.000	18.000	2.000	2.000	28.250
5233856	2-1/2	18.000	18.000	18.000	3.000	2.250	28.250
5233850	3	18.000	18.000	18.000	3.125	2.500	28.250
5233985	4	18.000	18.000	18.000	3.375	3.250	28.250

Dimensions are nominal

Schedule 40 90° Elbow 24" Radius Bell End

Part Number	Trade Size	"R"	"O"	"H"	"S" MIN	"B" MIN	"L"
5234099	3/4	24.000	24.000	24.000	1.500	1.500	37.688
5233859	1	24.000	24.000	24.000	1.875	1.500	37.688
5233883	1-1/4	24.000	24.000	24.000	2.000	1.500	37.688
5233873	1-1/2	24.000	24.000	24.000	2.000	2.000	37.688
5133924	2	24.000	24.000	24.000	2.000	2.000	37.688
5233847	2-1/2	24.000	24.000	24.000	3.000	2.250	37.688
5233837	3	24.000	24.000	24.000	3.125	2.500	37.688
5233893	3-1/2	24.000	24.000	24.000	3.250	3.250	37.688
5233822	4	24.000	24.000	24.000	3.375	3.250	37.688

Dimensions are nominal

Schedule 40 90° Elbow 48" Radius Bell End

Part Number	Trade Size	"R"	"O"	"H"	"S" MIN	"B" MIN	"L"
5236338	1	48.000	48.000	48.000	1.875	1.500	75.375
5234053	1-1/4	48.000	48.000	48.000	2.000	1.500	75.375
5233865	1-1/2	48.000	48.000	48.000	2.000	2.000	75.375
5233876	2	48.000	48.000	48.000	2.000	2.000	75.375
5233849	2-1/2	48.000	48.000	48.000	3.000	2.250	75.375
5233817	3	48.000	48.000	48.000	3.125	2.500	75.375
5233892	3-1/2	48.000	48.000	48.000	3.250	3.250	75.375
5233843	4	48.000	48.000	48.000	3.375	3.250	75.375
5233868	5	48.000	48.000	48.000	3.625	4.250	75.375
5233816	6	48.000	48.000	48.000	3.750	5.000	75.375

Dimensions are nominal

Schedule 40 90° Elbow 60" Radius Bell End

Part Number	Trade Size	"R"	"O"	"H"	"S" MIN	"B" MIN	"L"
5233786	2	60.000	60.000	60.000	2.000	2.000	94.250
5233819	3	60.000	60.000	60.000	3.125	2.500	94.250
5233854	4	60.000	60.000	60.000	3.375	3.250	94.250
5233885	5	60.000	60.000	60.000	3.625	4.250	94.250
5233886	6	60.000	60.000	60.000	3.750	5.000	94.250

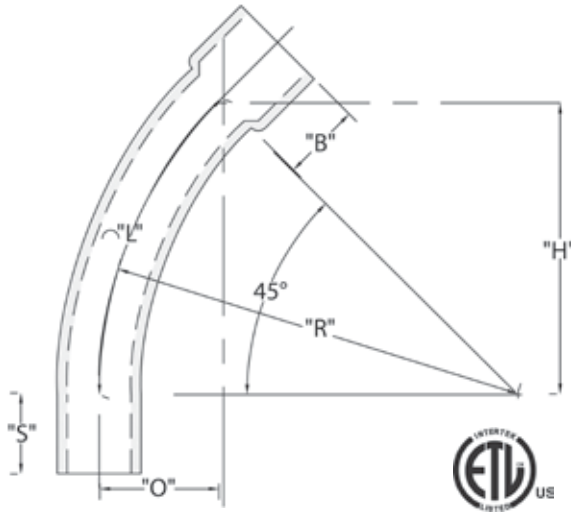
Dimensions are nominal

Schedule 40 Elbows - Special Radius

Additional sizes are available as non-stock items. Call for specifications and quotes.



Schedule 40 45° Elbow Special Radius - Bell End



CANTEX Schedule 40 45-Degree Special Radius Belled End Elbows are used to change the direction of a conduit run by 45 degrees when special radiuses are needed.

- Schedule 40 PVC construction for strength and durability
- For indoor or outdoor use
- Suitable for aboveground or buried
- Bell end for easy installation
- ETL Listed
- Made in USA

Schedule 40 45° Elbow 18" Radius Bell End

Part Number	Trade Size	"R"	"O"	"H"	"S" MIN	"B" MIN	"L"
5234008	1	18.000	5.250	12.750	1.875	1.500	14.125
5233797	2	18.000	5.250	12.750	2.000	2.000	14.125
5233973	2-1/2	18.000	5.250	12.750	3.000	2.250	14.125
5233799	3	18.000	5.250	12.750	3.125	2.500	14.125

Dimensions are nominal

Schedule 40 45° Elbow 36" Radius Bell End

Part Number	Trade Size	"R"	"O"	"H"	"S" MIN	"B" MIN	"L"
5233919	1	36.000	10.500	25.438	1.875	1.500	28.250
5234083	1-1/2	36.000	10.500	25.438	2.000	2.000	28.250
5233778	2	36.000	10.500	25.438	2.000	2.000	28.250
5233801	2-1/2	36.000	10.500	25.438	3.000	2.250	28.250
5233779	3	36.000	10.500	25.438	3.125	2.500	28.250
5233939	3-1/2	36.000	10.500	25.438	3.250	3.250	28.250
5233777	4	36.000	10.500	25.438	3.375	3.250	28.250
5233780	5	36.000	10.500	25.438	3.625	4.250	28.250
5133894	6	36.000	10.500	25.438	3.750	5.000	28.250

Dimensions are nominal

Schedule 40 45° Elbow 24" Radius Bell End

Part Number	Trade Size	"R"	"O"	"H"	"S" MIN	"B" MIN	"L"
5233878	1	24.000	7.000	17.000	1.875	1.500	18.875
5233941	1-1/4	24.000	7.000	17.000	2.000	1.500	18.875
5233874	1-1/2	24.000	7.000	17.000	2.000	2.000	18.875
5233815	2	24.000	7.000	17.000	2.000	2.000	18.875
5233935	2-1/2	24.000	7.000	17.000	3.000	2.250	18.875
5233800	3	24.000	7.000	17.000	3.125	2.500	18.875
5233802	3-1/2	24.000	7.000	17.000	3.250	3.250	18.875
5233812	4	24.000	7.000	17.000	3.375	3.250	18.875

Dimensions are nominal

Schedule 40 45° Elbow 48" Radius Bell End

Part Number	Trade Size	"R"	"O"	"H"	"S" MIN	"B" MIN	"L"
5233811	1-1/2	48.000	14.000	33.313	2.000	2.000	37.688
5133759	2	48.000	14.000	33.313	2.000	2.000	37.688
5233785	2-1/2	48.000	14.000	33.313	3.000	2.250	37.688
5233782	3	48.000	14.000	33.313	3.125	2.500	37.688
5133761	4	48.000	14.000	33.313	3.375	3.250	37.688
5233781	5	48.000	14.000	33.313	3.625	3.250	37.688
5233813	6	48.000	14.000	33.313	3.750	4.250	37.688
5233989D	8	48.000	14.000	33.938	6.625	5.000	37.688

Dimensions are nominal

Schedule 40 45° Elbow 30" Radius Bell End

Part Number	Trade Size	"R"	"O"	"H"	"S" MIN	"B" MIN	"L"
5233953	4	30.000	8.750	21.250	3.375	3.250	23.563

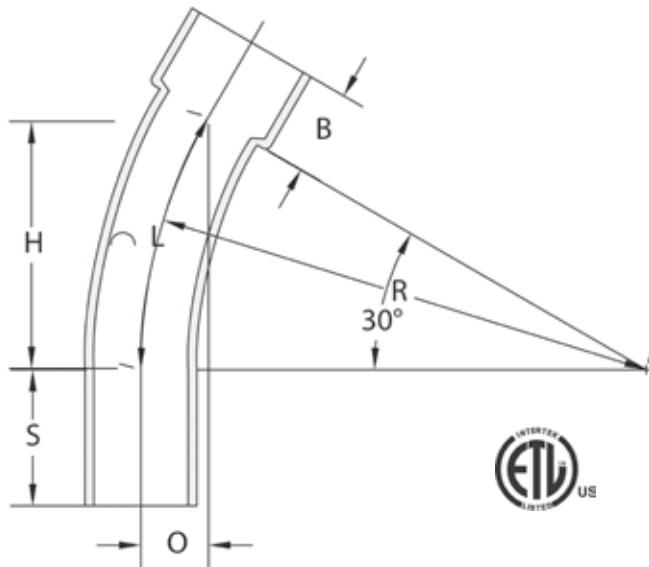
Dimensions are nominal

Schedule 40 45° Elbow 60" Radius Bell End

Part Number	Trade Size	"R"	"O"	"H"	"S" MIN	"B" MIN	"L"
5233808	2	60.000	17.563	42.375	2.000	2.000	47.125
5233946	4	60.000	17.563	42.375	3.375	3.250	47.125
5233947	5	60.000	17.563	42.375	3.625	4.250	47.125
5233806	6	60.000	17.563	42.375	3.750	5.000	47.125

Dimensions are nominal

Schedule 40 30° Elbow Special Radius - Bell End



CANTEX Schedule 40 30-Degree Special Radius Belled End Elbows are used to change the direction of a conduit run by 30 degrees when special radii are needed.

- Schedule 40 PVC construction for strength and durability
- For indoor or outdoor use
- Suitable for aboveground or buried
- Bell end for easy installation
- ETL Listed
- Made in USA

Schedule 40 30° Elbow 18" Radius Bell End

Part Number	Trade Size	"R"	"O"	"H"	"S" MIN	"B" MIN	"L"
5233789	2	18.000	2.438	9.063	2.000	2.000	9.438
5233969	3	18.000	2.438	9.063	3.125	2.500	9.438

Dimensions are nominal

Schedule 40 30° Elbow 36" Radius Bell End

Part Number	Trade Size	"R"	"O"	"H"	"S" MIN	"B" MIN	"L"
5233792	2	36.000	4.813	18.000	2.000	2.000	18.875
5233793	3	36.000	4.813	18.000	3.125	2.500	18.875
5233790	4	36.000	4.813	18.000	3.375	3.250	18.875
5233933	5	36.000	4.813	18.000	3.625	4.250	18.875
5233791	6	36.000	4.813	18.000	3.750	5.000	18.875

Dimensions are nominal

Schedule 40 30° Elbow 24" Radius Bell End

Part Number	Trade Size	"R"	"O"	"H"	"S" MIN	"B" MIN	"L"
5236435	1	24.000	3.188	12.000	1.875	1.500	12.563
5233803	1-1/2	24.000	3.188	12.000	2.000	2.000	12.563
5233796	2	24.000	3.188	12.000	2.000	2.000	12.563
5233958	3	24.000	3.188	12.000	3.125	2.500	12.563
5236439	3-1/2	24.000	3.188	12.000	3.250	3.250	12.563
5233788	4	24.000	3.188	12.000	3.375	3.250	12.563

Dimensions are nominal

Schedule 40 30° Elbow 48" Radius Bell End

Part Number	Trade Size	"R"	"O"	"H"	"S" MIN	"B" MIN	"L"
5233820	2	48.000	6.438	24.00	2.000	2.000	25.125
5233809	3	48.000	6.438	24.000	3.125	2.500	25.125
5233838	4	48.000	6.438	24.000	3.375	3.250	25.125
5233959	5	48.000	6.438	24.000	3.625	4.250	25.125
5233861	6	48.000	6.438	24.000	3.750	5.000	25.125

Dimensions are nominal

Schedule 40 30° Elbow 30" Radius Bell End

Part Number	Trade Size	"R"	"O"	"H"	"S" MIN	"B" MIN	"L"
5233898	4	30.000	4.000	15.000	3.375	3.250	15.938

Dimensions are nominal

Schedule 40 30° Elbow 60" Radius Bell End

Part Number	Trade Size	"R"	"O"	"H"	"S" MIN	"B" MIN	"L"
5233999	4	60.000	8.063	30.000	3.375	3.250	31.438

Dimensions are nominal

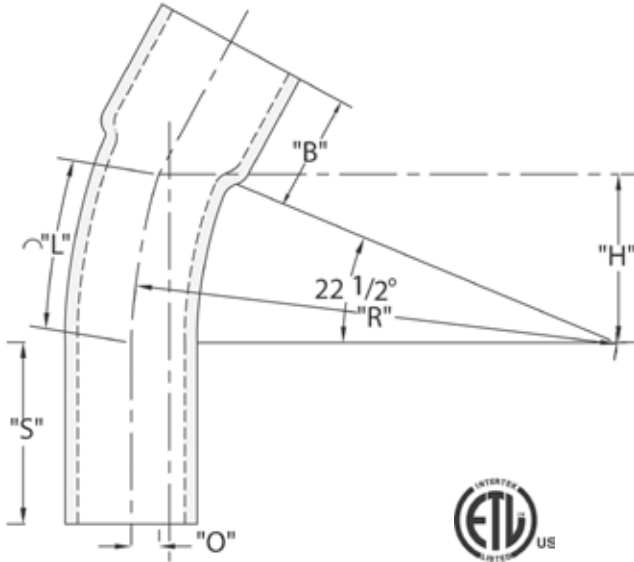
If you don't see the size you need, additional sizes of special radius elbows are available as non-stocked items. Call for specifications and quotes.

Schedule 40 Elbows - Special Radius

Additional sizes are available as non-stock items. Call for specifications and quotes.



Schedule 40 22-1/2° Elbow Special Radius - Bell End



CANTEX Schedule 40 22-1/2-Degree Special Radius Belled End Elbows are used to change the direction of a conduit run by 22-1/2 degrees when special radiuses are needed.

- Schedule 40 PVC construction for strength and durability
- For indoor or outdoor use
- Suitable for aboveground or buried
- Bell end for easy installation
- ETL Listed
- Made in USA

Schedule 40 22-1/2° Elbow 18" Radius Bell End

Part Number	Trade Size	"R"	"O"	"H"	"S" MIN	"B" MIN	"L"
5233902	1	18.000	1.375	6.875	1.875	1.500	7.063
5233908	1-1/2	18.000	1.375	6.875	2.000	2.000	7.063
5233639	2	18.000	1.375	6.875	2.000	2.000	7.063
5233936	2-1/2	18.000	1.375	6.875	3.000	2.250	7.063
5233845	3	18.000	1.375	6.875	3.125	2.500	7.063
5234016	4	18.000	1.375	6.875	3.375	3.250	7.063

Dimensions are nominal

Schedule 40 22-1/2° Elbow 36" Radius Bell End

Part Number	Trade Size	"R"	"O"	"H"	"S" MIN	"B" MIN	"L"
5233997	1-1/2	36.000	2.750	13.750	2.000	2.000	14.125
5233851	2	36.000	2.750	13.750	2.000	2.000	14.125
5233937	2-1/2	36.000	2.750	13.750	3.000	2.250	14.125
5233904	3	36.000	2.750	13.750	3.125	2.500	14.125
5233853	4	36.000	2.750	13.750	3.375	3.250	14.125
5133888	5	36.000	2.750	13.750	3.625	4.250	14.125
5233905	6	36.000	2.750	13.750	3.750	5.000	14.125

Dimensions are nominal

Schedule 40 22-1/2° Elbow 24" Radius Bell End

Part Number	Trade Size	"R"	"O"	"H"	"S" MIN	"B" MIN	"L"
5236425	1-1/4	24.000	1.813	9.188	2.000	1.500	9.438
5233915	2	24.000	1.813	9.188	2.000	2.000	9.438
5234019	2-1/2	24.000	1.813	9.188	3.000	2.250	9.438
5233903	3	24.000	1.813	9.188	3.125	2.500	9.438
5233909	4	24.000	1.813	9.188	3.375	3.250	9.438
5233917	6	24.000	1.813	9.188	3.750	5.000	9.438

Dimensions are nominal

Schedule 40 22-1/2° Elbow 48" Radius Bell End

Part Number	Trade Size	"R"	"O"	"H"	"S" MIN	"B" MIN	"L"
5233995	1-1/4	48.000	3.625	18.375	2.000	1.500	18.875
5233984	2	48.000	3.625	18.375	2.000	2.000	18.875
5233907	3	48.000	3.625	18.375	3.125	2.500	18.875
5233932	4	48.000	3.625	18.375	3.375	3.250	18.875
5233931	5	48.000	3.625	18.375	3.625	4.250	18.875
5233862	6	48.000	3.625	18.375	3.750	5.000	18.875

Dimensions are nominal

Schedule 40 22-1/2° Elbow 30" Radius Bell End

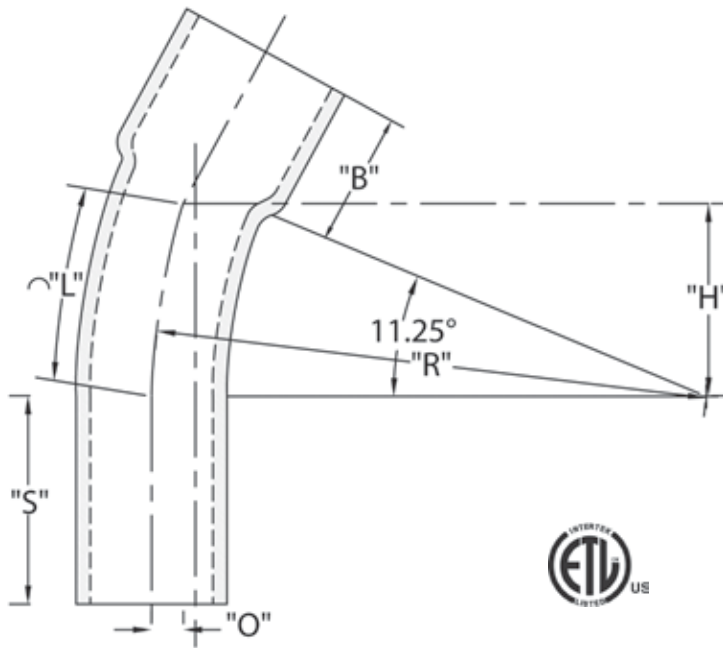
Part Number	Trade Size	"R"	"O"	"H"	"S" MIN	"B" MIN	"L"
5233810	2	30.000	2.250	11.500	2.000	2.000	11.750
5233821	3	30.000	2.250	11.500	3.125	2.500	11.750
5233948	4	30.000	2.250	11.500	3.375	3.250	11.750
5233900	5	30.000	2.250	11.500	3.625	4.250	11.750

Schedule 40 22-1/2° Elbow 60" Radius Bell End

Part Number	Trade Size	"R"	"O"	"H"	"S" MIN	"B" MIN	"L"
5234013	2	60.000	4.563	23.000	2.000	2.000	23.563
5233899	3	60.000	4.563	23.000	3.125	2.500	23.563
5234012	4	60.000	4.563	23.000	3.375	3.250	23.563
5233961	5	60.000	4.563	23.000	3.625	4.250	23.563
5234065	6	60.000	4.563	23.000	3.750	5.000	23.563

Dimensions are nominal

Schedule 40 11-1/4° Elbow Special Radius - Bell End



CANTEX Schedule 40 11 1/4 -Degree Special Radius Belled End Elbows are used to change the direction of a conduit run by 11-1/4 degrees when special radiuses are needed.

- Schedule 40 PVC construction for strength and durability
- For indoor or outdoor use
- Suitable for aboveground or buried
- Bell end for easy installation
- ETL Listed
- Made in USA

Schedule 40 11-1/4° Elbow 36" Radius Bell End

Part Number	Trade Size	"R"	"O"	"H"	"S" MIN	"B" MIN	"L"
5233963	2	36.000	.688	7.000	2.000	2.000	7.063
5234129	2-1/2	36.000	.688	7.000	3.000	2.250	7.063
5234082	3	36.000	.688	7.000	3.125	2.500	7.063
5233910	4	36.000	.688	7.000	3.375	3.250	7.063
5233914	5	36.000	.688	7.000	3.625	4.250	7.063
5233987	6	36.000	.688	7.000	3.750	5.000	7.063

Dimensions are nominal

Schedule 40 11-1/4° Elbow 24" Radius Bell End

Part Number	Trade Size	"R"	"O"	"H"	"S" MIN	"B" MIN	"L"
5233974	2	24.000	.469	4.688	2.000	2.000	4.719
5233991	4	24.000	.469	4.688	3.375	3.250	4.719
5233965	5	24.000	.469	4.688	3.625	4.250	4.719

Dimensions are nominal

Schedule 40 11-1/4° Elbow 48" Radius Bell End

Part Number	Trade Size	"R"	"O"	"H"	"S" MIN	"B" MIN	"L"
5233990	4	48.000	.938	9.375	3.375	3.250	9.438
5233977	5	48.000	.938	9.375	3.625	4.250	9.438
5134078	6	48.000	.938	9.375	3.750	5.000	9.438

Dimensions are nominal

Schedule 40 11-1/4° Elbow 30" Radius Bell End

Part Number	Trade Size	"R"	"O"	"H"	"S" MIN	"B" MIN	"L"
5233988	6	30.000	.563	5.875	3.750	5.000	5.875

Dimensions are nominal

Schedule 40 11-1/4° Elbow 150" Radius Bell End

Part Number	Trade Size	"R"	"O"	"H"	"S" MIN	"B" MIN	"L"
5233911	2	150.000	2.875	29.250	2.000	2.000	29.438
5234047	3	150.000	2.875	29.250	3.125	2.500	29.438
5233912	4	150.000	2.875	29.250	3.375	3.250	29.438
5234122	5	150.000	2.875	29.250	3.625	4.250	29.438
5234048	6	150.000	2.875	29.250	3.750	5.000	29.438

Dimensions are nominal

If you don't see the size you need, additional sizes of special radius elbows are available as non-stocked items. Call for specifications and quotes.

Schedule 80 Elbows - Standard Radius

Additional sizes are available as non-stock items. Call for specifications and quotes.

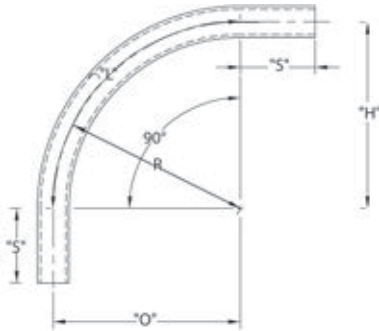


Schedule 80 90° Elbow - Plain End



CANTEX 90-Degree Plain End Schedule 80 Standard Radius Elbows are used to change the direction of a conduit run by 90 degrees.

- Schedule 80 Extra Heavy Wall Nonmetallic PVC construction for strength and durability
- For indoor or outdoor use
- Suitable for aboveground or buried
- Plain end connections are solvent weld
- ETL Listed
- Made in USA



Part Number	Trade Size	Carton Qty.	"R"	"O"	"H"	"S" MIN	"L"
5121053	1/2	50	4.000	4.000	4.000	1.500	6.250
5121054	3/4	35	4.500	4.500	4.500	1.500	7.125
5121055	1	20	5.750	5.750	5.750	1.875	9.000
5121056	1-1/4	30	7.250	7.250	7.250	2.000	11.375
5121057	1-1/2	30	8.250	8.250	8.250	2.000	13.000
5121058	2	15	9.500	9.500	9.500	2.000	15.000
5121059	2-1/2	18	10.500	10.500	10.500	3.000	16.500
5121060	3	14	13.000	13.000	13.000	3.125	20.375
5121068	3-1/2	12	15.000	15.000	15.000	3.250	23.500
5121061	4	10	16.000	16.000	16.000	3.375	25.125
5121062	5	30*	24.000	24.000	24.000	3.625	37.625
5121063	6	25*	30.000	30.000	30.000	3.750	47.125

* Pallet Quantity

Dimensions are nominal

Conforms to UL651 and NEMA TC3

Material is Rigid PVC

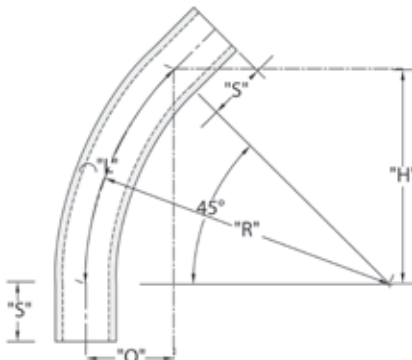
Bend Tolerance is $\pm 2^\circ$

Schedule 80 45° Elbow - Plain End



CANTEX 45-Degree Plain End Schedule 80 Standard Radius Elbows are used to change the direction of a conduit run by 45 degrees.

- Schedule 80 Extra Heavy Wall Nonmetallic PVC construction for strength and durability
- For indoor or outdoor use
- Suitable for aboveground or buried
- Plain end connections are solvent weld
- ETL Listed
- Made in USA



Part Number	Trade Size	Carton Qty.	"R"	"O"	"H"	"S" MIN	"L"
5121003	1/2	50	4.000	1.188	2.875	1.500	3.125
5121004	3/4	25	4.500	1.313	3.188	1.500	3.500
5121005	1	20	5.750	1.688	4.000	1.875	4.500
5121006	1-1/4	25	7.250	2.125	5.125	2.000	5.688
5121007	1-1/2	20	8.250	2.375	5.875	2.000	6.500
5121008	2	10	9.500	2.813	6.750	2.000	7.500
5121009	2-1/2	20	10.500	2.563	7.375	3.000	8.250
5121010	3	8	13.000	3.813	9.188	3.125	10.250
5121011	4	20	16.000	4.688	11.438	3.375	12.625
5121012	5	30*	24.00	7.000	17.000	3.625	18.875
5121013	6	25*	30.000	8.813	21.250	3.750	23.875

* Pallet Quantity

Dimensions are nominal

Conforms to UL651 and NEMA TC3

Material is Rigid PVC

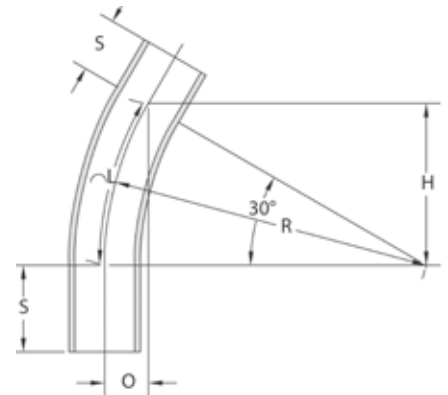
Bend Tolerance is $\pm 2^\circ$

Schedule 80 30° Elbow - Plain End

Part Number	Trade Size	Carton Qty.	"R"	"O"	"H"	"S" MIN	"L"
5121000	1/2	50	4.000	.500	2.000	1.500	2.125
5121001	3/4	25	4.500	.625	2.250	1.500	2.375
5121002	1	20	5.750	.750	2.875	1.875	3.000
5121106	1-1/4	25	7.250	1.000	3.625	2.000	3.813
5121850	1-1/2	20	8.250	1.063	4.125	2.000	4.313
5121108	2	10	9.500	1.250	4.750	2.000	5.000
5121109	2-1/2	20	10.500	1.438	5.250	3.000	5.500
5121110	3	8	13.000	1.750	6.500	3.125	6.813
5121111	4	20	16.000	2.063	8.000	3.375	8.375
5121112	5	30*	24.000	3.188	12.000	3.625	12.563
5121113	6	25*	30.000	4.000	15.000	3.750	15.688

CANTEX 30-Degree Plain End Schedule 80 Standard Radius Elbows are used to change the direction of a conduit run by 30 degrees.

- Schedule 80 Extra Heavy Wall Nonmetallic PVC construction for strength and durability
- For indoor or outdoor use
- Suitable for aboveground or buried
- Plain end connections are solvent weld
- ETL Listed
- Made in USA



* Pallet Quantity

Dimensions are nominal

Conforms to UL651 and NEMA TC3

Material is Rigid PVC

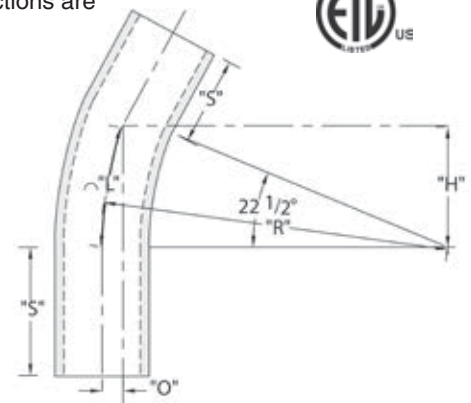
Bend Tolerance is $\pm 2^\circ$

Schedule 80 22-1/2° Elbow - Plain End

Part Number	Trade Size	Carton Qty.	"R"	"O"	"H"	"S" MIN	"L"
5136649	1-1/2	25	8.250	.625	3.125	2.000	3.250
5136659	2	10	9.500	.750	3.625	2.000	3.750
5136669	2-1/2	20	10.500	.813	4.000	3.000	4.125
5136679	3	8	13.000	1.000	5.000	3.125	5.125
5121868	4	20	16.000	1.250	6.125	3.375	6.250
5121125	5	*60	24.000	1.813	9.188	3.625	9.375

CANTEX 22 1/2-Degree Plain End Schedule 80 Standard Radius Elbows are used to change the direction of a conduit run by 22-1/2 degrees.

- Schedule 80 Extra Heavy Wall Nonmetallic PVC construction for strength and durability
- For indoor or outdoor use
- Suitable for aboveground or buried
- Plain end connections are solvent weld
- ETL Listed
- Made in USA



* Pallet Quantity

Dimensions are nominal

Conforms to UL651 and NEMA TC3

Material is Rigid PVC

Bend Tolerance is $\pm 2^\circ$

Schedule 80 90° Elbow - Bell End



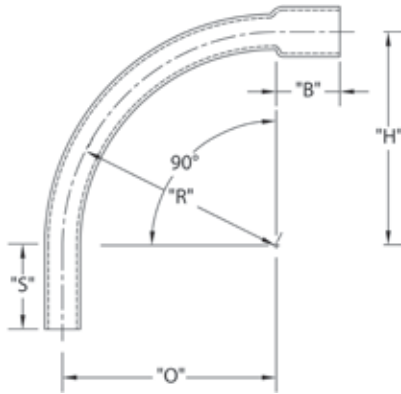
CANTEX 90-Degree Bell End Schedule 80 Standard Radius Elbows are used to change the direction of a conduit run by 90 degrees.

- Schedule 80 Extra Heavy Wall Nonmetallic PVC construction for strength and durability
- For indoor or outdoor use
- Suitable for aboveground or buried
- Bell end for easy installation
- ETL Listed
- Made in USA

Part Number	Trade Size	Carton Qty.	"R"	"O"	"H"	"S" MIN	"B" MIN	"L"
5221056	1-1/4	30	7.250	7.250	7.250	2.000	1.500	11.375
5221057	1-1/2	30	8.250	8.250	8.250	2.000	2.000	13.000
5221058	2	15	9.500	9.500	9.500	2.000	2.000	15.000
5221059	2-1/2	18	10.500	10.500	10.500	3.000	2.250	16.500
5221060	3	14	13.000	13.000	13.000	3.125	2.500	20.375
5221061	4	10	16.000	16.000	16.000	3.375	3.250	25.125
5221062	5	30*	24.000	24.000	24.000	3.625	4.250	37.625
5221117	6	25*	30.000	30.000	30.000	3.750	5.000	47.125

* Pallet Quantity

Dimensions are nominal



Conforms to UL651 and NEMA TC3
Material is Rigid PVC
Bend Tolerance is $\pm 2^\circ$

Schedule 80 45° Elbow - Bell End



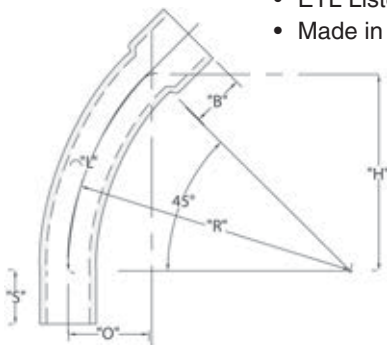
CANTEX 45-Degree Bell End Schedule 80 Standard Radius Elbows are used to change the direction of a conduit run by 45 degrees.

- Schedule 80 Extra Heavy Wall Nonmetallic PVC construction for strength and durability
- For indoor or outdoor use
- Suitable for aboveground or buried
- Bell end for easy installation
- ETL Listed
- Made in USA

Part Number	Trade Size	Carton Qty.	"R"	"O"	"H"	"S" MIN	"B" MIN	"L"
5221006	1-1/4	25	7.250	2.125	5.125	2.000	1.500	5.688
5221007	1-1/2	20	8.250	2.438	5.813	2.000	2.000	6.500
5221008	2	10	9.500	2.813	6.750	2.000	2.000	7.500
5221009	2-1/2	20	10.500	3.063	7.438	3.000	2.250	8.250
5221010	3	8	13.000	3.813	9.188	3.500	2.500	10.188
5221011	4	20	16.000	4.688	11.188	3.375	3.250	12.563
5221012	5	30*	24.000	7.000	17.000	3.625	4.250	18.875
5221013	6	25*	30.000	8.875	21.250	3.750	5.000	23.563

* Pallet Quantity

Dimensions are nominal



Conforms to UL651 and NEMA TC3
Material is Rigid PVC
Bend Tolerance is $\pm 2^\circ$

Schedule 80 22-1/2° Elbow - Bell End



Part Number	Trade Size	Carton Qty.	"R"	"O"	"H"	"S" MIN	"B" MIN	"L"
5221052	2	10	9.500	.750	3.625	2.000	2.000	3.750
5236679	3	8	13.000	1.000	5.000	3.125	2.500	5.125
5221868	4	10	16.000	1.250	6.125	3.375	3.250	6.250
5221116	6	*25	30.000	2.250	11.500	3.750	5.000	11.750

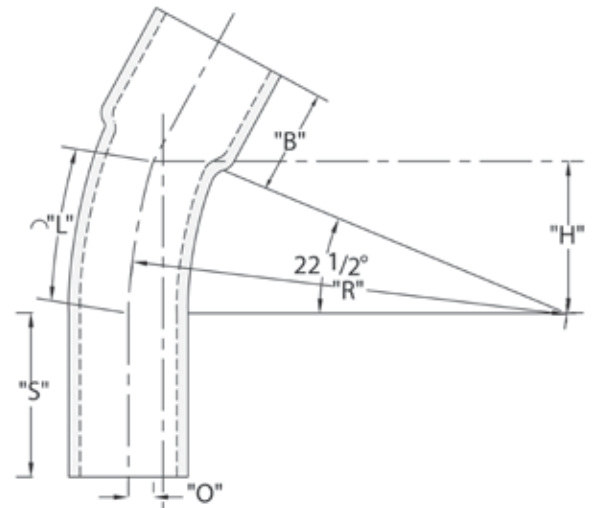
* Pallet Quantity

Dimensions are nominal

Conforms to UL651 and NEMA TC3
 Material is Rigid PVC
 Bend Tolerance is $\pm 2^\circ$

CANTEX 22-1/2 -Degree Bell End Schedule 80 Standard Radius Elbows are used to change the direction of a conduit run by 22-1/2 degrees.

- Schedule 80 Extra Heavy Wall Nonmetallic PVC construction for strength and durability
- For indoor or outdoor use
- Suitable for aboveground or buried
- Bell end for easy installation
- ETL Listed
- Made in USA

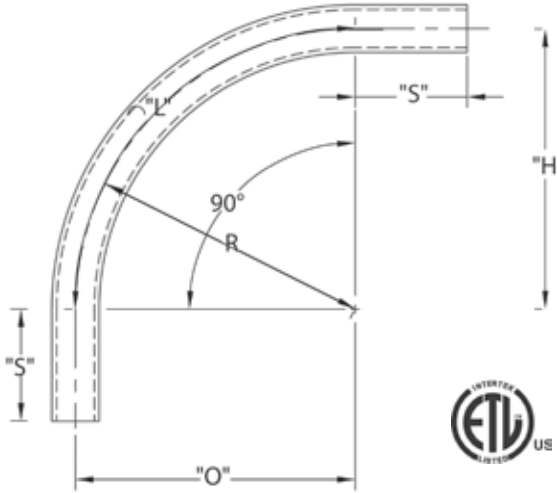


Schedule 80 Elbows - Special Radius

Additional sizes are available as non-stock items. Call for specifications and quotes.



Schedule 80 90° Elbow Special Radius - Plain End



CANTEX Plain End Schedule 80 90-Degree Special Radius Elbows are used to change the direction of a conduit run by 90 degrees when special radiuses are needed.

- Schedule 80 Extra Heavy Wall Nonmetallic PVC construction for strength and durability
- For indoor or outdoor use
- Suitable for aboveground or buried
- Plain end connections are solvent weld
- ETL Listed
- Made in USA

Schedule 80 90° Elbow 18" Radius Plain End

Part Number	Trade Size	"R"	"O"	"H"	"S" MIN	"L"
5121846	1	18	18	18	1.875	28.250
5119822	1-1/4	18	18	18	2.000	28.250
5121848	1-1/2	18	18	18	2.000	28.250
5121099	2	18	18	18	2.000	28.250
5121027	2-1/2	18	18	18	3.000	28.250
5121079	3	18	18	18	3.125	28.250

Dimensions are nominal

Schedule 80 90° Elbow 24" Radius Plain End

Part Number	Trade Size	"R"	"O"	"H"	"S" MIN	"L"
5121018	1	24	24	24	1.875	37.750
5119824	1-1/4	24	24	24	2.000	37.750
5121015	1-1/2	24	24	24	2.000	37.750
5121019	2	24	24	24	2.000	37.750
5121028	2-1/2	24	24	24	3.000	37.750
5121020	3	24	24	24	3.125	37.750
5121022	4	24	24	24	3.375	37.750

Dimensions are nominal

Schedule 80 90° Elbow 30" Radius Plain End

Part Number	Trade Size	"R"	"O"	"H"	"S" MIN	"L"
5121071	2	30	30	30	2.000	47.125
5121052	2-1/2	30	30	30	3.000	47.125
5136570	3	30	30	30	3.125	47.125
5136580	4	30	30	30	3.375	47.125

Dimensions are nominal

Schedule 80 90° Elbow 36" Radius Plain End

Part Number	Trade Size	"R"	"O"	"H"	"S" MIN	"L"
5121080	1	36	36	36	1.875	56.500
5121084	1-1/4	36	36	36	2.000	56.500
5121100	1-1/2	36	36	36	2.000	56.500
5121021	2	36	36	36	2.000	56.500
5121016	2-1/2	36	36	36	3.000	56.500
5121081	3	36	36	36	3.125	56.500
5121023	4	36	36	36	3.375	56.500
5121083	5	36	36	36	3.625	56.500
5121073	6	36	36	36	3.750	56.5

Dimensions are nominal

Schedule 80 90° Elbow 48" Radius Plain End

Part Number	Trade Size	"R"	"O"	"H"	"S" MIN	"L"
5121065	1	48	48	48	1.875	75.375
5121076	1-1/2	48	48	48	2.000	75.375
5121075	2	48	48	48	2.000	75.375
5121030	2-1/2	48	48	48	3.000	75.375
5121082	3	48	48	48	3.125	75.375
5121024	4	48	48	48	3.375	75.375
5121025	5	48	48	48	3.625	75.375
5121026	6	48	48	48	3.750	75.375

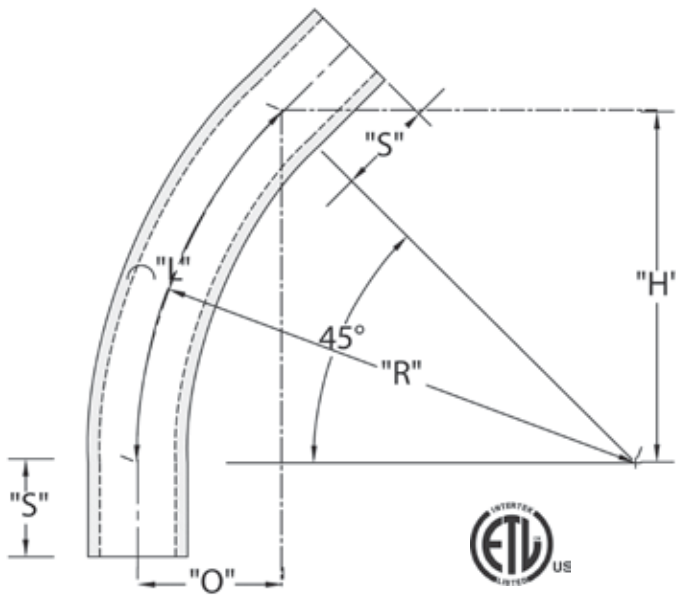
Dimensions are nominal

Schedule 80 90° Elbow 60" Radius Plain End

Part Number	Trade Size	"R"	"O"	"H"	"S" MIN	"L"
5121102	1-1/2	60	60	60	2.000	94.250
5121086	2	60	60	60	2.000	94.250
5136970	3	60	60	60	3.125	94.250
5121085	4	60	60	60	3.375	94.250
5121017	5	60	60	60	3.625	94.250
5121087	6	60	60	60	3.750	94.250

Dimensions are nominal

Schedule 80 45° Elbow Special Radius - Plain End



CANTEX Plain End Schedule 80 45-Degree Special Radius Elbows are used to change the direction of a conduit run by 45 degrees when special radiuses are needed.

- Schedule 80 Extra Heavy Wall Nonmetallic PVC construction for strength and durability
- For indoor or outdoor use
- Suitable for aboveground or buried
- Plain end connections are solvent weld
- ETL Listed
- Made in USA

Schedule 80 45° Elbow 36" Radius Plain End

Part Number	Trade Size	"R"	"O"	"H"	"S" MIN	"L"
5136502	1	36.000	10.500	25.500	1.875	28.250
5136514	1-1/4	36.000	10.500	25.500	2.000	28.250
5136533	1-1/2	36.000	10.500	25.500	2.000	28.250
5121098	2	36.000	10.500	25.500	2.000	28.250
5121150	2-1/2	36.000	10.500	25.500	3.000	28.250
5121077	3	36.000	10.500	25.500	3.125	28.250
5119821	4	36.000	10.500	25.500	3.375	28.250
5119820	5	36.000	10.500	25.500	3.625	28.250
5121072	6	36.000	10.500	25.500	3.750	28.250

Dimensions are nominal

Schedule 80 45° Elbow 18" Radius Plain End

Part Number	Trade Size	"R"	"O"	"H"	"S" MIN	"L"
5121971	1	18.000	5.250	12.75	1.875	14.125
5136511	1-1/4	18.000	5.250	12.75	2.000	14.125
5121037	1-1/2	18.000	5.250	12.75	2.000	14.125
5136551	2	18.000	5.250	12.75	2.000	14.125
5136561	2-1/2	18.000	5.250	12.75	3.000	14.125

Dimensions are nominal

Schedule 80 45° Elbow 48" Radius Plain End

Part Number	Trade Size	"R"	"O"	"H"	"S" MIN	"L"
5136515	1-1/4	48.000	14.000	34.000	2.000	37.688
5121093	2	48.000	14.000	34.000	2.000	37.688
5121078	3	48.000	14.000	34.000	3.125	37.688
5121091	4	48.000	14.000	34.000	3.375	37.688
5121948	5	48.000	14.000	34.000	3.625	37.688
5119830	6	48.000	14.000	34.000	3.750	37.688

Dimensions are nominal

Schedule 80 45° Elbow 24" Radius Plain End

Part Number	Trade Size	"R"	"O"	"H"	"S" MIN	"L"
5136500	1	24.000	17.000	7.000	1.875	18.875
5136512	1-1/4	24.000	17.000	7.000	2.000	18.875
5163533	1-1/2	24.000	17.000	7.000	2.000	18.875
5121101	2	24.000	17.000	7.000	2.000	18.875
5121943	2-1/2	24.000	17.000	7.000	3.000	18.875
5121014	3	24.000	17.000	7.000	3.125	18.875
5121089	4	24.000	17.000	7.000	3.375	18.875

Dimensions are nominal

Schedule 80 45° Elbow 60" Radius Plain End

Part Number	Trade Size	"R"	"O"	"H"	"S" MIN	"L"
5136840	1-1/2	60.000	17.625	34.000	2.000	47.125
5136850	2	60.000	17.625	34.000	2.000	47.125
5136860	2-1/2	60.000	17.625	34.000	3.000	47.125
5136810	3	60.000	17.625	34.000	3.125	47.125
5121122	4	60.000	17.625	34.000	3.375	47.125

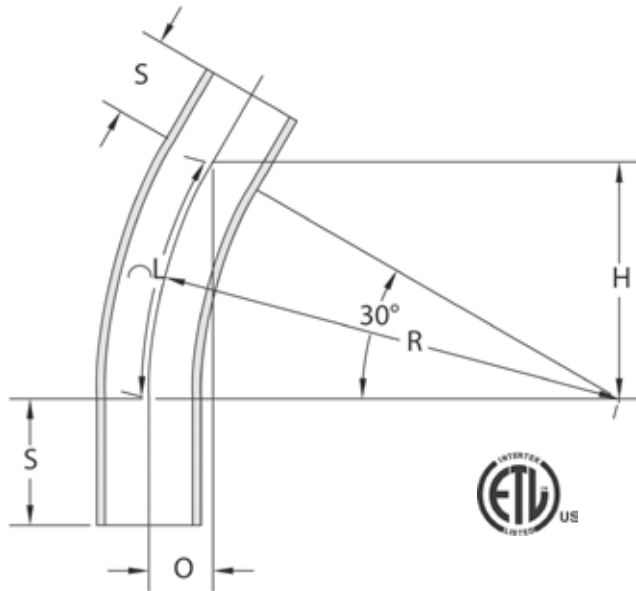
Dimensions are nominal

Schedule 80 Elbows - Special Radius

Additional sizes are available as non-stock items. Call for specifications and quotes.



Schedule 80 30° Elbow Special Radius - Plain End



CANTEX Plain End Schedule 80 30-Degree Special Radius Elbows are used to change the direction of a conduit run by 30 degrees when special radii are needed.

- Schedule 80 Extra Heavy Wall Nonmetallic PVC construction for strength and durability
- For indoor or outdoor use
- Suitable for aboveground or buried
- Plain end connections are solvent weld
- ETL Listed
- Made in USA

Schedule 80 30° Elbow 36" Radius Plain End

Part Number	Trade Size	"R"	"O"	"H"	"S" MIN	"L"
5136538	1-1/2	36.000	4.813	18.000	2.000	18.875
5121094	2	36.000	4.813	18.000	2.000	18.875
5136566	2-1/2	36.000	4.813	18.000	3.000	18.875
5136575	3	36.000	4.813	18.000	3.125	18.875
5121114	4	36.000	4.813	18.000	3.375	18.875
5136587	5	36.000	4.813	18.000	3.625	18.875
5136595	6	36.000	4.813	18.000	3.750	18.875

Dimensions are nominal

Schedule 80 30° Elbow 18" Radius Plain End

Part Number	Trade Size	"R"	"O"	"H"	"S" MIN	"L"
5136504	1	18.000	2.438	9.063	1.875	9.438
5136516	1-1/4	18.000	2.438	9.063	2.000	9.438
5136535	1-1/2	18.000	2.438	9.063	2.000	9.438
5136553	2	18.000	2.438	9.063	2.000	9.438
5136566	2-1/2	18.000	2.438	9.063	3.000	9.438
5136572	3	18.000	2.438	9.063	3.125	9.438

Dimensions are nominal

Schedule 80 30° Elbow 48" Radius Plain End

Part Number	Trade Size	"R"	"O"	"H"	"S" MIN	"L"
5121123	4	48.000	6.438	24.000	3.375	25.125
5121115	5	48.000	6.438	24.000	3.625	25.125
5136596	6	48.000	6.438	24.000	3.750	25.125

Dimensions are nominal

Schedule 80 30° Elbow 24" Radius Plain End

Part Number	Trade Size	"R"	"O"	"H"	"S" MIN	"L"
5136505	1	24.000	3.188	12.000	1.875	12.563
5136536	1-1/2	24.000	3.188	12.000	2.000	12.563
5136554	2	24.000	3.188	12.000	2.000	12.563
5136573	3	24.000	3.188	12.000	3.125	12.563
5136582	4	24.000	3.188	12.000	3.375	12.563

Dimensions are nominal

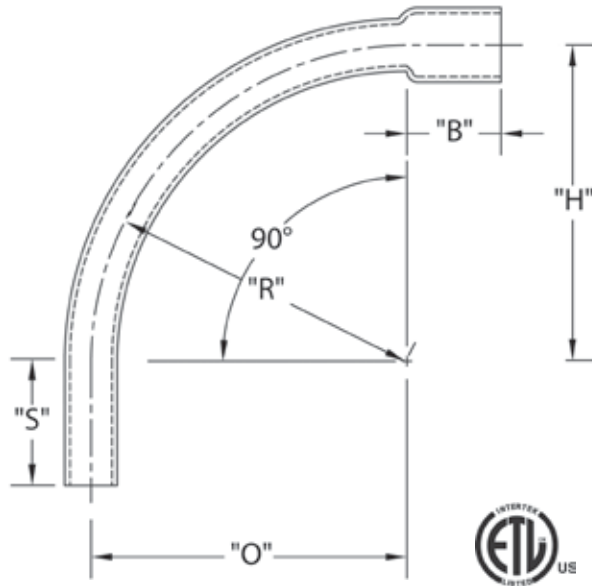
Schedule 80 30° Elbow 60" Radius Plain End

Part Number	Trade Size	"R"	"O"	"H"	"S" MIN	"L"
5136750	2	60	8.063	30.000	2.000	31.438

Dimensions are nominal

If you don't see the size you need, additional sizes of special radius elbows are available as non-stocked items. Call for specifications and quotes.

Schedule 80 90° Elbow Special Radius - Bell End



CANTEX Belled End Schedule 80 90-Degree Special Radius Elbows are used to change the direction of a conduit run by 90 degrees when special radiuses are needed.

- Schedule 80 PVC construction for strength and durability
- For indoor or outdoor use
- Suitable for aboveground or buried
- Bell end for easy installation
- ETL Listed
- Made in USA

Schedule 80 90° Elbow 18" Radius Bell End

Part Number	Trade Size	"R"	"O"	"H"	"S" MIN	"B" MIN	"L"
5221846	1	18.000	18.000	18.000	1.875	1.500	28.250
5221079	3	18.000	18.000	18.000	3.125	2.500	28.250

Dimensions are nominal

Schedule 80 90° Elbow 36" Radius Bell End

Part Number	Trade Size	"R"	"O"	"H"	"S" MIN	"B" MIN	"L"
5221080	1	36.000	36.000	36.000	1.875	1.500	56.500
5121049	1-1/2	36.000	36.000	36.000	2.000	2.000	56.500
5121047	2	36.000	36.000	36.000	2.000	2.000	56.500
5221100	2-1/2	36.000	36.000	36.000	3.000	2.250	56.500
5121038	3	36.000	36.000	36.000	3.125	2.500	56.500
5221023	4	36.000	36.000	36.000	3.375	3.250	56.500
5221083	5	36.000	36.000	36.000	3.625	4.250	56.500
5121045	6	36.000	36.000	36.000	3.750	5.000	56.500

Dimensions are nominal

Schedule 80 90° Elbow 24" Radius Bell End

Part Number	Trade Size	"R"	"O"	"H"	"S" MIN	"B" MIN	"L"
5221018	1	24.000	24.000	24.000	1.875	1.500	37.688
5219824	1-1/4	24.000	24.000	24.000	2.000	1.500	37.688
5221015	1-1/2	24.000	24.000	24.000	2.000	2.000	37.688
5121036	2	24.000	24.000	24.000	2.000	2.000	37.688
5122028	2-1/2	24.000	24.000	24.000	3.000	2.250	37.688
5121031	3	24.000	24.000	24.000	3.125	2.500	37.688
5221022	4	24.000	24.000	24.000	3.375	3.250	37.688

Dimensions are nominal

Schedule 80 90° Elbow 48" Radius Bell End

Part Number	Trade Size	"R"	"O"	"H"	"S" MIN	"B" MIN	"L"
5221065	1	48.000	48.000	48.000	1.875	1.500	75.375
5236510	1-1/4	48.000	48.000	48.000	2.000	1.500	75.375
5221075	2	48.000	48.000	48.000	2.000	2.000	75.375
5221030	2-1/2	48.000	48.000	48.000	3.000	2.250	75.375
5221082	3	48.000	48.000	48.000	3.125	2.500	75.375
5221024	4	48.000	48.000	48.000	3.375	3.250	75.375
5221025	5	48.000	48.000	48.000	3.625	4.250	75.375
5121033	6	48.000	48.000	48.000	3.750	5.000	75.375

Dimensions are nominal

Schedule 80 90° Elbow 30" Radius Bell End

Part Number	Trade Size	"R"	"O"	"H"	"S" MIN	"B" MIN	"L"
5221071	2	30.000	30.000	30.000	2.000	2.000	47.125
5221053	2-1/2	30.000	30.000	30.000	3.000	2.250	47.125

Dimensions are nominal

Schedule 80 90° Elbow 60" Radius Bell End

Part Number	Trade Size	"R"	"O"	"H"	"S" MIN	"B" MIN	"L"
5221085	4	60.000	60.000	60.000	3.375	3.250	94.250
5233885	5	60.000	60.000	60.000	3.625	4.250	94.250
5121044	6	60.000	60.000	60.000	3.750	5.000	94.250

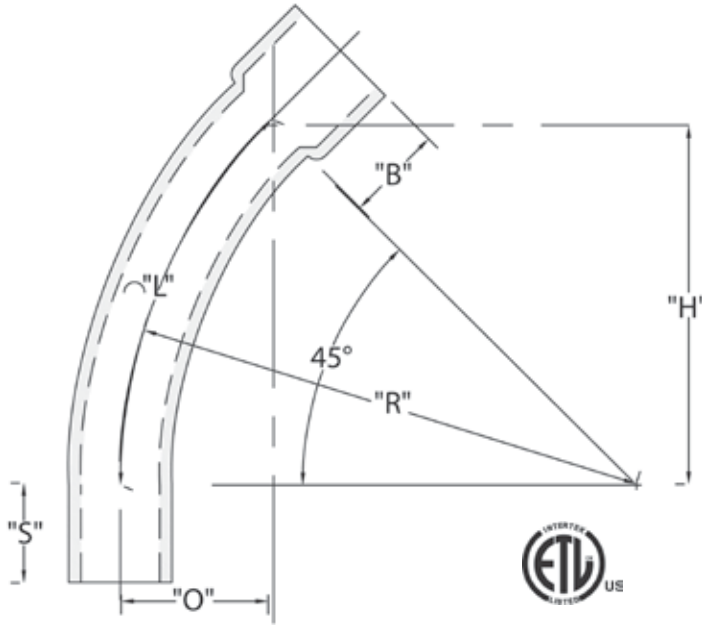
Dimensions are nominal

Schedule 80 Elbows - Special Radius

Additional sizes are available as non-stock items. Call for specifications and quotes.



Schedule 80 45° Elbow Special Radius - Bell End



CANTEX Belled End Schedule 80 45-Degree Special Radius Elbows are used to change the direction of a conduit run by 45 degrees when special radiuses are needed.

- Schedule 80 PVC construction for strength and durability
- For indoor or outdoor use
- Suitable for aboveground or buried
- Bell end for easy installation
- ETL Listed
- Made in USA

Schedule 80 45° Elbow 24" Radius Bell End

Part Number	Trade Size	"R"	"O"	"H"	"S" MIN	"B" MIN	"L"
5221101	2	24.000	7.000	17.000	2.000	2.000	18.875
5221014	3	24.000	7.000	17.000	3.125	2.500	18.875
5221089	4	24.000	7.000	17.000	3.375	3.250	18.875

Dimensions are nominal

Schedule 80 45° Elbow 48" Radius Bell End

Part Number	Trade Size	"R"	"O"	"H"	"S" MIN	"B" MIN	"L"
5221078	3	48.000	14.000	33.938	3.125	2.500	37.688
5221091	4	48.000	14.000	33.938	3.375	3.250	37.688
5221948	5	48.000	14.000	33.938	3.625	4.250	37.688
5219830	6	48.000	14.000	33.938	3.750	5.000	37.688

Dimensions are nominal

Schedule 80 45° Elbow 36" Radius Bell End

Part Number	Trade Size	"R"	"O"	"H"	"S" MIN	"B" MIN	"L"
5221098	2	36.000	10.500	25.438	2.000	2.000	28.250
5221150	2-1/2	36.000	10.500	25.438	3.000	2.250	28.250
5221077	3	36.000	10.500	25.438	3.125	2.500	28.250
5219821	4	36.000	10.500	25.438	3.375	3.250	28.250

Dimensions are nominal

Schedule 80 45° Elbow 60" Radius Bell End

Part Number	Trade Size	"R"	"O"	"H"	"S" MIN	"B" MIN	"L"
5121949	5	60.000	17.563	42.375	3.625	4.250	47.125

Dimensions are nominal

If you don't see the size you need, additional sizes of special radius elbows are available as non-stocked items. Call for specifications and quotes.



SCHEDULE 40 & SCHEDULE 80 PVC FITTINGS & ACCESSORIES

CANTEX offers an all-inclusive line of Schedule 40 & Schedule 80 PVC electrical fittings and accessories. With several decades of experience manufacturing PVC fittings and accessories, you can trust CANTEX to provide quality products.

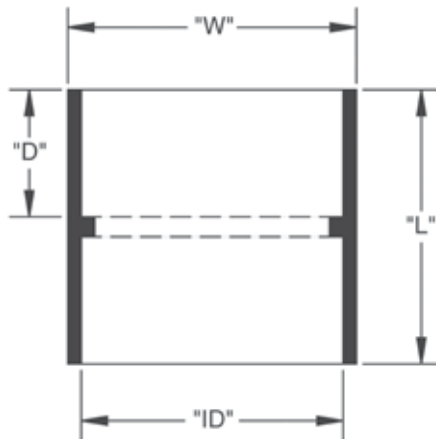
All of our PVC fittings are easy-to-install and offer non-conductivity, high impact, tensile strength, industry certifications, and resistance to a wide range of chemicals, acids, and salt. Our schedule 40 & 80 fittings and accessories connect seamlessly with other standard schedule 40 & 80 products making it easy to convert entire electrical infrastructures to PVC.

Standard UL Schedule 40 Center Stop Coupling



Schedule 40 Standard Center Stop Couplings are used to join lengths of conduit pipe together with two solvent weld socket ends.

- For use with Schedule 40 and Schedule 80 conduit
- Center stop to help determine proper depth of connection
- For use aboveground and underground and non-conductive and sunlight resistant
- Meets NEMA TC-3 Standards
- UL and CSA listed
- Made in USA



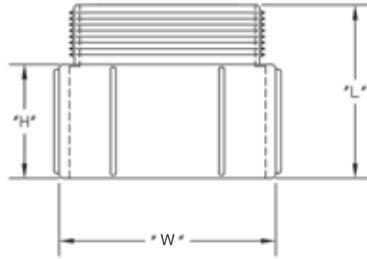
Part Number	Trade Size	Carton Qty.	"W"	"L"	"ID"	"D"
6141623	1/2	200	1.063	1.500	.875	.625
6141624	3/4	125	1.313	1.563	1.063	.625
6141625	1	70	1.625	2.000	1.313	1.000
6141626	1-1/4	40	2.000	2.125	1.688	1.000
6141627	1-1/2	30	2.250	2.375	1.938	1.063
6141628	2	40	2.688	2.600	2.375	1.192
6141629	2-1/2	20	3.250	3.500	2.875	1.750
6141630	3	40	4.000	3.875	3.500	1.188
6141631	3-1/2	30	4.1250	4.000	4.000	1.938
6141632	4	20	5.000	4.188	4.500	2.000
6141633	5	10	6.125	5.375	5.625	2.500
6141634	6	8	7.250	6.375	6.625	3.000
* 6141635D	8	1	9.313	13.000	8.625	5.000

* Not UL Listed

Dimensions are nominal

Male Terminal Adapter

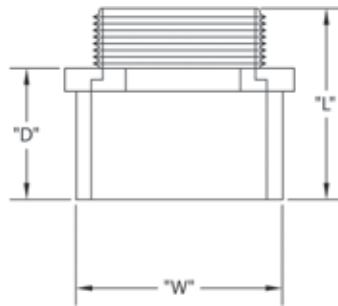
1/2" through 3/4" Terminal (Male) Adapter



Male Terminal Adapters are connectors used to transition from a spigot end PVC conduit to a threaded metal or PVC plastic female bell end. Male Terminal Adapters can also be used to connect PVC conduit to a box or other threaded body with use of a lock nut. The fittings consist of one solvent weld female end and one threaded male end. Both ends will fit the same diameter conduit.

- Durable non-conductive PVC will not rust or corrode
- For use with Schedule 40 & 80 and EB & DB applications
- Meets NEMA TC-3 Standards
- UL and CSA listed
- Made in USA

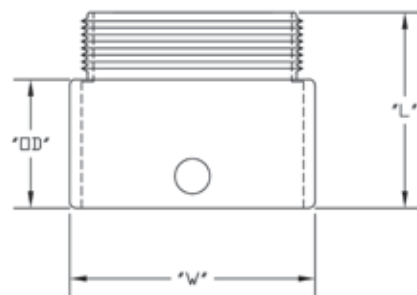
1" through 1 1/2" Terminal (Male) Adapter



Part Number	Trade Size	Carton Qty.	"W"	"L"	"D"
5140103	1/2	200	1.063	1.688	1.125
5140104	3/4	125	1.250	1.750	1.188
5140105	1	70	1.625	2.188	1.500
5140106	1-1/4	40	2.000	2.125	1.313
5140107	1-1/2	30	2.000	2.063	1.313

Dimensions are nominal

2" through 6" Terminal (Male) Adapter



Part Number	Trade Size	Carton Qty.	"W"	"L"	"D"
5140108	2	40	2.688	2.188	1.375
5140109	2-1/2	20	3.313	2.875	2.000
5140110	3	40	3.938	3.000	2.188
5140111	3-1/2	30	4.500	3.188	2.563
5140112	4	20	5.000	3.438	2.563
5140113	5	10	6.250	4.750	3.000
5140114	6	8	7.313	4.938	2.688
5140115D*	8	2	--	--	--

*Not UL or CSA listed

Dimensions are nominal

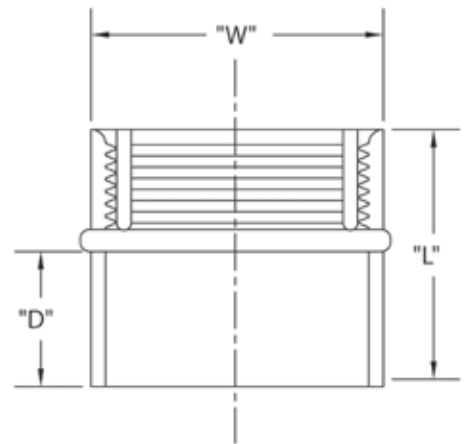
Female Adapter

Part Number	Trade Size	Carton Qty.	"W"	"L"	"D"
5140043	1/2	200	1.000	1.438	.688
5140044	3/4	125	1.250	1.625	.688
5140045	1	70	1.563	1.875	.875
5140046	1-1/4	40	2.000	1.938	.938
5140047	1-1/2	30	2.250	2.125	.938
5140048	2	40	2.688	2.125	.938
5140049	2-1/2	20	3.313	3.000	1.313
5140050	3	40	4.000	3.063	1.250
5140051	3-1/2	30	4.500	3.000	1.188
5140052	4	20	5.000	3.250	1.375
5140053	5	10	6.125	3.688	1.313
5140054	6	8	7.250	4.375	1.625
*5140055D	8	2	9.313	7.000	2.250

Dimensions are nominal

Schedule 40 Female Adapters are used to transition threaded metal or PVC conduit with one end threaded and the other end socket solvent weld. They can also be used to join PVC to PVC.

- For use with Schedule 40 & 80 and EB & DB applications
- Two female ends with the same diameter
- Material is ridged PVC for easy installation
- Meets NEMA TC-3 Standards
- UL and CSA listed
- Made in USA



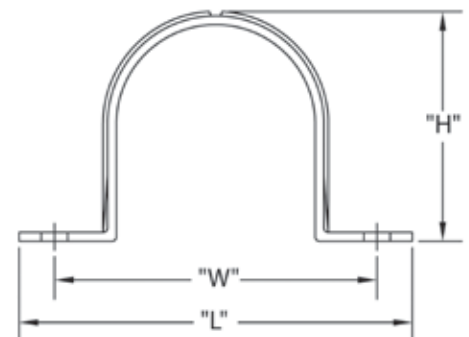
Conduit Clamps (Pipe Straps)

Part Number	Trade Size	Carton Qty.	"W"	"L"	"H"
*5133736	1/2	300	1.688	2.188	1.000
*5133737	3/4	200	2.000	2.500	1.250
*5133738	1	200	2.250	2.813	1.500
*5133733	1-1/4	200	2.500	3.125	1.813
*5133734	1-1/2	200	2.688	3.375	2.125
*5133735	2	200	3.313	4.000	2.563
**5133739	2-1/2	100	4.563	5.500	3.000
**5133740	3	100	5.125	6.000	3.563
**5133353	4	100	6.000	7.000	4.625

Dimensions are nominal

A u-shaped conduit support device used to anchor conduit to interior or exterior surfaces. Two holes in the feet of the clamp allow mounting with screws or nails.

- Durable non-conductive PVC will not rust or corrode
- For use with Schedule 40 & 80 conduit
- UL and CSA listed
- Made in USA



*Requires two #10 screws for installation (not included).

**Requires two #14 screws for installation (not included).

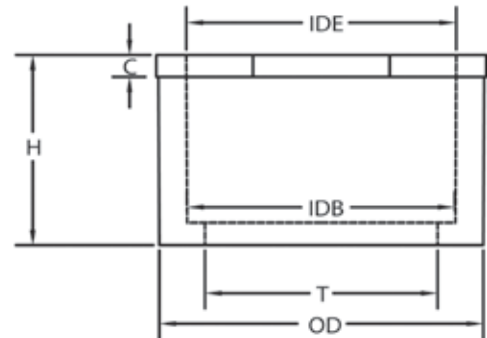
Reducers

Part Number	Trade Size	Carton Qty.	"H"	"C"	"T"	"OD"	"IDE"	"IDB"
5142220	3/4 x 1/2	100	1.000	.120	.630	1.050	.852	.836
5142230	1 x 1/2	100	--	--	--	--	--	--
5142221	1 x 3/4	100	1.180	.120	.834	1.315	1.064	1.046
5142222	1-1/4 x 1	50	1.420	.140	1.059	1.660	1.330	1.310
5142251	1-1/2 x 1	25	--	--	--	--	--	--
5142223*	1-1/2 x 1-1/4	50	1.370	.180	1.392	1.900	1.677	1.655
5142224*	2 x 1-1/2	25	1.600	.250	1.622	2.375	1.918	1.894
5142225*	2-1/2 x 2	25	1.900	.250	2.076	2.875	2.391	2.370
5140867	3 x 2	25	2.24	.250	2.085	3.500	2.393	2.362
5142226*	3 x 2-1/2	25	2.250	.250	2.484	3.500	2.890	2.868
5142227*	4 x 3	20	2.600	.370	3.083	4.500	3.515	3.492
5142229*	4 x 3-1/2	20	2.600	.400	3.598	4.500	4.015	3.992

Reducer bushings are designed to fit into a bell end of conduit or a female fitting to reduce the diameter to the next smaller size conduit diameter. Male and female elements of the bushing are solvent weld.



- All connections are solvent weld
- Durable non-conductive PVC will not rust or corrode
- For use with Schedule 40 & 80 conduit
- UL listed and CSA Certified
- Made in USA



* CSA Certified

Dimensions are nominal

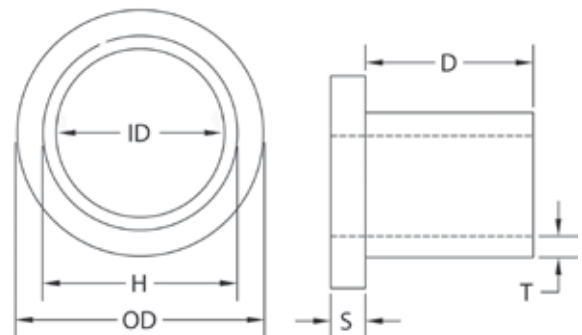
Box Adapters

Part Number	Trade Size	Carton Qty.	"D" (Min)	"S" (Min)	"OD"	"ID" (Min)	"H"	"T" (Min)
5133715	1/2	100	.700	.140	1.200	.578	.840	.095
5133716	3/4	100	.725	.140	1.400	.780	1.050	.095
5133717	1	100	.950	.140	1.700	1.004	1.315	.100
5133718	1-1/4	50	.990	.250	2.000	1.335	1.660	.120
5133719	1-1/2	50	1.100	.200	2.000	1.564	1.900	.120
5133720	2	25	1.175	.200	2.750	2.021	2.375	.130
5133721*	2-1/2	10	1.650	.300	3.350	2.424	2.875	.165
5133722	3	10	1.800	.325	4.200	3.008	3.500	.216
5133723*	3-1/2	10	1.870	.325	4.500	3.486	4.000	.226
5133724*	4	10	2.020	.250	4.910	3.961	4.500	.237

Box Adapters are designed to connect nonmetallic conduit to all electrical enclosures. They are used with the hub inside a box or enclosure.



- Installs by inserting the adapter through the knockout in the enclosure and then solvent welding into a coupling or adapter
- Durable non-conductive PVC will not rust or corrode
- For use with Schedule 40 & 80 conduit
- UL listed
- Made in USA



* CSA Certified

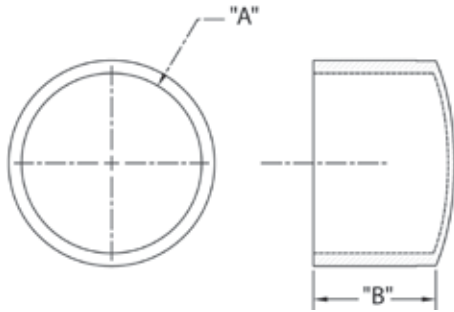
Dimensions are nominal

Meets NEMA TC3
Requirements
Made of Rigid PVC

End Cap

End Caps are designed to cap off PVC conduit either temporarily or permanently using PVC solvent cement.

- Suitable for indoor or outdoor use
- Durable non-conductive PVC will not rust or corrode
- For use with Schedule 40 & 80 and EB & DB applications
- UL and CSA listed
- Made in USA



Meets NEMA TC3 Requirements
Made of Rigid PVC

1/2" through 4" have dome top



5" and 6" have flat top



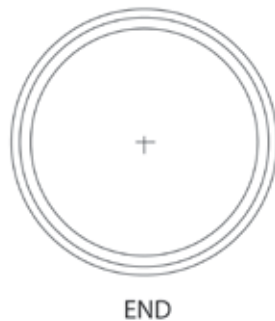
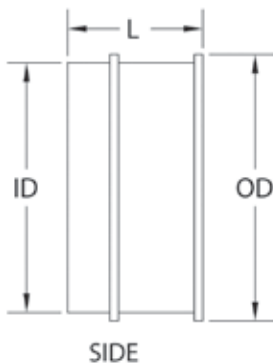
Part Number	Trade Size	Carton Qty.	"A"	"B"
5140031	1/2	100	.875	.875
5140032	3/4	100	1.063	1.063
5140033	1	50	1.375	1.250
5140034	1-1/4	25	1.688	1.313
5140035	1-1/2	25	1.938	1.563
5140037	2	50	2.375	1.625
5140038	2-1/2	25	2.875	2.000
5140039	3	25	3.563	2.375
5140036	3-1/2	25	4.000	2.313
5140040	4	25	4.500	2.375
5140041	5	25	5.563	2.500
5140042	6	10	6.625	3.000

Dimensions are nominal

End Bell

End Bells are used in concrete vault walls to provide a smooth, safe entrance to the conduit outside. Protects wiring which is being pulled through the vault wall.

- For use with Schedule 40 and Schedule 80 conduit
- Protects wiring which is being pulled through concrete vault walls
- Easy installation
- Meets NEMA TC-9 Standards
- UL and CSA listed
- Made in USA



Part Number	Trade Size	Carton Qty.	"L"	"ID"	"OD"
5144003	1/2	100	1.000	.625	1.250
5144004	3/4	100	1.000	.875	1.500
5144005	1	50	1.250	1.063	1.750
5144006	1-1/4	50	1.313	1.375	2.125
5144007	1-1/2	50	1.563	1.625	2.500
5144008	2	40	1.563	2.063	2.813
5144009	2-1/2	30	1.875	2.500	3.375
5144010	3	50	2.063	3.000	4.125
5144011	3-1/2	50	2.250	3.500	4.625
5144012	4	50	2.375	4.000	5.125
5144013	5	25	2.438	5.063	6.375
5144014	6	15	2.875	6.063	7.375

Dimensions are nominal

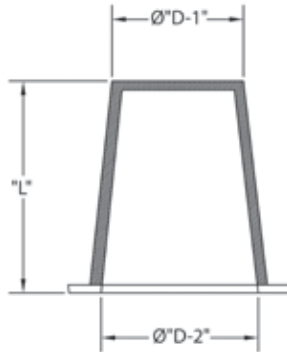
* 8 inch trade size is not UL or CSA Listed

Poly Plug



Poly Plugs are designed for temporary sealing of conduit to protect a duct from the effects of weather, job site debris, and animal damage.

- Tapered for easy installation and removal
- Ribbed side walls for tight secure fit
- For use with Schedule 40 & 80 and EB & DB applications
- Made from Polyurethane material
- Made in USA



Part Number	Trade Size	Carton Qty.	"L"	"D-1"	"D-2"
5315248	2	70	3.250	1.875	2.438
5315250	3	70	3.813	2.625	3.438
5315252	4	90	4.063	3.688	4.438
5315253	5	45	3.813	4.750	5.500
5315254	6	30	3.813	5.563	6.500

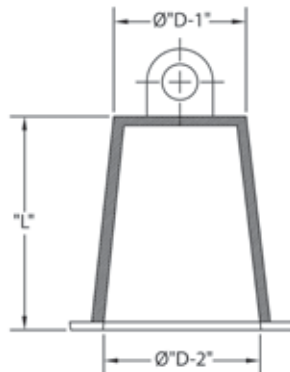
Dimensions are nominal

Poly Plug with Pulling Eye



Poly Plugs with Pulling Eyes are designed for the temporary sealing of conduit to protect the duct from the effects of weather, job site debris, and animal damage. The molded in pull-eye is used to secure excess pulling rope within conduit.

- Tapered for easy installation and removal
- For use with Schedule 40 & 80 and EB & DB applications
- Ribbed side walls for tight secure fit
- Two plain end spigot solvent weld ends
- Made from Polyurethane material
- Made in USA

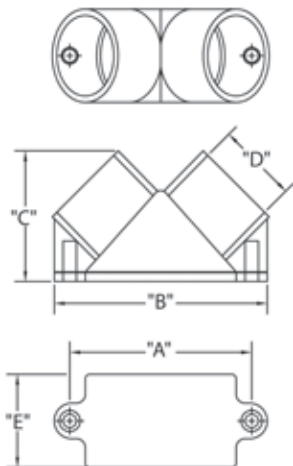


Part Number	Trade Size	Carton Qty.	"L"	"D-1"	"D-2"
5315258	2	70	3.000	2.000	2.500
*5315259	2 1/2	70	3.000	2.125	2.750
5315260	3	45	3.750	2.875	3.500
5315262	4	80	3.875	3.750	4.500
5315263	5	45	3.750	4.875	5.625
5315264	6	35	3.875	5.625	6.875

Dimensions are nominal

*Made in Mexico

Pull Elbow



Pull Elbows are used to effect a sharp 90-degree turn in a conduit run where wires must be continuously pulled around the turn.

- Provides a smooth surface that will not damage wiring
- Not used for wire splicing
- For use with Schedule 40 & 80 conduit
- Includes lid, gasket, and screws
- UL and CSA listed



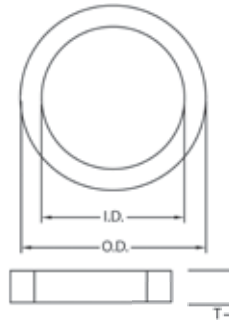
Part Number	Trade Size	Carton Qty.	"A"	"B"	"C"	"D"	"E"
5240100	1/2	75	2.125	2.625	1.500	.875	1.125
5240101	3/4	50	2.500	3.000	1.625	1.063	1.313

Dimensions are nominal

Sealing Washer (Sealing Ring)

Part Number	Trade Size	Carton Qty.	"ID"	"OD"	"T"
5163370	1/2	150	.880	1.200	.125
5163371	3/4	125	1.050	1.380	.125
5163372	1	100	1.340	1.650	.125
5163374	1-3/4	50	1.680	2.050	.125
5163373	1-1/2	25	1.900	2.280	.125
5163375	2	50	2.370	2.750	.125

Dimensions are nominal



Sealing Washers or Rings are designed to be used with terminal adapters to provide a concrete tight connection.

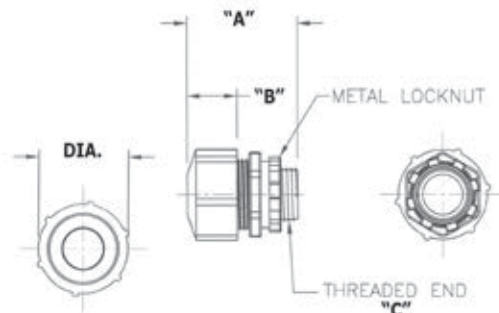


- Material is closed cell nitrile/PVC elastomer with flame retardant
- Made in USA

Strain Relief Connectors

Part Number	Trade Size	Carton Qty.	"A" MIN IN ASSY	"B"	"C"	"DIA"
5133430	1/2	25	1.690	.910	.500	1.33
5133431	3/4	25	1.690	.910	.750	1.33

Dimensions are nominal



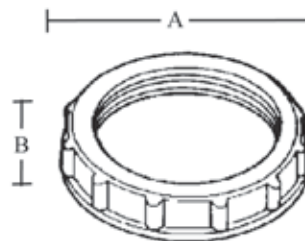
Strain Relief Connectors are designed to terminate a cable into a PVC box or enclosure.

- Threaded with lock nut and washer
- Includes a set of 6 unique grommets for customer usage options
- For use with Schedule 40 & 80 conduit
- Made in USA

Insulating Bushing

Part Number	Trade Size	Carton Qty.	"A"	"B"
5134200U	1/2	10 Bags of 5	1.060	.430
5134201U	3/4	10 Bags of 5	1.310	.430
5134202U	1	10 Bags of 5	1.590	.480
5134203U	1-1/4	5 Bags of 5	1.960	.560
5134204U	1-1/2	5 Bags of 5	2.180	.560
5134205U	2	5 Bags of 5	2.680	.590
5134206U	2-1/2	10	3.250	.720
5134207U	3	10	3.870	.750

Dimensions are nominal

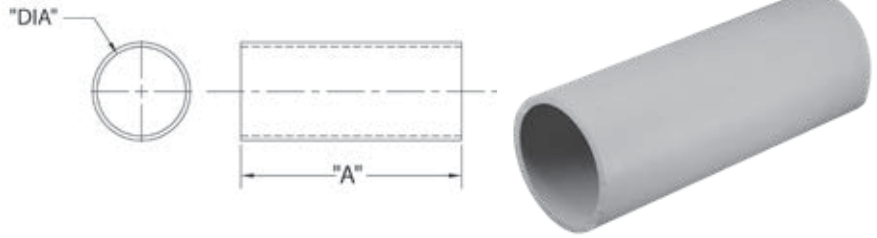


Insulating Bushings are used to terminate threaded conduit or connectors to a box to protect wires from sharp edges and abrasions during pull.

- Rounded surface of bushing prevents damage to wire insulation
- Made from Thermoplastic material
- 105° C temperature rating
- UL Listed

Schedule 40 Longline Coupling with No Center Stop - Fabricated

Part Number	Trade Size	Carton Qty.	"DIA"	"A"
6141702	1	20	1.313	4.500
6141703	1-1/2	20	1.875	4.875
6203000	2	20	2.375	6.125
6203002	2-1/2	20	2.875	6.000
6203005	3	25	3.563	6.750
6203006	3-1/2	25	4.000	6.375
6203007	4	15	4.500	6.375
6203009	5	8	5.688	8.750
6203010	6	4	6.688	9.750



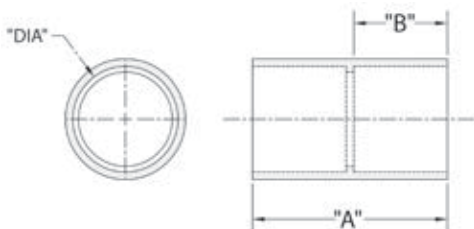
Schedule 40 Long Line Couplings with No Center Stops are used to repair or join lengths of conduit pipe together with two solvent weld socket ends.

- For use with Schedule 40 and Schedule 80 conduit
- No Center Stop for easy repair of broken or damaged conduit
- For use aboveground and underground
- Non-conductive and sunlight resistant
- Meets NEMA TC-3 Standards
- Made in USA
- Made of rigid PVC

Schedule 40 Longline Coupling with Center Stop - Molded

Part Number	Trade Size	Carton Qty.	"DIA"	"A"	"B"
6202000	2	20	2.375	4.188	2.000
6202005	3	25	3.500	6.500	3.250
6202010	4	15	4.500	7.000	3.500

Dimensions are nominal



Schedule 40 Long Line Center Stop Couplings are used to repair or join lengths of conduit/ pipe together with two solvent weld socket ends.

- For use with Schedule 40 and Schedule 80 conduit
- Center stop to help determine proper depth of connection
- For use aboveground and underground
- Non-conductive and sunlight resistant
- Meets NEMA TC-3 Standards
- Made in USA
- Made of rigid PVC



Schedule 40 Longline Swedged Coupling with Center Stop - Fabricated

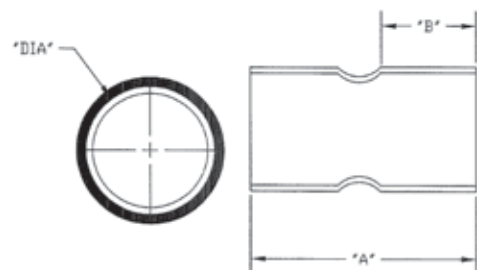
Schedule 40 Long Line Center Stop Couplings are used to repair or join lengths of conduit/ pipe together with two solvent weld socket ends.

Part Number	Trade Size	Carton Qty.	"DIA"	"A"	"B"
6202002	2-1/2	25	2.875	6.313	2.750
6202015	5	8	5.563	8.313	3.625
6202016	6	4	6.625	9.000	3.500

Dimensions are nominal



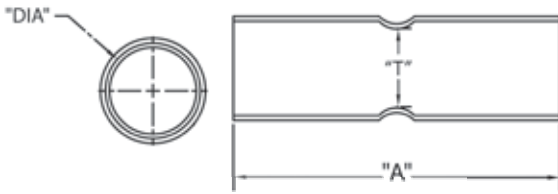
- For use with Schedule 40 and Schedule 80 conduit
- Center stop to help determine proper depth of connection
- For use aboveground and underground
- Non-conductive and sunlight resistant
- Meets NEMA TC-3 Standards
- Made in USA
- Made of rigid PVC



Schedule 40 Swedged Coupling with Center Stop - Fabricated

Part Number	Trade Size	Carton Qty.	"DIA"	"A"	"B"
6201001	2	20	2.750	5.500	2.250
6201002	3	15	4.000	6.750	2.750
6201000	4	15	5.000	8.000	4.000
6151470	5	8	6.625	10.563	5.000
6141720	6	4	7.250	11.125	5.000

Dimensions are nominal

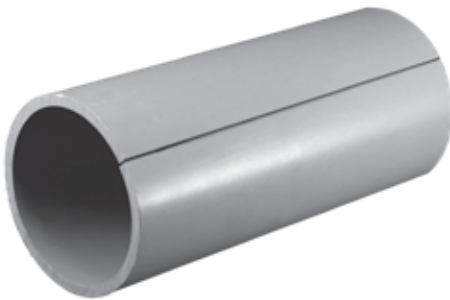


Schedule 40 Swedged Couplings are used to join lengths of conduit pipe together with two solvent weld bell ends.

- For use with Schedule 40 and Schedule 80 conduit
- Swedged to create a center stop
- For use aboveground and underground
- Fabricated from Schedule 40 conduit
- Made in USA
- Made of rigid PVC



Schedule 40 Split Sleeve Coupling - Fabricated

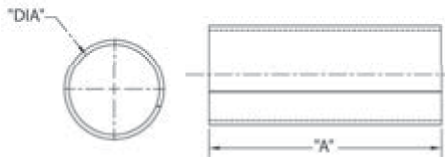


Schedule 40 Split Sleeve Couplings are used for joining Split Ducts to existing duct when repairing broken or damaged conduit and wires are present.

- For use with Schedule 40 and Schedule 80 conduit
- Side split to enable installation without cutting existing wire or cables
- For use aboveground and underground
- Fabricated from Schedule 40 conduit
- Made in USA
- Made of rigid PVC

Part Number	Trade Size	Carton Qty.	"DIA"	"A"
6141684	2	25	2.375	6.125
6141683	2-1/2	25	2.875	6.150
6141685	3	25	3.500	6.188
6141690	4	15	4.563	6.250
6141692	5	8	5.625	8.875
6141693	6	4	6.563	10.125

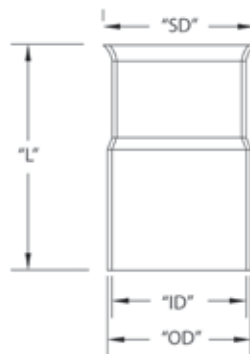
Dimensions are nominal



Schedule 40 End Bell - Fabricated

Part Number	Trade Size	Carton Qty.	"L"	"ID"	"OD"	"SD"
5143980	2	50	6.000 ± .25	2.390	2.750	3.000
5143982	3	50	6.000 ± .25	3.500	3.980	4.360
5143984	4	45	5.750 ± .25	4.500	5.125	5.250
5143986D	6	15	7.000 ± .25	6.625	7.313	5.750
5143987D	8	1	9.875 ± .25	8.688	9.250	8.750

Dimensions are nominal



Schedule 40 Fabricated End Bells are used in concrete vault walls to provide a smooth safe entrance to the conduit outside.

- For use with Schedule 40 and Schedule 80 conduit
- For use aboveground and underground
- Fabricated from Schedule 40 conduit
- Made in USA
- Made of rigid PVC

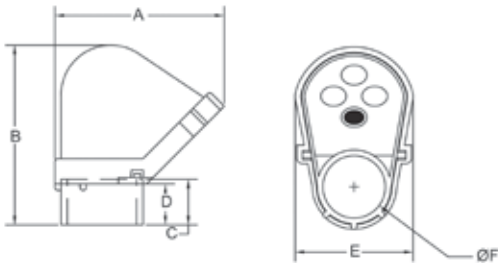
Service Entrance Caps



Service Entrance Caps are used as the entry point for overhead power and communication wires into a building.

- Prevents precipitation from accessing the conduit that enters a building
- Multiple knockouts for wire options
- Material is rigid PVC
- UL Listed

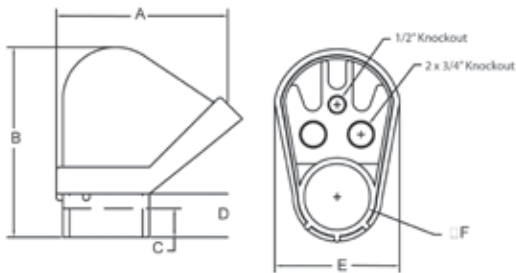
Service Entrance Cap - 1/2" thru 1"



Part Number	Trade Size	Carton Qty.	"A"	"B"	"C"	"D"	"E"	"ØF"
5133590	1/2	10	2.875	2.875	.750	.625	2.188	.852
5133591	3/4	10	2.875	2.875	.875	.438	2.125	1.064
5133741	1	20	3.313	3.625	1.000	.750	2.375	1.330

Dimensions are nominal

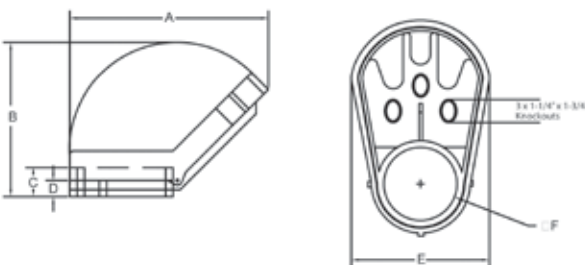
Service Entrance Cap - 1-1/4" thru 2"



Part Number	Trade Size	Carton Qty.	"A"	"B"	"C"	"D"	"E"	"ØF"
5133742	1-1/4	20	5.000	5.000	1.250	1.375	3.313	1.667
5133695	1-1/2	20	6.500	6.500	1.750	2.000	4.250	1.918
5133743	2	5	6.500	6.500	1.750	2.000	4.250	2.393

Dimensions are nominal

Service Entrance Cap - 2-1/2" thru 3"

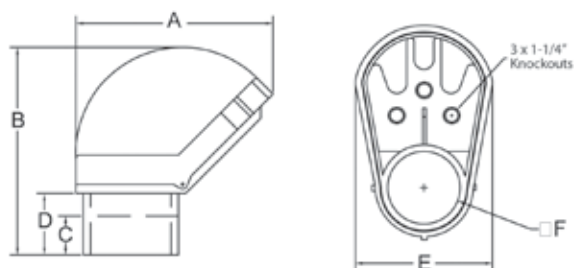


Part Number	Trade Size	Carton Qty.	"A"	"B"	"C"	"D"	"E"	"ØF"
5133696	2-1/2	5	15.000	8.250	1.875	1.000	8.250	2.890
5133697	3	5	12.250	9.375	1.750	1.000	8.250	3.515

Dimensions are nominal

- Made in USA

Service Entrance Cap - 3-1/2" thru 4"



Part Number	Trade Size	Carton Qty.	"A"	"B"	"C"	"D"	"E"	"ØF"
5133698	3-1/2	5	12.500	11.000	2.000	3.125	8.000	4.015
5133699	4	1	16.000	11.000	2.750	2.500	10.250	4.515

Dimensions are nominal

- Made in USA

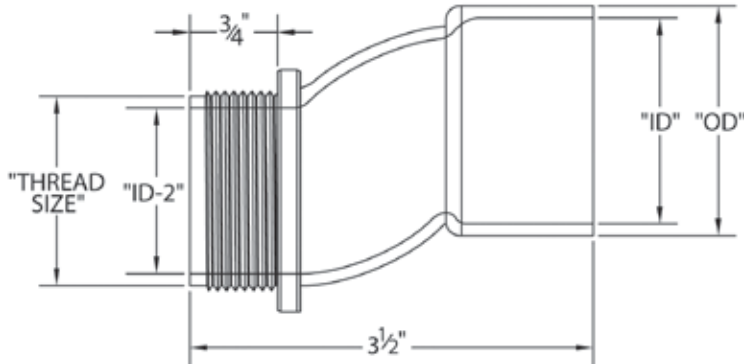
Meter Offset

Part Number	Trade Size	Carton Qty.	Thread Size	"ID"	"ID-2"	"OD"
5133183	1-1/4	15	1.625	1.625	1.375	2.000
*5133185	2	8	2.313	2.375	2.000	2.188

*CSA Certified

Dimensions are nominal

A Meter Offset is used to connect a conduit to a meter box. It is needed to move the path of the conduit away from a wall into the holes in a box or meter box.

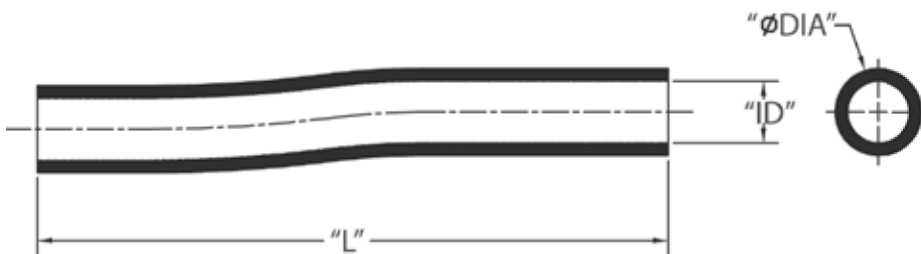


- For use with Schedule 40 & 80 applications
- One female threaded end and one solvent weld bell end
- NEMA TC-3 Compliant
- Made in USA

Conduit Offset

Part Number	Trade Size	Carton Qty.	"L"	"ID"	"DIA"
5133188	1/2	25	6.375	.625	.875
5133189	3/4	25	6.375	.750	1.063

Dimensions are nominal



Conduit offset is a plain end section of conduit formed to go around obstacles or compensate for centerline differences in two conduit runs.

- For use with Schedule 40 & 80 applications
- Two plain end spigot solvent weld ends
- Made from ETL listed rigid PVC conduit
- Made in USA

Conduit Bodies - Type LB



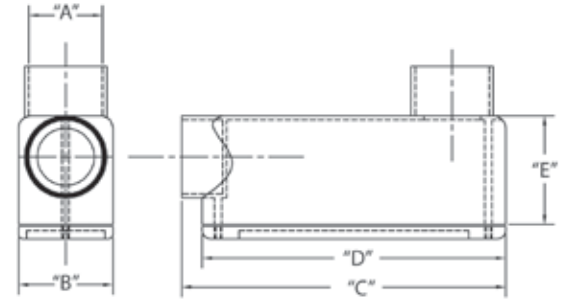
1/2" THROUGH 2"



2-1/2" THROUGH 4"

Conduit Body Type LB provides pull, splice, and tap access for conductors in a conduit system along with a change in direction. Type LB Conduit Bodies are used to make a 90-degree turn in a conduit run with one opening on top and one opening exiting from the back opposite the cover.

- Durable non-conductive PVC will not rust or corrode
- For use with Schedule 40 & 80 conduit
- Includes lid, gasket, and screws
- UL listed
- Made in USA



Part Number	Trade Size	Carton Quantity	"A"	"B"	"C"	"D"	"E"	Volume Cu. In.	3-Wire Fill
5133663	1/2	25	.875	1.313	4.188	4.000	1.438	4.3	#6 or smaller
5133664	3/4	15	1.063	1.500	4.938	4.625	1.625	6.5	#6 or smaller
5133665	1	10	1.313	1.750	5.875	5.375	2.000	11.8	#6 or smaller
5133666	1-1/4	10	1.688	2.500	7.563	7.188	2.375	25.0	XHHW #1
5133667	1-1/2	10	1.875	2.625	8.563	8.000	2.750	36.5	XHHW #2/0
5133668	2	5	2.375	3.125	9.813	9.563	3.375	63.5	XHHW #4/0
5133669	2-1/2	5	2.875	4.625	15.000	12.875	4.563	198.0	XHHW 500 MCM
5133670	3	5	3.643	4.625	15.125	12.875	4.563	198.0	XHHW 500 MCM
5133671	3-1/2	4	4.000	5.625	16.188	12.875	5.500	305.0	XHHW 500 MCM
5133672	4	4	4.000	5.625	16.188	12.875	5.500	305.0	XHHW 500 MCM

Dimensions are nominal

Conduit Bodies - Type LL



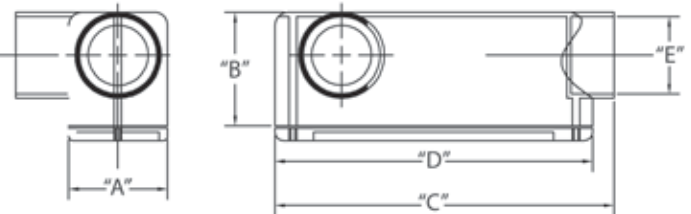
1/2" THROUGH 2"



2-1/2" THROUGH 4"

Conduit Body Type LL provides pull, splice, and tap access for conductors in a conduit system along with a change in direction. Type LL Conduit Bodies are used to make a 90-degree turn in a conduit run with one opening on top and one opening exiting the left side of the cover.

- Durable non-conductive PVC will not rust or corrode
- For use with Schedule 40 & 80 conduit
- Includes lid, gasket, and screws
- UL listed
- Made in USA



Part Number	Trade Size	Carton Quantity	"A"	"B"	"C"	"D"	"E"	Volume Cu. In.	3-Wire Fill
5133660	1/2	25	1.313	1.438	4.250	4.000	.875	4.3	#6 or smaller
5133661	3/4	15	1.500	1.625	4.938	4.625	1.063	6.5	#6 or smaller
5133662	1	10	1.750	2.000	6.000	5.375	1.313	11.8	#6 or smaller
5133649	1-1/4	10	2.438	2.438	7.625	7.188	1.625	25.0	XHHW #1
5133648	1-1/2	10	2.625	2.813	8.563	8.000	1.938	36.5	XHHW #2/0
5133647	2	5	3.063	3.438	9.875	9.500	2.375	63.5	XHHW #4/0
5133644	2-1/2	5	4.625	4.625	14.938	12.750	2.875	198.0	XHHW 500 MCM
5133646	3	5	4.625	4.625	15.000	12.813	3.500	198.0	XHHW 500 MCM
5133640	3-1/2	4	5.625	5.500	16.188	12.813	4.000	305.0	XHHW 500 MCM
5133645	4	4	5.625	5.500	15.938	12.813	4.500	305.0	XHHW 500 MCM

Dimensions are nominal

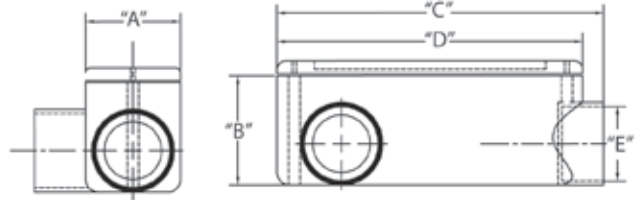
Conduit Bodies - Type LR



1/2" THROUGH 2"

Conduit Body Type LR provides pull, splice, and tap access for conductors in a conduit system along with a change in direction. Type LR Conduit Bodies are used to make a 90-degree turn in a conduit run with one opening on top and one opening exiting the right side of the cover.

- Durable non-conductive PVC will not rust or corrode
- For use with Schedule 40 & 80 conduit
- Includes lid, gasket, and screws
- UL listed
- Made in USA



2-1/2" THROUGH 4"

Part Number	Trade Size	Carton Quantity	"A"	"B"	"C"	"D"	"E"	Volume Cu. In.	3-Wire Fill
5133650	1/2	25	1.313	1.438	4.250	4.000	.875	4.3	#6 or smaller
5133651	3/4	15	1.500	1.625	4.938	4.625	1.063	6.5	#6 or smaller
5133652	1	10	1.750	2.000	6.000	5.375	1.313	11.8	#6 or smaller
5133653	1-1/4	10	2.438	2.438	7.625	7.188	1.625	25.0	XHHW #1
5133654	1-1/2	10	2.625	2.813	8.563	8.000	1.938	36.5	XHHW #2/0
5133655	2	5	3.063	3.438	9.875	9.500	2.375	63.5	XHHW #4/0
5133658	2-1/2	5	4.625	4.625	14.938	12.750	2.875	198.0	XHHW 500 MCM
5133656	3	5	4.625	4.625	15.000	12.813	3.500	198.0	XHHW 500 MCM
5133659	3-1/2	4	5.625	5.500	16.188	12.813	4.000	305.0	XHHW 500 MCM
5133657	4	4	5.625	5.500	15.938	12.813	4.500	305.0	XHHW 500 MCM

Dimensions are nominal

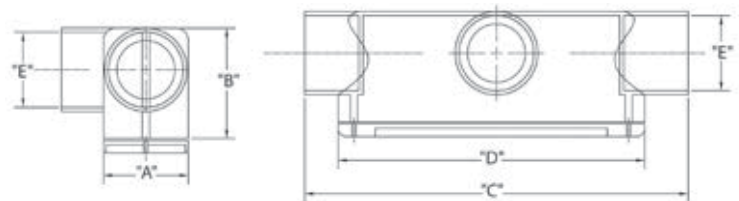
Conduit Bodies - Type T



1/2" THROUGH 2"

Conduit Body Type T provides pull, splice, and tap access for conductors in a conduit system along with a change in direction. Type T Conduit Bodies have three openings and are used to connect or add sections of a conduit run.

- Durable non-conductive PVC will not rust or corrode
- For use with Schedule 40 & 80 conduit
- Includes lid, gasket, and screws
- UL listed
- Made in USA



2-1/2" THROUGH 4"

Part Number	Trade Size	Carton Quantity	"A"	"B"	"C"	"D"	"E"	Volume Cu. In.	3-Wire Fill
5133563	1/2	25	1.938	1.500	4.625	4.000	.875	4.3	#6 or smaller
5133564	3/4	15	1.500	1.688	5.375	4.625	1.063	6.5	#6 or smaller
5133565	1	10	1.750	2.000	6.563	5.375	1.313	11.8	#6 or smaller
5133566	1-1/4	10	2.500	2.500	8.188	7.188	1.688	25.0	XHHW #1
5133567	1-1/2	10	2.625	2.813	9.250	8.000	1.938	36.5	XHHW #2/0
5133568	2	5	3.125	3.375	10.375	9.500	2.375	63.5	XHHW #4/0
5133569	2-1/2	2	4.625	4.625	19.000	12.875	3.500	198.0	XHHW 500 MCM
5133570	3	2	4.625	4.625	19.000	12.875	3.500	198.0	XHHW 500 MCM
5133572	3-1/2	1	5.563	5.563	20.375	13.750	4.000	305.0	XHHW 500 MCM
5133571	4	1	5.563	5.563	20.375	13.875	4.500	305.0	XHHW 500 MCM

Dimensions are nominal

Conduit Bodies - Type C



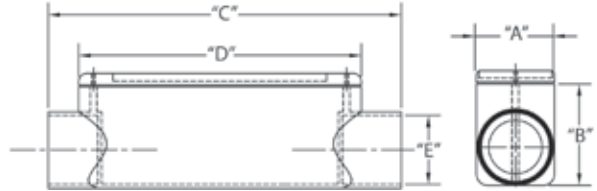
1/2" THROUGH 2"



2-1/2" THROUGH 4"

Conduit Body Type C provides pull, splice, and tap access for conductors in a conduit system. Type C Conduit Bodies have openings on each end and are for straight conduit run.

- Durable non-conductive PVC will not rust or corrode
- For use with Schedule 40 & 80 conduit
- Includes lid, gasket, and screws
- UL listed
- Made in USA



Part Number	Trade Size	Carton Quantity	"A"	"B"	"C"	"D"	"E"	Volume Cu. In.	3-Wire Fill
5133101	1/2	25	1.938	1.500	4.625	4.000	.875	4.3	#6 or smaller
5133102	3/4	15	1.500	1.688	5.375	4.625	1.063	6.5	#6 or smaller
5133103	1	10	1.750	2.000	6.563	5.375	1.313	11.8	#6 or smaller
5133104	1-1/4	10	2.500	2.500	8.188	7.188	1.688	25.0	XHHW #1
5133105	1-1/2	10	2.625	2.813	9.250	8.000	1.938	36.5	XHHW #2/0
5133106	2	5	3.125	3.375	10.375	9.500	2.375	63.5	XHHW #4/0
5133108	2-1/2	5	4.625	4.625	19.000	12.875	2.875	198.0	XHHW 500 MCM
5133107	3	5	4.625	4.625	19.000	12.875	3.500	198.0	XHHW 500 MCM
5133110	3-1/2	4	5.563	5.563	20.375	13.750	4.000	305.0	XHHW 500 MCM
5133109	4	4	4.000	5.563	20.188	13.875	4.500	305.0	XHHW 500 MCM

Dimensions are nominal

Conduit Bodies - Type E



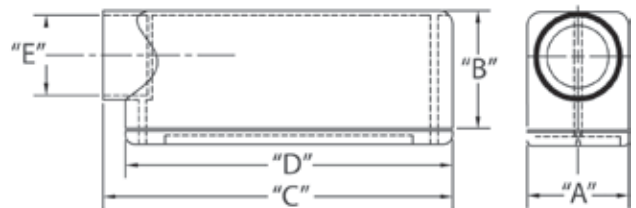
1/2" THROUGH 2"



2-1/2" THROUGH 4"

Conduit Body Type E provides pull, splice, and tap access for conductors in a conduit system. Type E Conduit Bodies have one opening on the end and are use to terminate a conduit runs

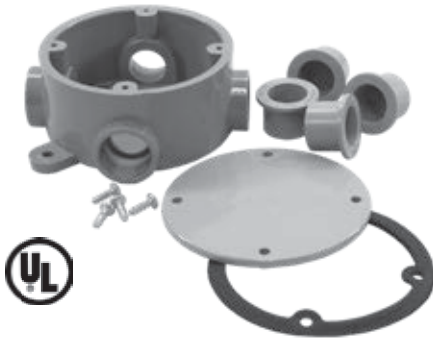
- Durable non-conductive PVC will not rust or corrode
- For use with Schedule 40 & 80 conduit
- Includes lid, gasket, and screws
- UL listed
- Made in USA



Part Number	Trade Size	Carton Quantity	"A"	"B"	"C"	"D"	"E"	Volume Cu. In.	3-Wire Fill
5133151	1/2	25	1.313	1.438	4.250	4.000	.875	4.3	#6 or smaller
5133152	3/4	15	1.500	1.625	4.938	4.625	1.063	6.5	#6 or smaller
5133153	1	10	1.750	2.000	6.000	5.375	1.313	11.8	#6 or smaller
5133154	1-1/4	10	2.438	2.438	7.625	7.188	1.625	25.0	XHHW #1
5133155	1-1/2	10	2.625	2.813	8.563	8.000	1.938	36.5	XHHW #2/0
5133156	2	5	3.063	3.438	9.875	9.500	2.375	63.5	XHHW #4/0
5133157	2-1/2	5	4.625	4.625	14.938	12.750	2.875	198.0	XHHW 500 MCM
5133158	3	5	4.625	4.625	15.000	12.813	3.500	198.0	XHHW 500 MCM
5133160	3-1/2	4	5.625	5.500	16.188	12.813	4.000	305.0	XHHW 500 MCM
5133159	4	4	5.625	5.500	15.938	12.813	4.500	305.0	XHHW 500 MCM

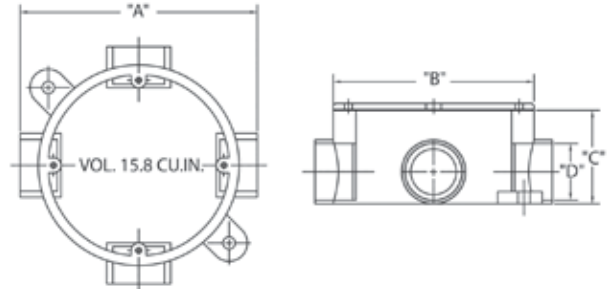
Dimensions are nominal

Round Junction Box



Round Junction Boxes are designed to support electrical devices and fixtures. They also provide necessary protection for wires and terminals. They are 4" round enclosure with four entrance hubs. Round Junction Boxes are surface mounted to walls or ceilings to terminate conduit runs or join two to four conduits at a common point.

- Material is Rigid PVC
- 1/2 in. and 3/4 in. socket outlets
- Includes cover, gasket, and screws
- UL Listed
- Made in USA



Part Number	Trade Size	Carton Quantity	"A"	"B"	"C"	"D"
5133690	1/2 & 3/4	15	4.750	4.063	1.875	1.063

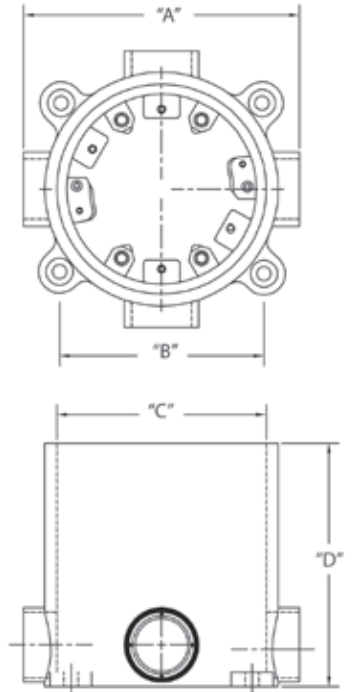
Dimensions are nominal

Round Floor Box



Round Floor Box are designed to be embedded in concrete floor giving access to power, data, and communication lines with some excess length remaining above the plane of the floor. They are sold as a kit with one leveling ring, 4 blank hubs (Stoppers), 4 reducing bushings and one polyethylene temporary pour lid.

- 15.0 cubic inch per inch of depth
- 90.0 cubic inch maximum volume
- Minimum concrete depth - 3"
- PVC molded ports and reducer plugs included
- Concrete tight
- UL listed
- Made in USA



Part Number	Trade Size	Carton Quantity	"A"	"B"	"C"	"D"
5133760	Floor Box Base 4-3/4" Hubs, 4-3/4" to 1/2" Reducers, Leveling Ring and Pour Cover	9	6.438	3.563	4.563	6.000
5133758	Floor Box Base 2-3/4" Hubs & 2-1" Hubs 2-3/4" to 1/2" Reducers, 2-1" to 3/4" Reducers, Leveling Ring and Pour Cover	9	6.438	3.563	4.563	6.000

Dimensions are nominal

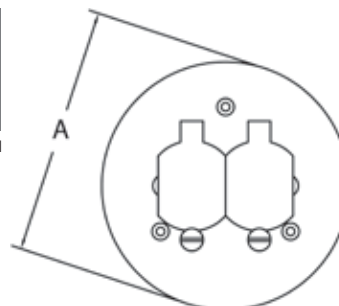
Duplex Cover - Bronze

Part Number	Trade Size	Carton Quantity	"A"
5133678	Duplex Cover - Bronze	10	5.500

Dimensions are nominal

Round Floor Box Covers are designed to be used with CANTEX Round Floor Boxes with duplex outlets.

- Material is polycarbonate
- Decorative bronze color
- UL listed



Junction Box

Molded Junction Box

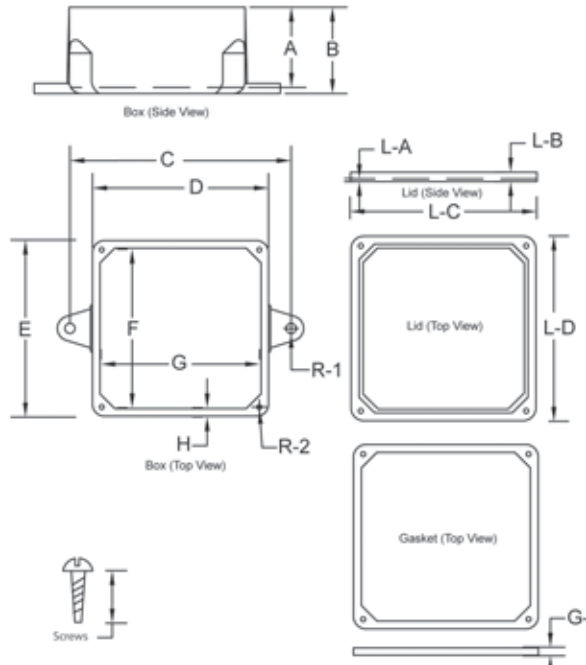
Junction Boxes are designed to support electrical devices and fixtures. They also provide necessary protection for wires and terminals.



- Material is Rigid PVC
- Neoprene gasket with zinc plated steel screws
- UL Listed, UL Marine Listed
- Made in USA



UL Category - QCPU
UL File #E205935
Control #92CM



Fabricated Junction Box



- Material is Rigid PVC
- Neoprene gasket with zinc plated steel screws
- Fully gasketed cover
- Made in USA
- See certifications below

Part Number	Trade Size	Description	Carton Qty.	Junction Box Base										Cover				Screws
				"A"	"B"	"C"	"D"	"E"	"F"	"G"	"H"	"J"	"K"	"A"	"B"	"C"	"D"	
5133705 ¹	4x4x2	Molded	10	2.000	2.150	5.375	4.400	4.400	4.000	4.000	.250	.125	.160	.240	.370	4.375	4.375	#8 x 1/2"
5133709 ¹	4x4x4	Molded	10	4.000	4.150	5.375	4.400	4.400	4.000	4.000	.250	.188	.160	.240	.700	4.375	4.375	#8 x 1/2"
5133707 ¹	4x4x6	Molded	10	6.000	6.150	5.375	4.400	4.400	4.000	4.000	.250	.188	.160	.240	.370	4.375	4.375	#8 x 1/2"
5133706 ¹	5x5x2	Molded	10	2.000	2.170	6.375	5.375	5.375	5.000	5.000	.250	.188	.170	.180	.267	5.375	5.375	#8 x 1/2"
5133710 ¹	6x6x4	Molded	10	4.000	4.200	7.375	6.438	6.438	6.000	6.000	.250	.188	.220	.180	.350	6.750	6.750	#8 x 1/2"
5133711 ¹	6x6x6	Molded	5	6.000	6.250	7.375	6.438	6.438	6.000	6.000	.250	.188	.220	.180	.350	6.750	6.750	#8 x 1/2"
5133712 ¹	8x8x4	Molded	5	4.000	4.250	9.375	8.625	8.625	8.000	8.000	.250	.188	.220	.180	.350	9.000	9.000	#10 x 3/4"
5133164 ¹	8x8x6	Molded	4	6.000	6.250	9.375	8.625	8.625	8.000	8.000	.250	.188	.220	.180	.350	9.000	9.000	#10 x 3/4"
5133708 ¹	8x8x7	Molded	4	7.000	7.250	9.375	8.625	8.625	8.000	8.000	.250	.188	.220	.180	.350	9.000	9.000	#10 x 3/4"
5133714 ¹	12x12x4	Molded	2	4.000	4.250	13.625	12.625	12.625	11.875	11.875	.250	.188	.220	.220	.437	13.000	13.000	#10 x 3/4"
5133713 ¹	12x12x6	Molded	2	6.000	6.250	13.750	12.625	12.625	11.875	11.875	.250	.188	.220	.220	.437	13.000	13.000	#10 x 3/4"
**5133163	16x14x6	Molded	1	6.000	6.950	16.000	14.875	16.875	16.000	14.000	.250	.188	.250	.250	.437	14.000	16.000	#10 x 3/4"
*5133165	24x18x8	Fab	1	--	--	--	--	--	--	--	--	--	--	--	--	--	--	--
*5133161	24x18x12	Fab	1	--	--	--	--	--	--	--	--	--	--	--	--	--	--	--
*5133166	24x24x8	Fab	1	--	--	--	--	--	--	--	--	--	--	--	--	--	--	--
*5133173	36x24x8	Fab	1	--	--	--	--	--	--	--	--	--	--	--	--	--	--	--

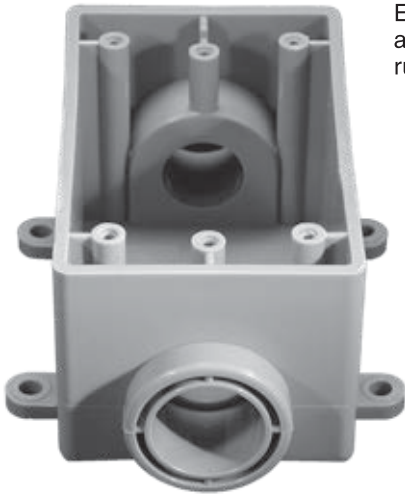
* Not UL Listed - 4X NEMA Rating

1. NEMA Ratings for Types, 1, 3, 3S, 4, 4X, 5, 6, and 6P

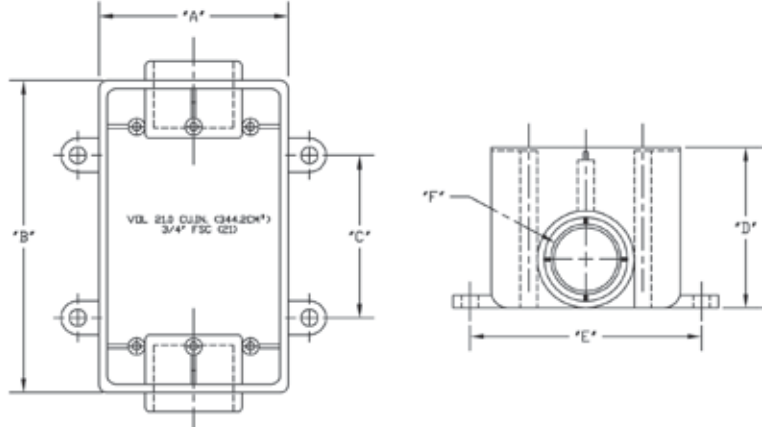
Dimensions are nominal

** UL Listed with only a Type 1 NEMA Rating

Type FSC Single Gang Box



Exposed Boxes Type FSC are designed for use in indoor and outdoor locations where the boxes are exposed and subject to environmental conditions. Type FSC is intended for straight line conduit runs with one hub on each of the two short walls of the box.

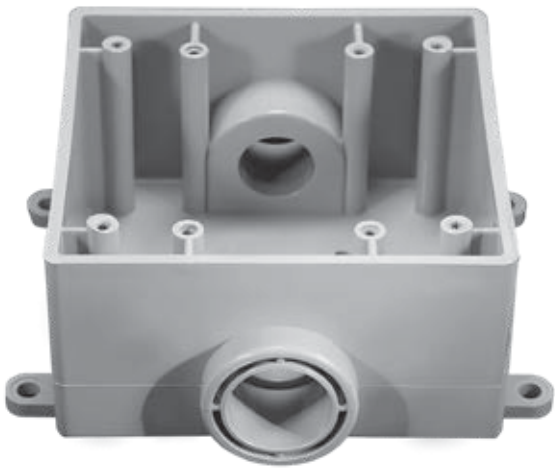


Part Number	Trade Size	Carton Quantity	"A"	"B"	"C"	"D"	"E"	"F"
5133463	1/2	10	2.813	4.563	2.625	2.375	3.438	.875
5133464	3/4	10	2.813	4.563	2.625	2.375	3.438	1.063
5133465	1	10	2.813	4.563	2.625	2.375	3.438	1.313

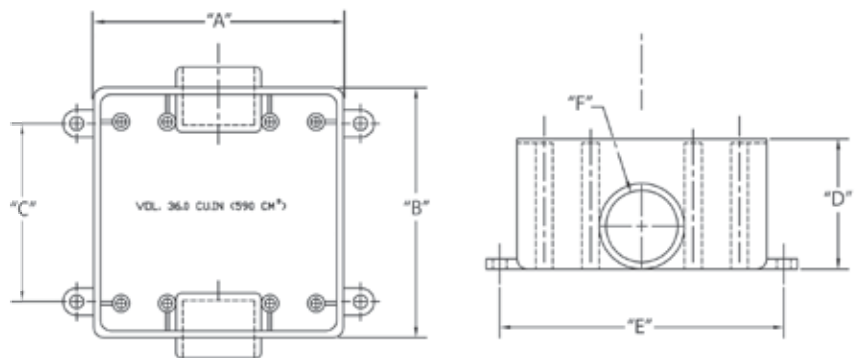
Dimensions are nominal

- 21.0 cu. in. surface mount box
- Durable non-conductive PVC will not rust or corrode
- Cover sold separately
- UL Listed and UL Marine Listed
- Approved for use in concrete
- Made in USA

Type FSC Two Gang Box



Exposed Boxes Type FSC are designed for use in indoor and outdoor locations where boxes are exposed and subject to environmental conditions. Type FSC is intended for straight line conduit runs with one hub on each end of the box.



Part Number	Trade Size	Carton Quantity	"A"	"B"	"C"	"D"	"E"	"F"
5133370	1/2	5	4.563	4.563	3.250	2.375	5.250	.875
5133371	3/4	5	4.563	4.563	3.250	2.375	5.250	1.063
5133372	1	5	4.563	4.563	3.250	2.375	5.250	1.313

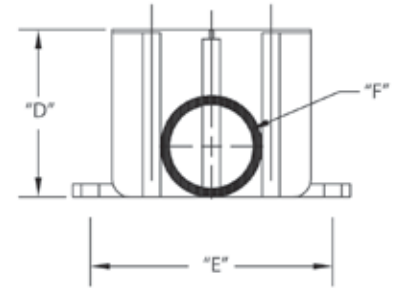
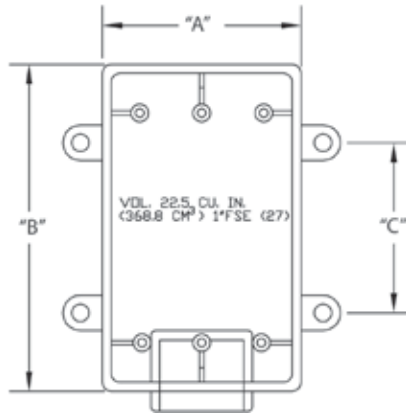
Dimensions are nominal

- 36.0 cu. in. surface mount box
- Durable non-conductive PVC will not rust or corrode
- Cover sold separately
- UL Listed and UL Marine Listed
- Approved for use in concrete
- Made in USA

Type FSE Single Gang Box



Exposed Boxes Type FSE are designed for use in indoor and outdoor locations where boxes are exposed and subject to environmental conditions. Type FSE is intended for conduit termination with one conduit hub and no outlet.



- 22.5 cu. in. surface mount box
- Durable non-conductive PVC will not rust or corrode
- Cover sold separately
- UL Listed and UL Marine Listed
- Approved for use in concrete
- Made in USA

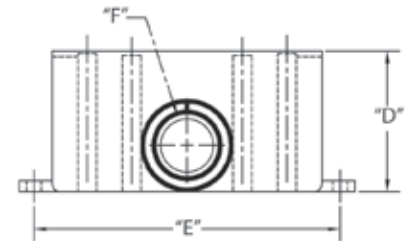
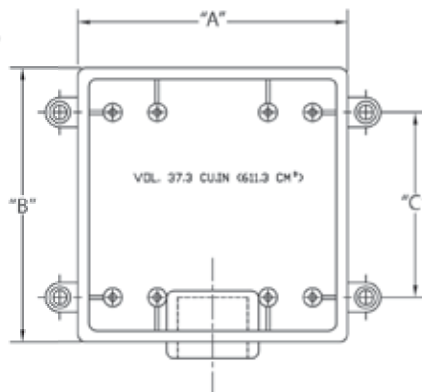
Part Number	Trade Size	Carton Quantity	"A"	"B"	"C"	"D"	"E"	"F"
5133363	1/2	10	2.875	4.563	2.625	2.375	3.438	.875
5133364	3/4	10	2.875	4.563	2.625	2.375	3.438	1.063
5133365	1	10	2.875	4.563	2.625	2.375	3.438	1.313

Dimensions are nominal

Type FSE Two Gang Box



Exposed Boxes Type FSE are designed for use in indoor and outdoor locations where the boxes are exposed and subject to environmental conditions. Type FSE is intended for conduit termination with one conduit hub and no outlet.

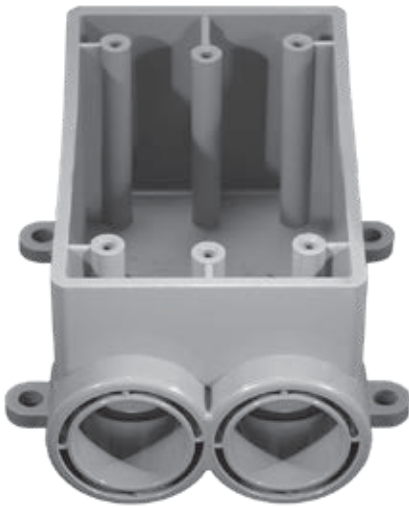


- 37.3 cu. in. surface mount box
- Durable non-conductive PVC will not rust or corrode
- Cover sold separately
- Approved for use in concrete
- UL Listed and UL Marine Listed
- Made in USA

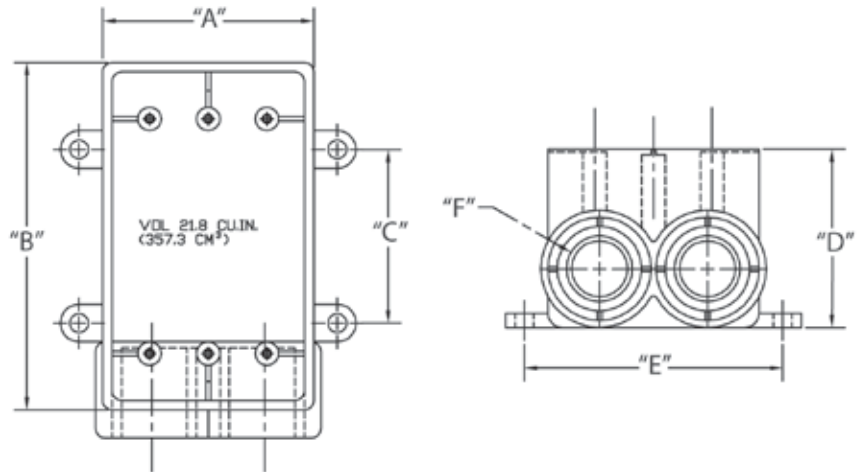
Part Number	Trade Size	Carton Quantity	"A"	"B"	"C"	"D"	"E"	"F"
5133380	1/2	5	4.563	4.563	3.250	2.375	5.250	.875
5133381	3/4	5	4.563	4.563	3.250	2.375	5.250	1.063
5133382	1	5	4.563	4.563	3.250	2.375	5.250	1.313

Dimensions are nominal

Type FSS Single Gang Box



Exposed Boxes Type FSS designed for use in indoor and outdoor locations where boxes are exposed and subject to environmental conditions. Type FSS is intended for conduit termination with two conduit hubs on one end and no outlet.



- 21.8 cu. in. surface mount box
- Durable non-conductive PVC will not rust or corrode
- Cover sold separately
- UL Listed and UL Marine Listed
- Approved for use in concrete
- Made in USA

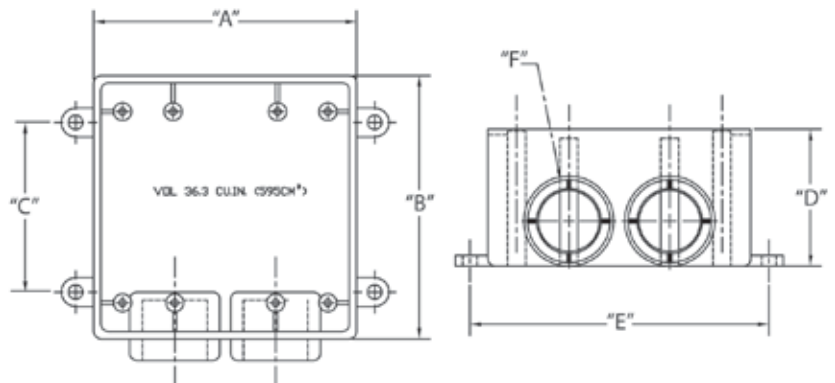
Part Number	Trade Size	Carton Quantity	"A"	"B"	"C"	"D"	"E"	"F"
5133540	1/2	10	2.813	4.625	2.625	2.375	3.500	.875
5133542	3/4	10	2.813	4.625	2.625	2.375	3.500	1.063
5133543	1	10	2.813	4.625	2.625	2.375	3.500	1.313

Dimensions are nominal

Type FSS Two Gang Box



Exposed Boxes Type FSS designed for use in indoor and outdoor locations where boxes are exposed and subject to environmental conditions. Type FSS is intended for conduit termination with two conduit hubs on one end and no outlet.

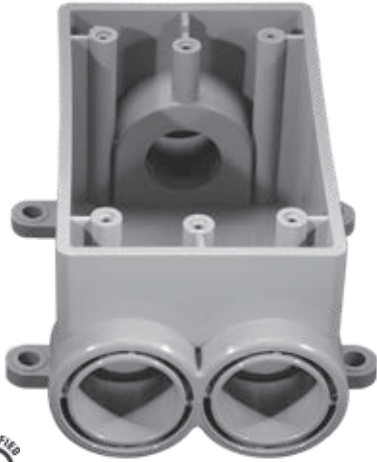


- 36.3cu. in. surface mount box
- Durable non-conductive PVC will not rust or corrode
- Cover sold separately
- Approved for use in concrete
- UL Listed and UL Marine Listed
- Made in USA

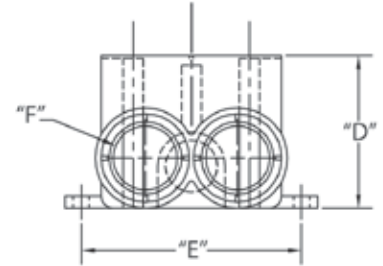
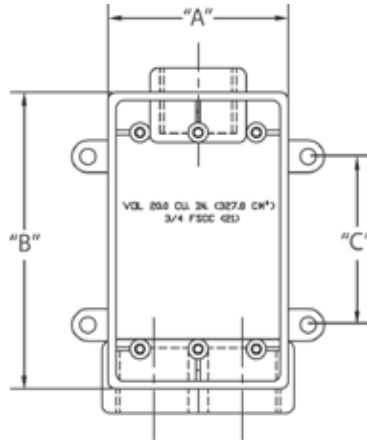
Part Number	Trade Size	Carton Quantity	"A"	"B"	"C"	"D"	"E"	"F"
5133390	1/2	5	4.563	4.563	3.250	2.375	5.250	.875
5133391	3/4	5	4.563	4.563	3.250	2.375	5.250	1.063
5133392	1	5	4.563	4.563	3.250	2.375	5.250	1.313

Dimensions are nominal

Type FSCC Single Gang Box



Exposed Boxes Type FSCC are designed for use in indoor and outdoor locations where boxes are exposed and subject to environmental conditions. Type FSCC is intended for straight line conduit runs with two conduit hubs on one end and one conduit hub on the opposite side.



- 20.0 cu. in. surface mount box
- Durable non-conductive PVC will not rust or corrode
- Cover sold separately
- UL Listed and UL Marine Listed
- Approved for use in concrete
- Made in USA

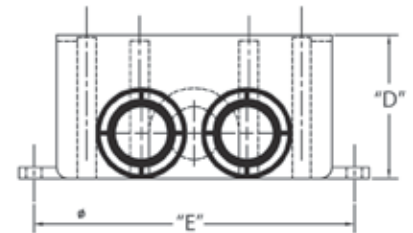
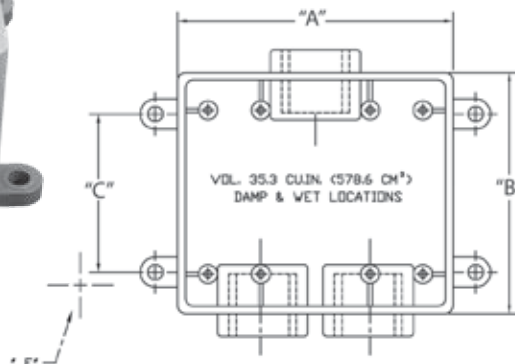
Part Number	Trade Size	Carton Quantity	"A"	"B"	"C"	"D"	"E"	"F"
5133544	1/2	10	2.813	4.625	2.625	2.375	3.438	.875
5133545	3/4	10	2.813	4.625	2.625	2.375	3.438	1.063
5133546	1	10	2.813	4.625	2.625	2.375	3.438	1.313

Dimensions are nominal

Type FSCC Two Gang Box



Exposed Boxes Type FSCC are designed for use in indoor and outdoor locations where boxes are exposed and subject to environmental conditions. Type FSCC is intended is intended for straight line conduit runs with two conduit hubs on one end and one conduit hub on the opposite side.



- 35.3 cu. in. surface mount box
- Durable non-conductive PVC will not rust or corrode
- Cover sold separately
- UL Listed and UL Marine Listed
- Approved for use in concrete
- Made in USA

Part Number	Trade Size	Carton Quantity	"A"	"B"	"C"	"D"	"E"	"F"
5133400	1/2	5	4.563	4.563	3.250	2.375	5.250	.875
5133401	3/4	5	4.563	4.563	3.250	2.375	5.250	1.063
5133402	1	5	4.563	4.563	3.250	2.375	5.250	1.313

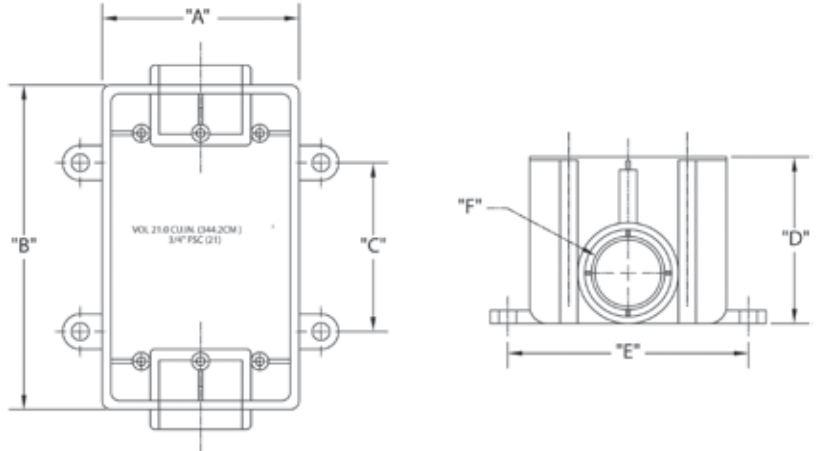
Dimensions are nominal

Type FDC Single Gang Box



- FD boxes are the deepest exposed boxes
- 26.8 cu. in. surface mount box
- Durable non-conductive PVC will not rust or corrode
- Cover sold separately
- UL Listed
- Made in USA

Exposed Boxes Type FDC designed for use in indoor and outdoor locations where boxes are exposed and subject to environmental conditions. Type FDC is intended for straight line conduit runs with one opening on each of the two short walls of the box. FD boxes are the deepest exposed boxes. They provide space for large devices and additional wiring capacity.



Part Number	Trade Size	Carton Quantity	"A"	"B"	"C"	"D"	"E"	"F"
5133310	1/2	10	2.563	4.563	2.625	2.938	3.500	.875
5133311	3/4	10	2.563	4.563	2.625	2.938	3.500	1.063
5133312	1	10	2.563	4.563	2.625	2.938	3.500	1.313

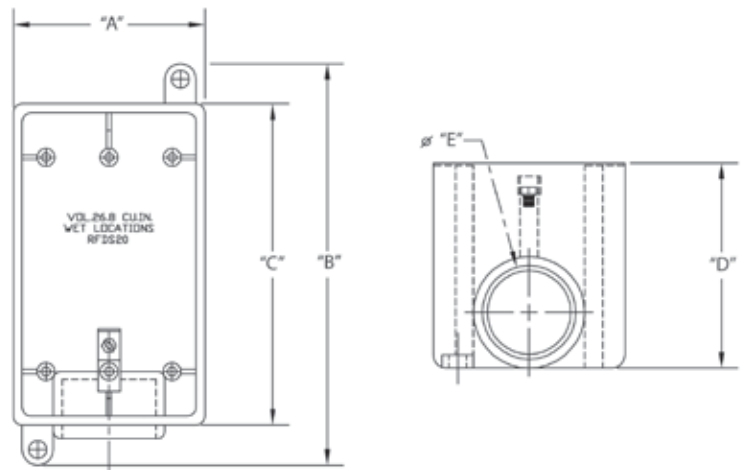
Dimensions are nominal

Type FDE Single Gang Box



- FD boxes are the deepest exposed boxes
- 26.8 cu. in. surface mount box
- Durable non-conductive PVC will not rust or corrode
- Cover sold separately
- UL Listed
- Made in USA

Exposed Boxes Type FDE are designed for use in indoor and outdoor locations where boxes are exposed and subject to environmental conditions. Type FDE is intended for conduit termination with one conduit opening and no outlet. FD boxes are the deepest exposed boxes. They provide space for large devices and additional wiring capacity.



Part Number	Trade Size	Carton Quantity	"A"	"B"	"C"	"D"	"E"
5133300	1/2	10	2.688	5.875	4.500	2.875	.875
5133301	3/4	10	2.688	5.875	4.500	2.875	1.063
5133302	1	10	2.688	5.875	4.500	2.875	1.313

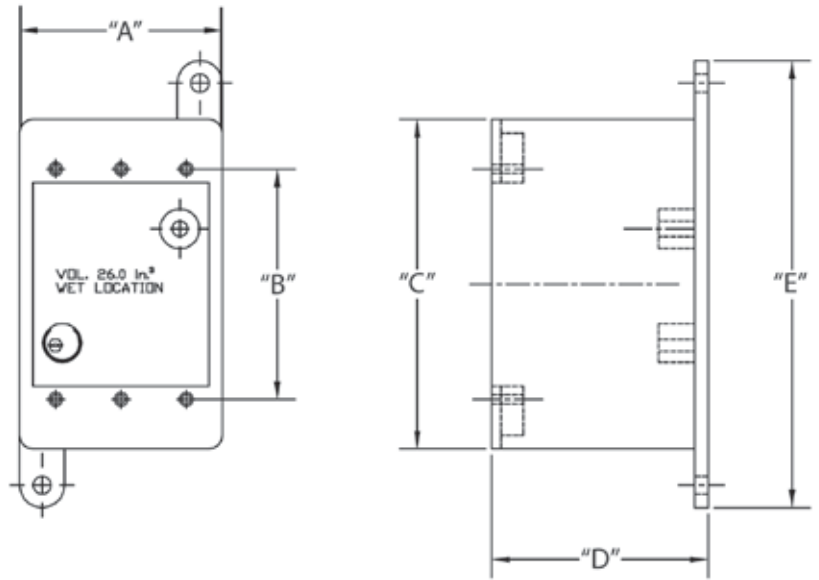
Dimensions are nominal

Type FD-Blank Single Gang Box



CANTEX 5133420 is a Type FD Blank Exposed Box. These 1-gang boxes are designed for use in indoor and outdoor locations where the boxes may be subject to environmental conditions.

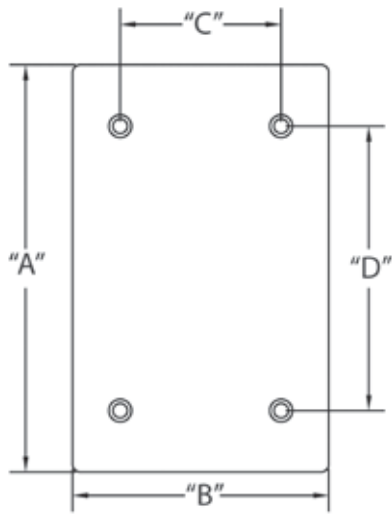
- Type FD is designed to allow for a hub opening to be cut into the box depending on application
- 26.0 cu. in. surface mount box
- Durable non-conductive PVC will not rust or corrode
- Cover sold separately
- UL Listed



Part Number	Trade Size	Carton Quantity	"A"	"B"	"C"	"D"	"E"
5133420	--	10	2.813	3.313	4.563	3.000	6.125

Dimensions are nominal

Blank Single Gang Cover



CANTEX 5133362 is a 1-Gang Weatherproof Blank Cover designed for use with exposed weatherproof boxes.

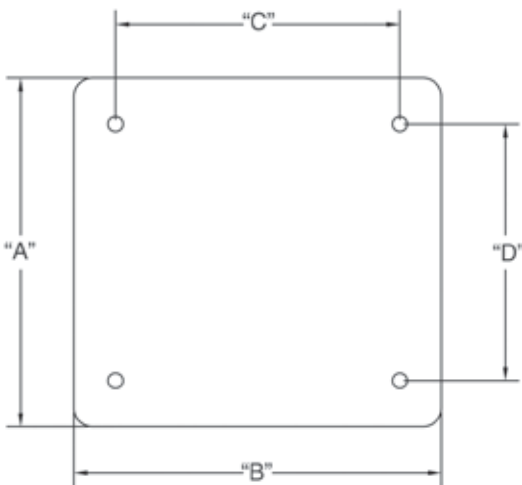
- Includes gasket and screws
- For use in wet or damp locations
- Durable non-conductive PVC will not rust or corrode
- UL Listed and UL Marine Listed
- Made in USA



Part Number	Trade Size	Carton Quantity	"A"	"B"	"C"	"D"
5133362	--	50	4.600	2.860	1.875	3.313

Dimensions are nominal

Blank Two Gang Cover



CANTEX 5133410 is a 2-Gang Weatherproof Blank Cover designed for use with exposed weatherproof boxes.

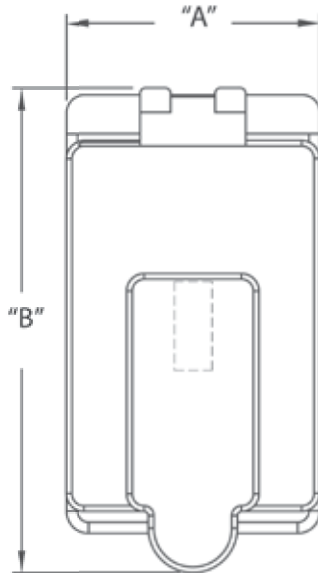
- Includes gasket and screws
- For use in wet or damp locations
- Durable non-conductive PVC will not rust or corrode
- UL Listed and UL Marine Listed
- Made in USA



Part Number	Trade Size	Carton Quantity	"A"	"B"	"C"	"D"
5133410	--	25	4.688	4.938	3.813	3.438

Dimensions are nominal

Single Gang Switch Cover



CANTEX 5133361 is a 1-Gang Weatherproof Switch Cover designed for use with exposed weatherproof boxes. For use in wet or damp locations.

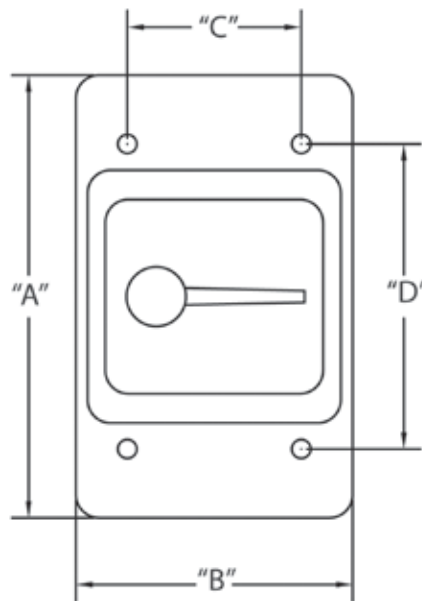
- Durable non-conductive PVC will not rust or corrode
- Includes gasket and screws.
- UL Listed
- Made in USA

Part Number	Trade Size	Carton Quantity	"A"	"B"
5133361	--	10	2.850	4.930

Dimensions are nominal



Single Gang Toggle Switch Cover



CANTEX 5133330 is a 1-Gang Weatherproof Toggle Switch Cover designed for use with exposed weatherproof boxes.

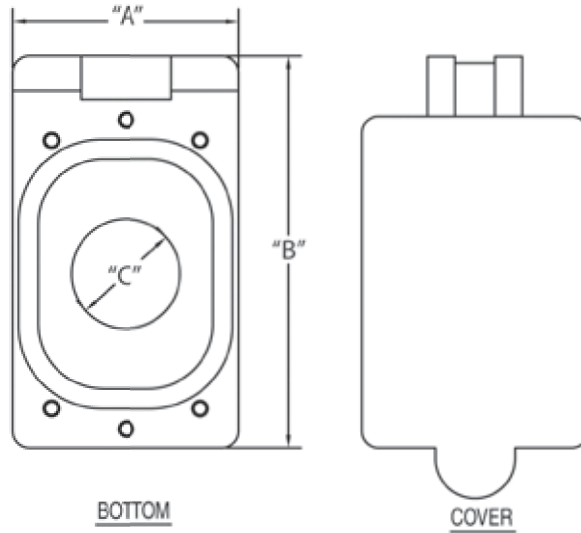
- Includes gasket and screws
- For use in wet or damp locations
- Durable non-conductive PVC will not rust or corrode
- UL Listed
- Made in USA

Part Number	Trade Size	Carton Quantity	"A"	"B"	"C"	"D"
5133330	--	10	4.813	3.000	1.875	3.313

Dimensions are nominal



Single Gang Single Receptacle Cover



CANTEX 5133350 is a 1-Gang Weatherproof Receptacle Cover designed for use with exposed weatherproof boxes.

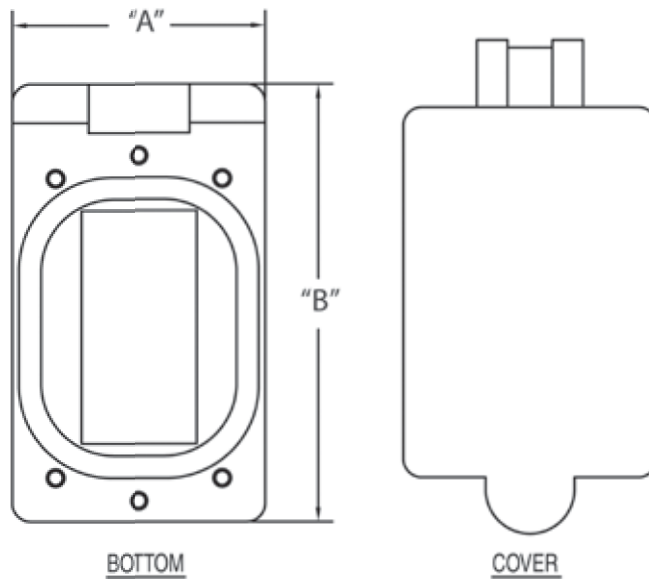
- Includes gasket and screws
- For use in wet or damp locations
- Durable non-conductive PVC will not rust or corrode
- UL Listed
- Made in USA

Part Number	Trade Size	Carton Quantity	"A"	"B"	"C"
5133350	15 amp	10	2.850	4.930	1.375
5133320	20 amp	10	2.850	4.930	1.625
5133321	30 amp	10	2.850	4.930	1.722
5133322	50 amp	10	2.850	4.930	2.187

Dimensions are nominal



Single Gang GFI Receptacle Cover



CANTEX 5133348 is a 1-Gang Weatherproof GFI Receptacle Cover designed for use with exposed weatherproof boxes.

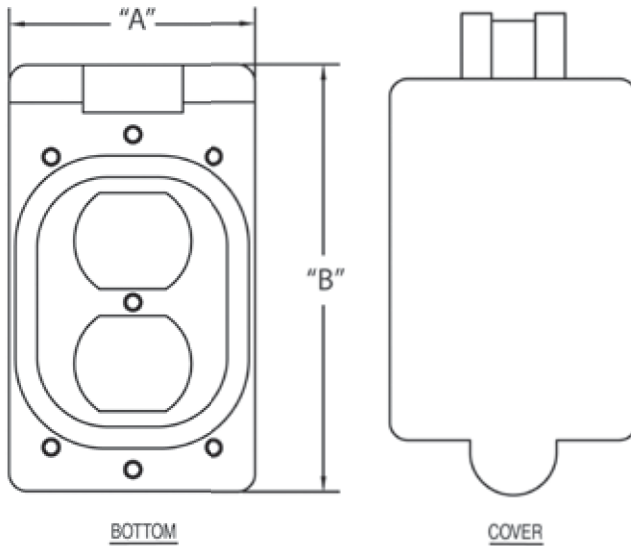
- Includes gasket and screws
- For use in wet or damp locations
- Durable non-conductive PVC will not rust or corrode
- UL Listed
- Made in USA

Part Number	Trade Size	Carton Quantity	"A"	"B"
5133348	--	10	2.850	4.930

Dimensions are nominal



Single Gang Duplex Receptacle Cover



CANTEX 5133352 is a 1-Gang Weatherproof Duplex Receptacle Cover designed for use with exposed weatherproof boxes.

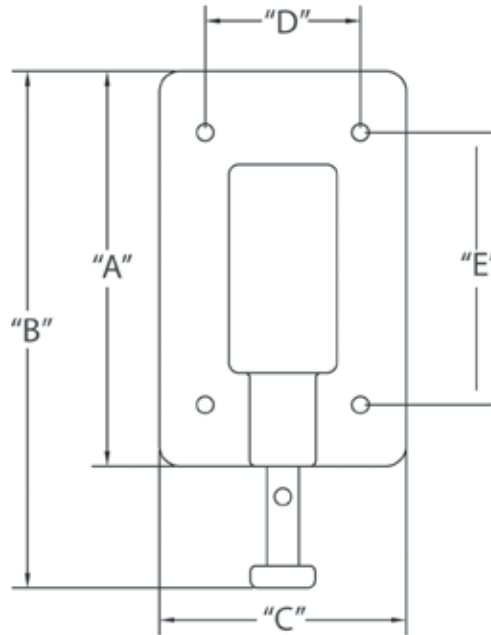
- Includes gasket and screws
- For use in wet or damp locations
- Durable non-conductive PVC will not rust or corrode
- UL Listed
- Made in USA



Part Number	Trade Size	Carton Quantity	"A"	"B"
5133352	--	10	2.850	4.930

Dimensions are nominal

Single Gang Plunger Switch Cover



CANTEX 5133335 is a 1-Gang Weatherproof Plunger Switch Cover designed for use with exposed weatherproof boxes.

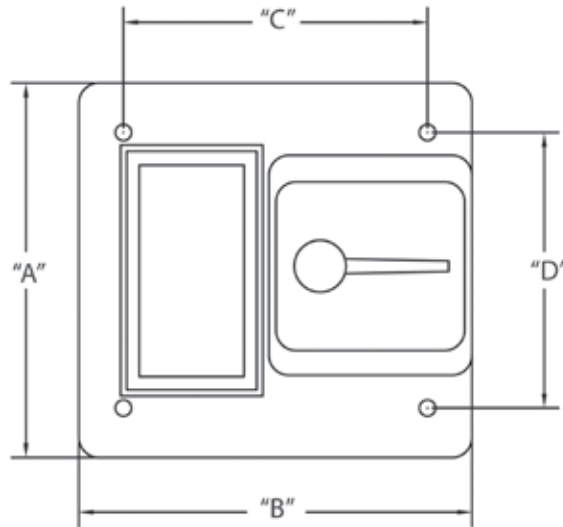
- Includes gasket and screws
- For use in wet or damp locations
- Durable non-conductive PVC will not rust or corrode
- UL Listed
- Made in USA



Part Number	Trade Size	Carton Quantity	"A"	"B"	"C"	"D"	"E"
5133335	--	10	4.813	6.250	3.000	1.875	3.313

Dimensions are nominal

Two Gang GFI & Toggle Cover



CANTEX 5133345 is a 2-Gang Weatherproof GFI & Toggle Switch Cover designed for use with exposed weatherproof boxes.

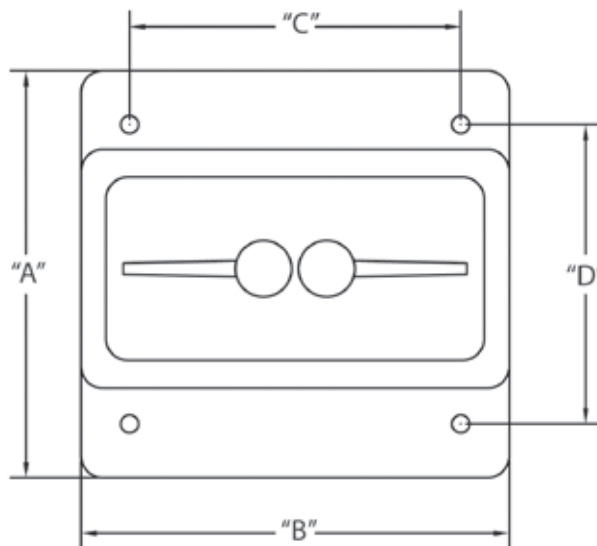
- Includes gasket and screws
- For use in wet or damp locations
- Durable non-conductive PVC will not rust or corrode
- UL Listed
- Made in USA



Part Number	Trade Size	Carton Quantity	"A"	"B"	"C"	"D"
5133345	--	10	4.688	4.875	3.813	3.438

Dimensions are nominal

Two Gang Toggle Switch Cover



CANTEX 5133331 is a 2-Gang Weatherproof Toggle Switch Cover designed for use with exposed weatherproof boxes.

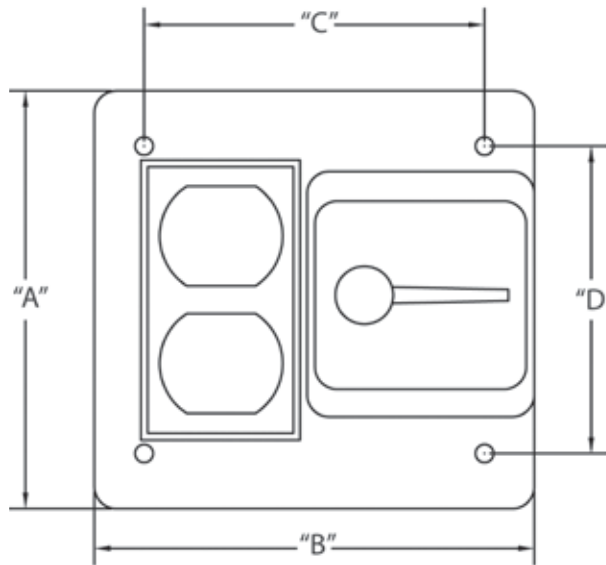
- Includes gasket and screws
- For use in wet or damp locations
- Durable non-conductive PVC will not rust or corrode
- UL Listed
- Made in USA



Part Number	Trade Size	Carton Quantity	"A"	"B"	"C"	"D"
5133331	--	10	4.688	4.938	3.813	3.438

Dimensions are nominal

Two Gang Duplex & Toggle Switch Cover



CANTEX 5133337 is a 2-Gang Weatherproof Duplex & Toggle Switch Cover designed for use with exposed weatherproof boxes.

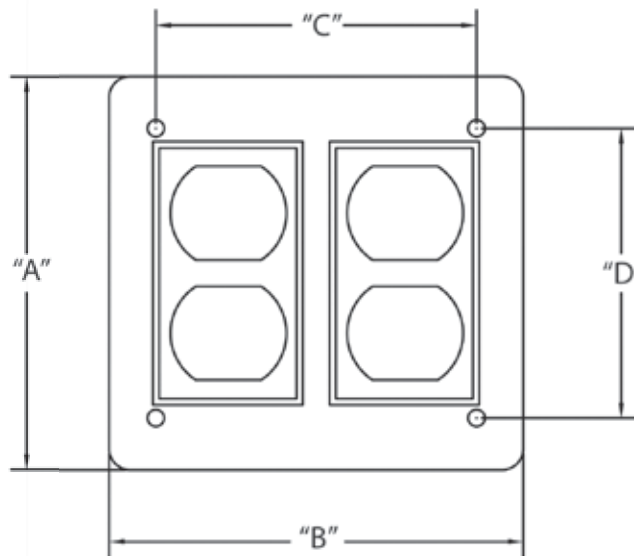
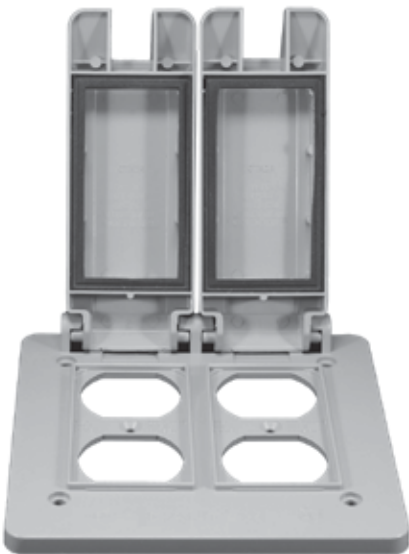
- Includes gasket and screws
- For use in wet or damp locations
- Durable non-conductive PVC will not rust or corrode
- UL Listed
- Made in USA



Part Number	Trade Size	Carton Quantity	"A"	"B"	"C"	"D"
5133337	--	10	4.688	4.875	3.813	3.438

Dimensions are nominal

Two Gang Double Duplex Cover



CANTEX 5133347 is a 2-Gang Weatherproof Double Duplex Cover designed for use with exposed weatherproof boxes.

- Includes gasket and screws
- For use in wet or damp locations
- Durable non-conductive PVC will not rust or corrode
- UL Listed
- Made in USA



Part Number	Trade Size	Carton Quantity	"A"	"B"	"C"	"D"
5133347	--	10	4.688	4.875	3.813	3.438

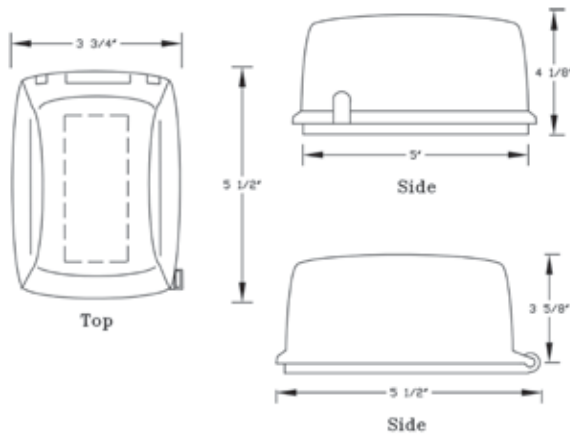
Dimensions are nominal

Single Gang In-Use Cover

CANTEX 5133694 is a 1-Gang Weatherproof In-Use Cover designed for use with exposed weatherproof boxes. It is an excellent standard depth cover for 16 gauge or lighter cord sets for vending machines, holiday lighting, landscape lighting and portable signs. It provides plug and outlet protection for any single gang application.

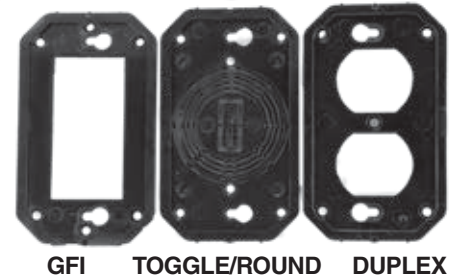
15 and 20 amps, 125 and 250V receptacles installed in wet locations shall have an enclosure that is weatherproof whether or not the attachment plug cap is inserted.

- Includes gasket and screws
- Plug and outlet protection for any single gang application
- For use in wet or damp locations
- Constructed with durable polycarbonate for extra strength
- UL listed



Part Number	Depth	Carton Quantity
5133694	3.625	6

Dimensions are nominal



Includes three patented rotating inserts providing 16 configurations

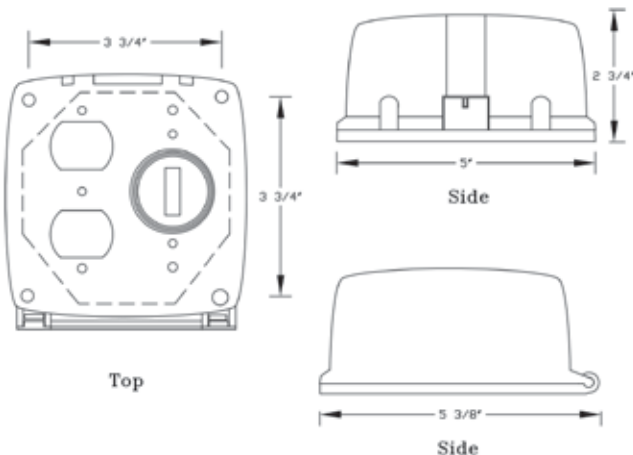


Meets 2005 NEC 406.8 (B) code.

Two Gang In-Use Cover

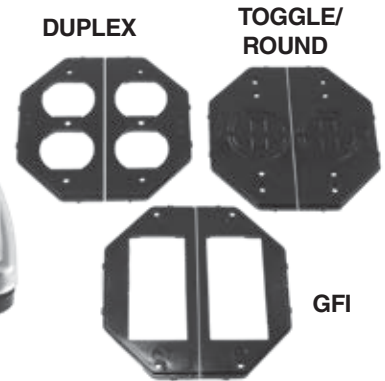
CANTEX 5133693 is a 2-Gang Weatherproof In-Use Cover is designed for use with exposed weatherproof boxes. It is an excellent standard depth cover for 16 gauge or lighter cord sets for vending machines, holiday lighting, landscape lighting and portable signs. Plug and outlet protection for any double gang application.

- Includes gasket and screws
- Plug and outlet protection for any double gang application
- For use in wet or damp locations
- Constructed with durable polycarbonate for extra strength
- UL listed



Part Number	Depth	Carton Quantity
5133693	2.250	6

Dimensions are nominal

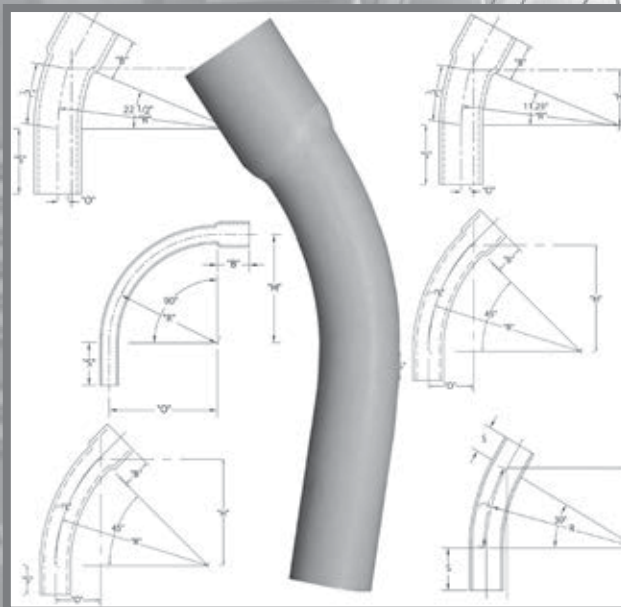
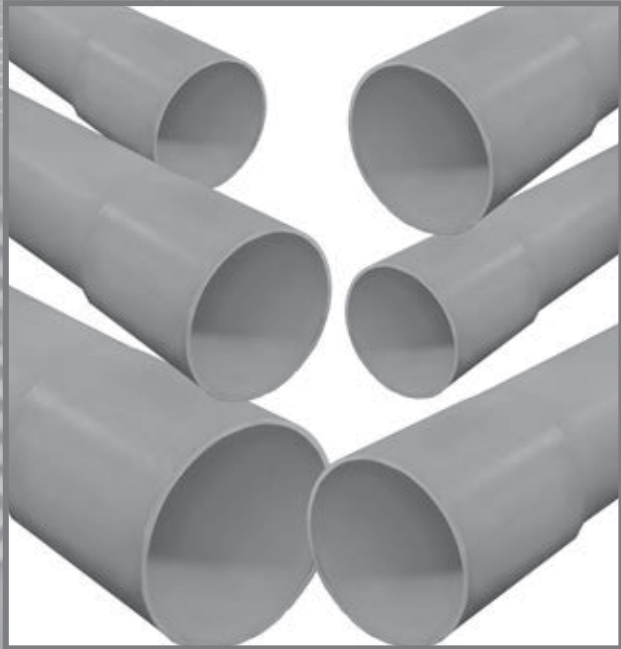


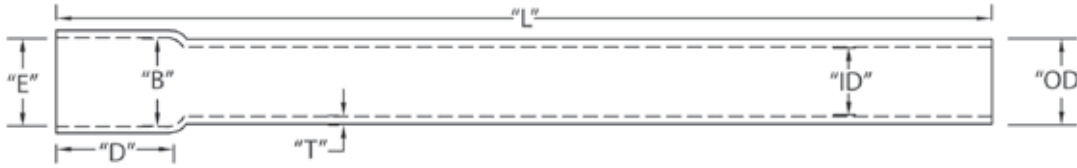
Includes six patented rotating inserts providing 70 configurations



Meets 2005 NEC 406.8 (B) code.

**DB & EB High Modulus Utility Duct,
DB & EB Special Radius Elbows & Fittings,
and other Fittings and Accessories for the Power,
Utilities and Communications Markets**





- Conforms to NEMA TC6 & ASTM F-512 requirements
- Rated for 90°C Cable
- 20' Lengths

Type DBHM-60 (For Direct Burial) - 20' Lengths, Bell End



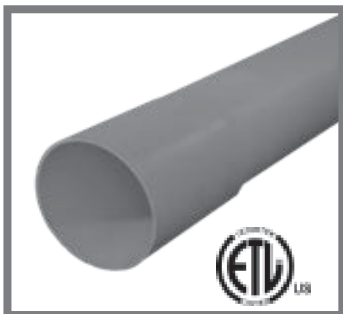
Part No.	Size	Feet per Pack	"T" Min	"OD"	"E"	"B"	"D" Min.	"L" Min.
A79CA42	2	2,800	.060	2.375	2.400	2.381	1.750	240
A79DA42	3	1,760	.092	3.500	3.538	3.508	2.875	240
A79EA42	4	1,140	.121	4.500	4.544	4.509	3.375	240
A79FA42	5	760	.152	5.563	5.614	5.573	4.000	240
A79GA42	6	520	.182	6.625	6.687	6.636	5.00	240

Dimensions are nominal

DB-60 PVC Utility Duct is designed for the power and communication industry to protect underground cables and raceways. It is designed to be used in direct burial or concrete encased burial applications.

- Made with High Modulus (HM) PVC material
- Does not support combustion and is self extinguishing
- Meets NEMA Standard TC-6 & TC-8 and ASTM F-512 Requirements
- 90°C
- Made in USA

Type EBHM-20 (For Encasement Burial) - 20' Lengths, Bell End



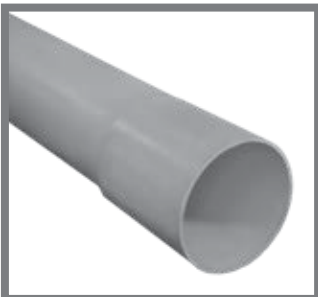
Type EB complies with federal and military specifications by conforming to UL 651

Part No.	Size	Feet per Pack	"T" Min	"OD"	"E"	"B"	"D" Min.	"L" Min.
A77CA42	2	2,800	.060	2.375	2.396	2.378	1.750	240
A77DA42	3	1,760	.061	3.500	3.529	3.503	2.875	240
A77EA42	4	1,140	.082	4.500	4.533	4.502	3.375	240
A77FA42	5	760	.103	5.563	5.601	5.562	4.000	240
A77GA42	6	520	.125	6.625	6.669	6.627	5.000	240

EB-20 PVC Utility Duct is designed for the power and communication industry to protect underground cables and raceways. It is designed to be used in concrete encased burial applications.

- Made with High Modulus (HM) PVC material
- Does not support combustion and is self extinguishing
- Meets NEMA Standard TC-6 & TC-8 and ASTM F-512 Requirements
- Rated for 90°C Cable
- Made in USA

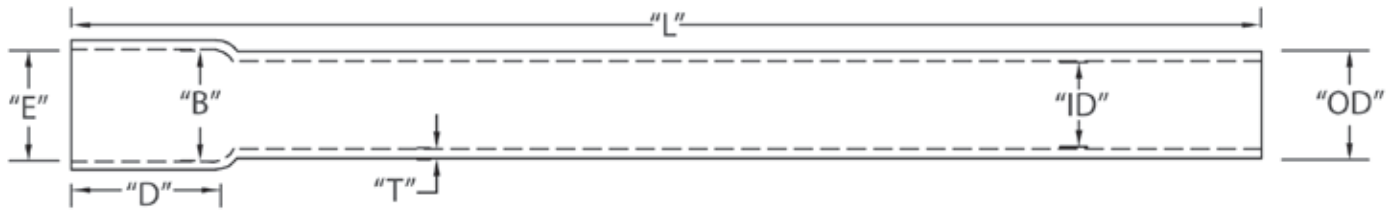
Type DBHM-100 (For Direct Burial) - 20' Lengths, Bell End



Part No.	Size	Feet per Pack	"T" Min	"OD"	"E"	"B"	"D" Min.	"L" Min.
A72DA42	3	1,760	.112	3.500	3.538	3.508	2.875	240
A72EA42	4	1,140	.145	4.500	4.544	4.509	3.375	240
A72FA42	5	760	.179	5.563	5.614	5.573	4.000	240
A72GA42	6	520	.213	6.625	6.687	6.636	5.000	240

DB-100 PVC Utility Duct is designed for the power and communication industry to protect underground cables and raceways. It is designed to be used in direct burial or concrete encased burial applications.

- Designed to meet State of California specifications
- Does not support combustion and is self extinguishing
- Meets NEMA Standard TC-6 & TC-8 and ASTM F-512 Requirements
- Rated for 90°C Cable
- Made in USA



- Conforms to NEMA TC6 & 8 & ASTM F-512 requirements
- Rated for 90°C Cable
- 20' Lengths

Type DBHM-120 (For Direct Burial) - 20' Lengths, Bell End



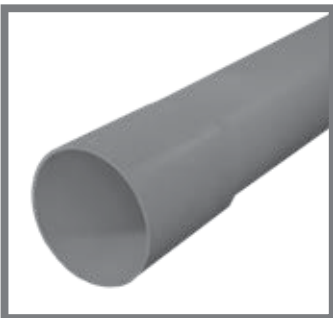
Part No.	Size	Feet per Pack	"T" Min	"OD"	"E"	"B"	"D" Min.	"L" Min.
A55BA42	1	7,200	.060	1.315	1.331	1.320	1.000	240
A55CA42	2	2,800	.077	2.375	2.400	2.381	1.750	240
A55DA42	3	1,760	.118	3.500	3.538	3.508	2.875	240
A55EA42	4	1,140	.154	4.500	4.544	4.509	3.375	240
A55FA42	5	760	.191	5.563	5.614	5.573	4.000	240
A55GA42	6	520	.227	6.625	6.687	6.636	5.000	240

Dimensions are nominal

DB-120 PVC Utility Duct is designed for the power and communication industry to protect underground cables and raceways. It is designed to be used in direct burial or concrete encased burial applications.

- Made with High Modulus (HM) PVC material
- Does not support combustion and is self extinguishing
- Meets NEMA Standard TC-6 & TC-8 and ASTM F-512 Requirements
- Rated for 90°C Cable
- Made in USA

Type EBHM-35 (For Encasement Burial) - 20' Lengths, Bell End



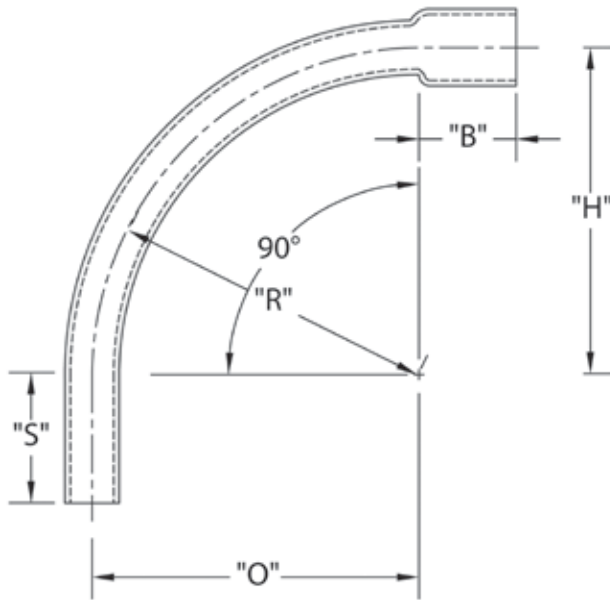
Part No.	Size	Feet per Pack	"T" Min	"OD"	"E"	"B"	"D" Min.	"L" Min.
A57EA42	4	1,140	.100	4.500	4.544	4.509	3.375	240
A57FA42	5	760	.126	5.563	5.614	5.573	4.000	240
A57GA42	6	520	.152	6.625	6.687	6.636	5.000	240

Dimensions are nominal

EB-35 PVC Utility Duct is designed for the power and communication industry to protect underground cables and raceways. It is designed to be used in concrete encased burial applications.

- Made with High Modulus (HM) PVC material
- Does not support combustion and is self extinguishing
- Meets NEMA Standard TC-6 & TC-8 and ASTM F-512 Requirements
- Rated for 90°C Cable
- Made in USA

DB-60 90° Elbow for Type EB & DB Duct Special Radius - Bell End



DB-60 Special Radius Bell End 90 Degree Elbows are used to change the direction of a conduit run by 90 degrees.

- DB-60 Nonmetallic Utility Duct is designed for underground communication and electrical wire and cable
- For use in direct burial or encasement burial applications
- Meets NEMA TC6 & 8 standards and ASTM F-512
- Bell end for easy installation
- Made from high modulus PVC material
- Made in USA

DB-60 90° Elbow 36" Radius Bell End

Part Number	Trade Size	"R"	"O"	"H"	"S" MIN	"B" MIN	"L"
5123868	2	36.000	36.000	36.000	2.000	2.000	56.500
5123872	3	36.000	36.000	36.000	3.125	2.500	56.500
5123876	4	36.000	36.000	36.000	3.375	3.250	56.500
5123880	5	36.000	36.000	36.000	3.625	4.250	56.500
5123884	6	36.000	36.000	36.000	3.750	5.000	56.500

Dimensions are nominal

DB-60 90° Elbow 18" Radius Bell End

Part Number	Trade Size	"R"	"O"	"H"	"S" MIN	"B" MIN	"L"
5123866	2	18.000	18.000	18.000	2.000	2.000	28.250
5123870	3	18.000	18.000	18.000	3.125	2.500	28.250
5123874	4	18.000	18.000	18.000	3.375	3.250	28.250

Dimensions are nominal

DB-60 90° Elbow 48" Radius Bell End

Part Number	Trade Size	"R"	"O"	"H"	"S" MIN	"B" MIN	"L"
5123865	2	48.000	48.000	48.000	2.000	2.000	75.375
5123869	3	48.000	48.000	48.000	3.125	2.500	75.375
5123877	4	48.000	48.000	48.000	3.375	3.250	75.375
5123881	5	48.000	48.000	48.000	3.625	4.250	75.375
5123894	6	48.000	48.000	48.000	3.750	5.000	75.375

Dimensions are nominal

DB-60 90° Elbow 24" Radius Bell End

Part Number	Trade Size	"R"	"O"	"H"	"S" MIN	"B" MIN	"L"
5123867	2	24.000	24.000	24.000	2.000	2.000	37.688
5123871	3	24.000	24.000	24.000	3.125	2.500	37.688
5123875	4	24.000	24.000	24.000	3.375	3.250	37.688
5123879	5	24.000	24.000	24.000	3.625	4.250	37.688

Dimensions are nominal

DB-60 90° Elbow 60" Radius Bell End

Part Number	Trade Size	"R"	"O"	"H"	"S" MIN	"B" MIN	"L"
5123806	2	60.000	60.000	60.000	2.000	2.000	94.250
5123810	3	60.000	60.000	60.000	3.125	2.500	94.250
5123878	4	60.000	60.000	60.000	3.375	3.250	94.250
5123899	5	60.000	60.000	60.000	3.625	4.250	94.250
5123895	6	60.000	60.000	60.000	3.750	5.000	94.250

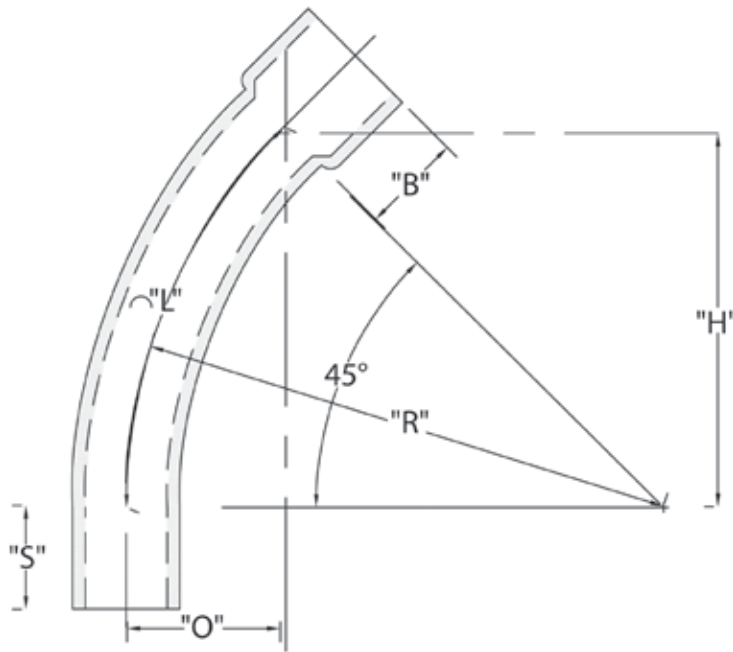
Dimensions are nominal

If you don't see the size you need, additional sizes of special radius elbows are available as non-stocked items. Call for specifications and quotes.

DB-60 45° Elbow Special Radius - Bell End

DB-60 Special Radius Bell End 45 Degree Elbows are used to change the direction of a conduit run by 45 degrees.

- DB-60 Nonmetallic Utility Duct is designed for underground communication and electrical wire and cable
- For use in direct burial or encasement burial applications
- Meets NEMA TC6 & 8 standards and ASTM F-512
- Bell end for easy installation
- Made from high modulus PVC material
- Made in USA



DB-60 45° Elbow 36" Radius Bell End

Part Number	Trade Size	"R"	"O"	"H"	"S" MIN	"B" MIN	"L"
5123768	2	36.000	4.813	18.000	2.000	2.000	28.270
5123772	3	36.000	4.813	18.000	3.125	2.500	28.270
5123776	4	36.000	4.813	18.000	3.375	3.250	28.270
5123780	5	36.000	4.813	18.000	3.625	4.250	28.270
5123784	6	36.000	4.813	18.000	3.750	5.000	28.270

Dimensions are nominal

DB-60 45° Elbow 18" Radius Bell End

Part Number	Trade Size	"R"	"O"	"H"	"S" MIN	"B" MIN	"L"
5123766	2	18.000	2.438	9.063	2.000	2.000	14.140
5123803	3	18.000	2.438	9.063	3.125	2.500	14.140
5123807	4	18.000	2.438	9.063	3.375	3.250	14.140

Dimensions are nominal

DB-60 45° Elbow 48" Radius Bell End

Part Number	Trade Size	"R"	"O"	"H"	"S" MIN	"B" MIN	"L"
5123769	2	48.000	6.438	24.000	2.000	2.000	37.700
5123745	3	48.000	6.438	24.000	3.125	2.500	37.700
5123779	4	48.000	6.438	24.000	3.375	3.250	37.700
5123781	5	48.000	6.438	24.000	3.625	4.250	37.700
5123794	6	48.000	6.438	24.000	3.750	5.000	37.700

Dimensions are nominal

DB-60 45° Elbow 24" Radius Bell End

Part Number	Trade Size	"R"	"O"	"H"	"S" MIN	"B" MIN	"L"
5123767	2	24.000	3.188	12.000	2.000	2.000	18.850
5123771	3	24.000	3.188	12.000	3.125	2.500	18.850
5123775	4	24.000	3.188	12.000	3.375	3.250	18.850
5123789	5	24.000	3.188	12.000	3.625	4.250	18.850

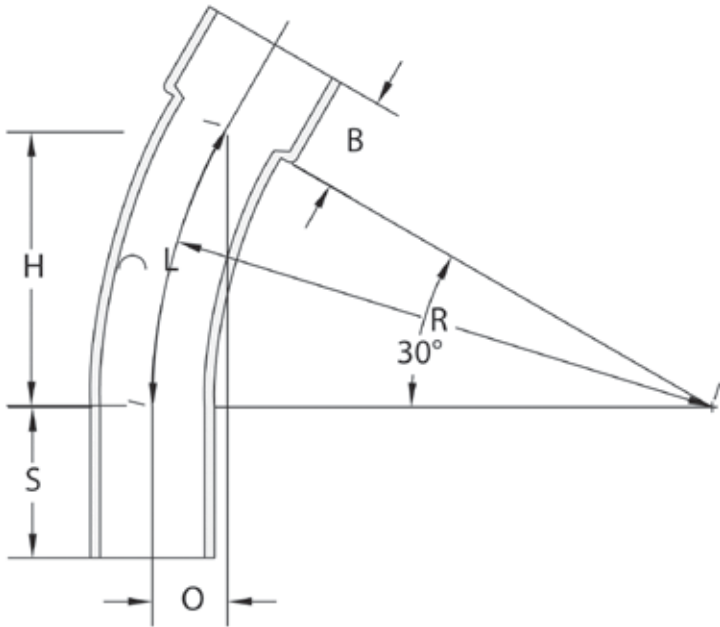
Dimensions are nominal

DBHM-60 45° Elbow 60" Radius Bell End

Part Number	Trade Size	"R"	"O"	"H"	"S" MIN	"B" MIN	"L"
5123748	4	60.000	8.063	30.000	3.375	3.250	47.120
5123782	5	60.000	8.063	30.000	3.625	4.250	47.120
5123795	6	60.000	8.063	30.000	3.750	5.000	47.120

Dimensions are nominal

DB-60 30° Elbow Special Radius - Bell End



DB-60 Special Radius Bell End 30 Degree Elbows are used to change the direction of a conduit run by 30 degrees.

- DB-60 Nonmetallic Utility Duct is designed for underground communication and electrical wire and cable
- For use in direct burial or encasement burial applications
- Meets NEMA TC6 & 8 standards and ASTM F-512
- Bell end for easy installation
- Made from high modulus PVC material
- Made in USA

DB-60 30° Elbow 36" Radius Bell End

Part Number	Trade Size	"R"	"O"	"H"	"S" MIN	"B" MIN	"L"
5123770	2	36.000	4.813	18.000	2.000	2.000	18.875
5123759	3	36.000	4.813	18.000	3.125	2.500	18.875
5123760	4	36.000	4.813	18.000	3.375	3.250	18.875
5123761	5	36.000	4.813	18.000	3.625	4.250	18.875
5123918	6	36.000	4.813	18.000	3.750	5.000	18.875

Dimensions are nominal

DB-60 30° Elbow 18" Radius Bell End

Part Number	Trade Size	"R"	"O"	"H"	"S" MIN	"B" MIN	"L"
5123785	2	18.000	2.438	9.063	2.000	2.000	9.438
5123757	3	18.000	2.438	9.063	3.125	2.500	9.438

Dimensions are nominal

DB-60 30° Elbow 48" Radius Bell End

Part Number	Trade Size	"R"	"O"	"H"	"S" MIN	"B" MIN	"L"
5123950	2	48.000	6.438	24.000	2.000	2.000	25.125
5123951	3	48.000	6.438	24.000	3.125	2.500	25.125
5123919	4	48.000	6.438	24.000	3.375	3.250	25.125
5123959	5	48.000	6.438	24.000	3.625	4.250	25.125
5123920	6	48.000	6.438	24.000	3.750	5.000	25.125

Dimensions are nominal

DB-60 30° Elbow 24" Radius Bell End

Part Number	Trade Size	"R"	"O"	"H"	"S" MIN	"B" MIN	"L"
5123799	2	24.000	3.188	12.000	2.000	2.000	12.563
5123802	3	24.000	3.188	12.000	3.125	2.500	12.563
5123712	4	24.000	3.188	12.000	3.375	3.250	12.563

Dimensions are nominal

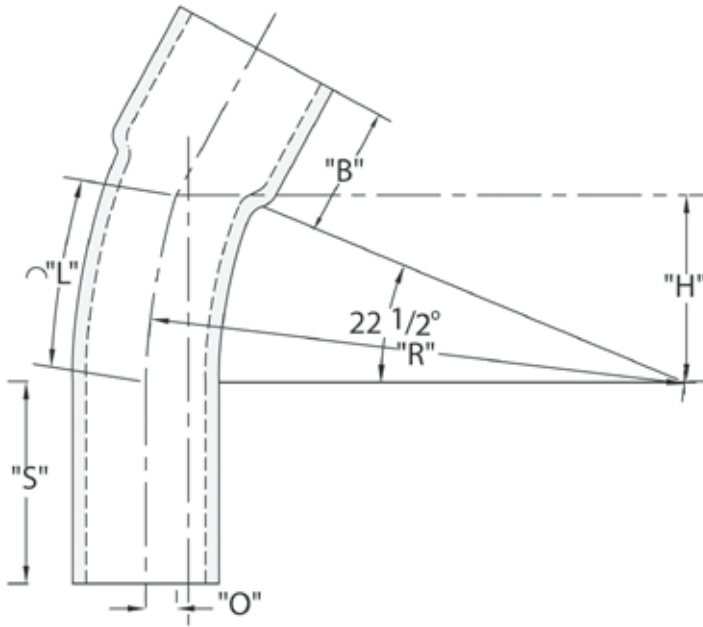
DB-60 30° Elbow 60" Radius Bell End

Part Number	Trade Size	"R"	"O"	"H"	"S" MIN	"B" MIN	"L"
5123812	2	60.000	8.063	30.000	2.000	2.000	31.438
5123952	3	60.000	8.063	30.000	3.125	2.500	31.438
5123764	4	60.000	8.063	30.000	3.375	3.250	31.438
5123746	5	60.000	8.063	30.000	3.625	4.250	31.438
5123921	6	60.000	8.063	30.000	3.750	5.000	31.438

Dimensions are nominal

If you don't see the size you need, additional sizes of special radius elbows are available as non-stocked items. Call for specifications and quotes.

DB-60 22-1/2° Elbow Special Radius - Bell End



DB-60 Special Radius Bell End 22-1/2 Degree Elbows are used to change the direction of a conduit run by 22-1/2 degrees.

- DB-60 Nonmetallic Utility Duct is designed for underground communication and electrical wire and cable
- For use in direct burial or encasement burial applications
- Meets NEMA TC6 & 8 standards and ASTM F-512
- Bell end for easy installation
- Made from high modulus PVC material
- Made in USA

DB-60 22-1/2° Elbow 36" Radius Bell End

Part Number	Trade Size	"R"	"O"	"H"	"S" MIN	"B" MIN	"L"
5123800	2	36.000	2.750	13.750	2.000	2.000	14.125
5123755	3	36.000	2.750	13.750	3.125	2.500	14.125
5123750	4	36.000	2.750	13.750	3.375	3.250	14.125
5123751	5	36.000	2.750	13.750	3.625	4.250	14.125
5123730	6	36.000	2.750	13.750	3.750	5.000	14.125

Dimensions are nominal

DB-60 22-1/2° Elbow 18" Radius Bell End

Part Number	Trade Size	"R"	"O"	"H"	"S" MIN	"B" MIN	"L"
5123940	2	18.000	1.375	6.875	2.000	2.000	7.063
5123945	3	18.000	1.375	6.875	3.125	2.500	7.063
5123740	4	18.000	1.375	6.875	3.375	3.250	7.063

Dimensions are nominal

DB-60 22-1/2° Elbow 48" Radius Bell End

Part Number	Trade Size	"R"	"O"	"H"	"S" MIN	"B" MIN	"L"
5123811	2	48.000	3.625	18.375	2.000	2.000	18.875
5123946	3	48.000	3.625	18.375	3.125	2.500	18.875
5123738	4	48.000	3.625	18.375	3.375	3.250	18.875
5123739	5	48.000	3.625	18.375	3.625	4.250	18.875
5123931	6	48.000	3.625	18.375	3.750	5.000	18.875

Dimensions are nominal

DB-60 22-1/2° Elbow 24" Radius Bell End

Part Number	Trade Size	"R"	"O"	"H"	"S" MIN	"B" MIN	"L"
5125831	1-1/2	24.000	1.813	9.188	2.000	2.000	9.438
5123744	2	24.000	1.813	9.188	2.000	2.000	9.438
5123801	3	24.000	1.813	9.188	3.125	2.500	9.438
5123753	4	24.000	1.813	9.188	3.375	3.250	9.438

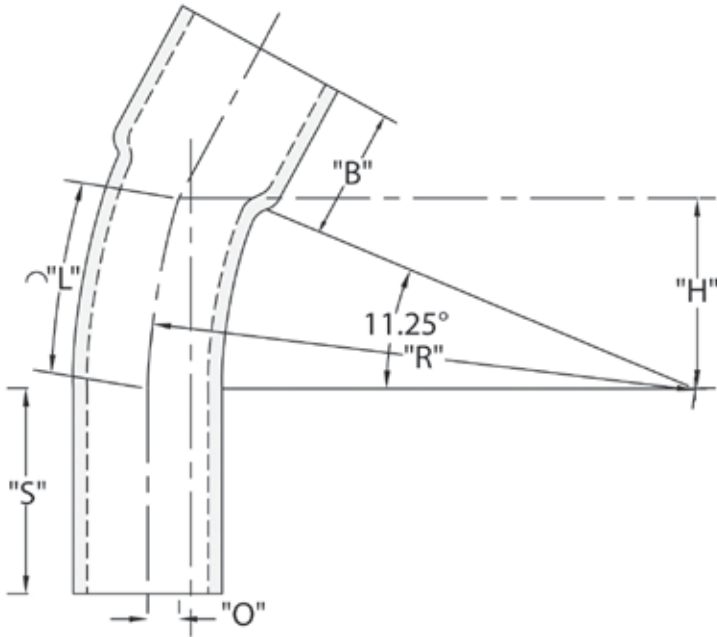
Dimensions are nominal

DB-60 22-1/2° Elbow 60" Radius Bell End

Part Number	Trade Size	"R"	"O"	"H"	"S" MIN	"B" MIN	"L"
5123728	2	60.000	4.563	23.000	2.000	2.000	23.563
5123947	3	60.000	4.563	23.000	3.125	2.500	23.563
5123735	4	60.000	4.563	23.000	3.375	3.250	23.563
5123736	5	60.000	4.563	23.000	3.625	4.250	23.563
5123732	6	60.000	4.563	23.000	3.750	5.000	23.563

Dimensions are nominal

DB-60 11-1/4° Elbow Special Radius - Bell End



DB-60 Special Radius Bell End 11-1/4 Degree Elbows are used to change the direction of a conduit run by 11-1/4 degrees.

- DB-60 Nonmetallic Utility Duct is designed for underground communication and electrical wire and cable
- For use in direct burial or encasement burial applications
- Meets NEMA TC6 & 8 standards and ASTM F-512
- Bell end for easy installation
- Made from high modulus PVC material
- Made in USA

DB-60 11-1/4° Elbow 36" Radius Bell End

Part Number	Trade Size	"R"	"O"	"H"	"S" MIN	"B" MIN	"L"
5123938	2	36.000	.688	7.000	2.000	2.000	7.063
5123704	3	36.000	.688	7.000	3.125	2.500	7.063
5123720	4	36.000	.688	7.000	3.375	3.250	7.063
5123724	5	36.000	.688	7.000	3.625	4.250	7.063
5123725	6	36.000	.688	7.000	3.750	5.000	7.063

Dimensions are nominal

DB-60 11-1/4° Elbow 24" Radius Bell End

Part Number	Trade Size	"R"	"O"	"H"	"S" MIN	"B" MIN	"L"
5123711	3	24.000	.469	.688	3.375	2.500	4.719
5123700	4	24.000	.469	.688	3.125	3.250	4.719
5123729	5	24.000	.469	.688	3.625	4.250	4.719

Dimensions are nominal

DB-60 11-1/4° Elbow 48" Radius Bell End

Part Number	Trade Size	"R"	"O"	"H"	"S" MIN	"B" MIN	"L"
5123937	4	48.000	.938	9.375	3.375	3.250	9.438
5123722	5	48.000	.938	9.375	3.625	4.250	9.438
5123932	6	48.000	.938	9.375	3.750	5.000	9.438

Dimensions are nominal

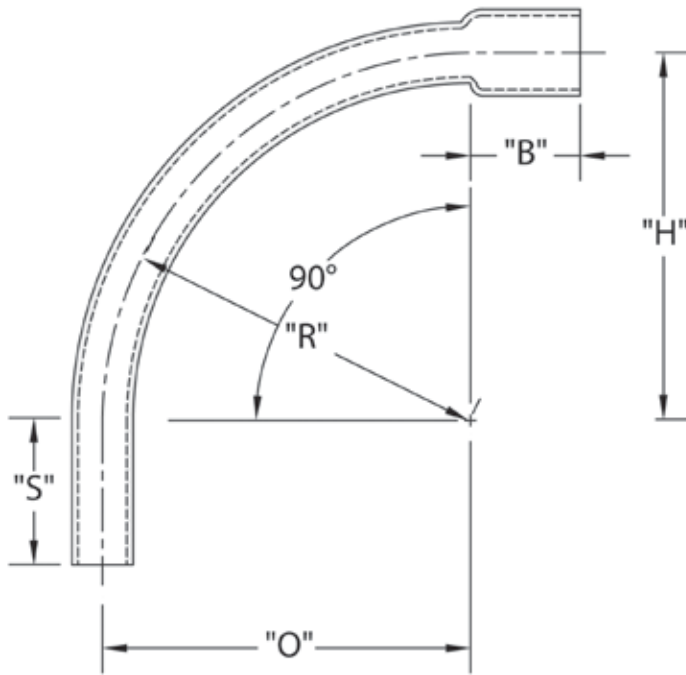
DB-60 11-1/4° Elbow 150" Radius Bell End

Part Number	Trade Size	"R"	"O"	"H"	"S" MIN	"B" MIN	"L"
5123703	3	150.000	2.875	29.250	3.125	2.500	29.438
5123705	4	150.000	2.875	29.250	3.375	3.250	29.438
5123792	5	150.000	2.875	29.250	3.625	4.250	29.438
5123733	6	150.000	2.875	29.250	3.750	5.000	29.438

Dimensions are nominal

If you don't see the size you need, additional sizes of special radius elbows are available as non-stocked items. Call for specifications and quotes.

DB-120 90° Elbow Special Radius - Bell End



DB-120 Special Radius Bell End 90-Degree Elbows are used to change the direction of a conduit run by 90 degrees.

- DB-120 Nonmetallic Utility Duct is designed for underground communication and electrical wire and cable
- For use in direct burial or encasement burial applications
- Meets NEMA TC6 & 8 standards and ASTM F-512
- Bell end for easy installation
- Made from high modulus PVC material
- Made in USA

DB-120 90° Elbow 36" Radius Bell End

Part Number	Trade Size	"R"	"O"	"H"	"S" MIN	"B" MIN	"L"
5123862	1-1/2	36.000	36.000	36.000	2.000	2.000	56.500
5125869	2	36.000	36.000	36.000	2.000	2.000	56.500
5125872	3	36.000	36.000	36.000	3.125	2.500	56.500
5125876	4	36.000	36.000	36.000	3.375	3.250	56.500
5125880	5	36.000	36.000	36.000	3.625	4.250	56.500
5125884	6	36.000	36.000	36.000	3.750	5.000	56.500

Dimensions are nominal

DB-120 90° Elbow 18" Radius Bell End

Part Number	Trade Size	"R"	"O"	"H"	"S" MIN	"B" MIN	"L"
5123861	1-1/2	18.000	18.000	18.000	2.000	2.000	28.250
5125862	2	18.000	18.000	18.000	2.000	2.000	28.250
5125870	3	18.000	18.000	18.000	3.125	2.500	28.250
5125874	4	18.000	18.000	18.000	3.375	3.250	28.250

Dimensions are nominal

DB-120 90° Elbow 48" Radius Bell End

Part Number	Trade Size	"R"	"O"	"H"	"S" MIN	"B" MIN	"L"
5123863	1-1/2	48.000	48.000	48.000	2.000	2.000	75.375
5125740	2	48.000	48.000	48.000	2.000	2.000	75.375
5125741	3	48.000	48.000	48.000	3.125	2.500	75.375
5125877	4	48.000	48.000	48.000	3.375	3.250	75.375
5125901	5	48.000	48.000	48.000	3.625	4.250	75.375
5125885	6	48.000	48.000	48.000	3.750	5.000	75.375

Dimensions are nominal

DB-120 90° Elbow 24" Radius Bell End

Part Number	Trade Size	"R"	"O"	"H"	"S" MIN	"B" MIN	"L"
5125742	1-1/2	24.000	24.000	24.000	2.000	2.000	37.688
5125881	2	24.000	24.000	24.000	2.000	2.000	37.688
5125871	3	24.000	24.000	24.000	3.125	2.500	37.688
5125875	4	24.000	24.000	24.000	3.375	3.250	37.688
5125898	5	24.000	24.000	24.000	3.625	4.250	37.688

Dimensions are nominal

DB-120 90° Elbow 60" Radius Bell End

Part Number	Trade Size	"R"	"O"	"H"	"S" MIN	"B" MIN	"L"
5125859	2	60.000	60.000	60.000	2.000	2.000	94.250
5125873	3	60.000	60.000	60.000	3.125	2.500	94.250
5125878	4	60.000	60.000	60.000	3.375	3.250	94.250
5125899	5	60.000	60.000	60.000	3.625	4.250	94.250
5125895	6	60.000	60.000	60.000	3.750	5.000	94.250

Dimensions are nominal

DB-120 45° Elbow Special Radius - Bell End

DB-120 Special Radius Bell End 45-Degree Elbows are used to change the direction of a conduit run by 45 degrees.

- DB-120 Nonmetallic Utility Duct is designed for underground communication and electrical wire and cable
- For use in direct burial or encasement burial applications
- Meets NEMA TC6 & 8 standards and ASTM F-512
- Bell end for easy installation
- Made from high modulus PVC material
- Made in USA

DB-120 45° Elbow 36" Radius Bell End

Part Number	Trade Size	"R"	"O"	"H"	"S" MIN	"B" MIN	"L"
5125736	1-1/2	36.000	4.813	18.000	2.000	2.000	28.270
5125879	2	36.000	4.813	18.000	2.000	2.000	28.270
5125772	3	36.000	4.813	18.000	3.125	2.500	28.270
5125776	4	36.000	4.813	18.000	3.375	3.250	28.270
5125781	5	36.000	4.813	18.000	3.625	4.250	28.270
5125784	6	36.000	4.813	18.000	3.750	5.000	28.270

Dimensions are nominal

DB-120 45° Elbow 48" Radius Bell End

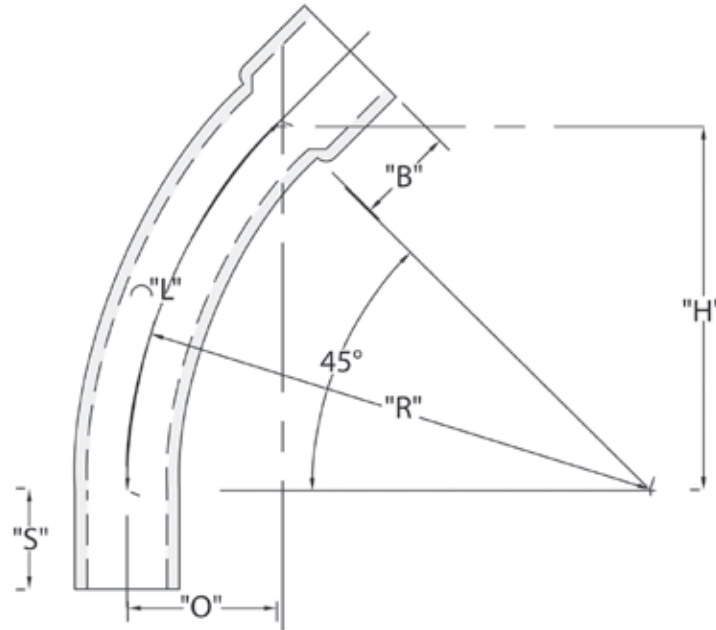
Part Number	Trade Size	"R"	"O"	"H"	"S" MIN	"B" MIN	"L"
5125769	2	48.000	6.438	24.000	2.000	2.000	37.700
5125737	3	48.000	6.438	24.000	3.125	2.500	37.700
5125744	4	48.000	6.438	24.000	3.375	3.250	37.700
5125783	5	48.000	6.438	24.000	3.625	4.250	37.700
5125796	6	48.000	6.438	24.000	3.750	5.000	37.700

Dimensions are nominal

DB-120 45° Elbow 60" Radius Bell End

Part Number	Trade Size	"R"	"O"	"H"	"S" MIN	"B" MIN	"L"
5125748	3	60.000	8.063	30.000	3.125	2.500	47.120
5125738	4	60.000	8.063	30.000	3.375	3.250	47.120
5125782	5	60.000	8.063	30.000	3.625	4.250	47.120
5125795	6	60.000	8.063	30.000	3.750	5.000	47.120

Dimensions are nominal



DB-120 45° Elbow 18" Radius Bell End

Part Number	Trade Size	"R"	"O"	"H"	"S" MIN	"B" MIN	"L"
5125746	2	18.000	2.438	9.063	2.000	2.000	14.140
5125747	3	18.000	2.438	9.063	3.125	2.500	14.140

Dimensions are nominal

DB-120 45° Elbow 24" Radius Bell End

Part Number	Trade Size	"R"	"O"	"H"	"S" MIN	"B" MIN	"L"
5125815	1-1/2	24.000	3.188	12.000	2.000	2.000	18.850
5125767	2	24.000	3.188	12.000	2.000	2.000	18.850
5125774	3	24.000	3.188	12.000	3.125	2.500	18.850
5125753	4	24.000	3.188	12.000	3.375	3.250	18.850

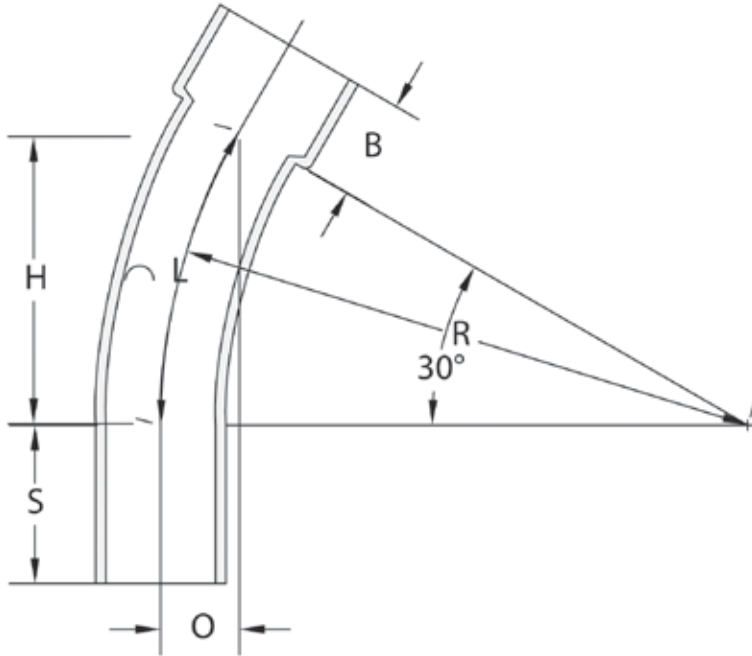
Dimensions are nominal

If you don't see the size you need, additional sizes of special radius elbows are available as non-stocked items. Call for specifications and quotes.

DB-120 30° Elbow Special Radius - Bell End

DB-120 Special Radius Bell End 30-Degree Elbows are used to change the direction of a conduit run by 30 degrees.

- DB-120 Nonmetallic Utility Duct is designed for underground communication and electrical wire and cable
- For use in direct burial or encasement burial applications
- Meets NEMA TC6 & 8 standards and ASTM F-512
- Bell end for easy installation
- Made from high modulus PVC material
- Made in USA



DB-120 30° Elbow 36" Radius Bell End

Part Number	Trade Size	"R"	"O"	"H"	"S" MIN	"B" MIN	"L"
5125842	1-1/2	36.000	4.813	18.000	2.000	2.000	18.875
5125754	3	36.000	4.813	18.000	3.125	2.500	18.875
5125761	4	36.000	4.813	18.000	3.375	3.250	18.875
5125792	5	36.000	4.813	18.000	3.625	4.250	18.875

Dimensions are nominal

DB-120 30° Elbow 18" Radius Bell End

Part Number	Trade Size	"R"	"O"	"H"	"S" MIN	"B" MIN	"L"
5125751	2	18.000	2.438	9.063	2.000	2.000	9.438
5125841	3	18.000	2.438	9.063	3.125	2.500	9.438

Dimensions are nominal

DB-120 30° Elbow 48" Radius Bell End

Part Number	Trade Size	"R"	"O"	"H"	"S" MIN	"B" MIN	"L"
5125762	4	48.000	6.438	24.000	3.375	3.250	25.125
5125813	6	48.000	6.438	24.000	3.750	5.000	25.125

Dimensions are nominal

DB-120 30° Elbow 24" Radius Bell End

Part Number	Trade Size	"R"	"O"	"H"	"S" MIN	"B" MIN	"L"
5125818	5	24.000	3.188	12.000	2.000	4.250	12.563

Dimensions are nominal

DB-120 30° Elbow 60" Radius Bell End

Part Number	Trade Size	"R"	"O"	"H"	"S" MIN	"B" MIN	"L"
5125819	4	60.000	8.063	30.000	3.375	3.250	31.438
5125803	5	60.000	8.063	30.000	3.625	4.250	31.438
5125816	6	60.000	8.063	30.000	3.750	5.000	31.438

Dimensions are nominal

If you don't see the size you need, additional sizes of special radius elbows are available as non-stocked items. Call for specifications and quotes.



PVC Fittings & Accessories for the Power Utility and Communication Markets

CANTEX offers a complete line of Fittings and Accessories for the extensive Power, Utility and Communications markets. With several decades of experience manufacturing PVC fittings and accessories, CANTEX is a trustworthy source for quality DB as well as Schedule 40 Fittings and Accessories.

All of our PVC fittings are easy-to-install and offer non-conductivity, high impact, tensile strength, industry certifications (where applicable), and resistance to a wide range of chemicals, acids, and salt. Our DB Fittings and Accessories are perfect for direct burial and/or encased burial applications. Since they connect seamlessly with other DB & EB utility products, they make it easy to convert entire electrical infrastructures to PVC through a single source—CANTEX.

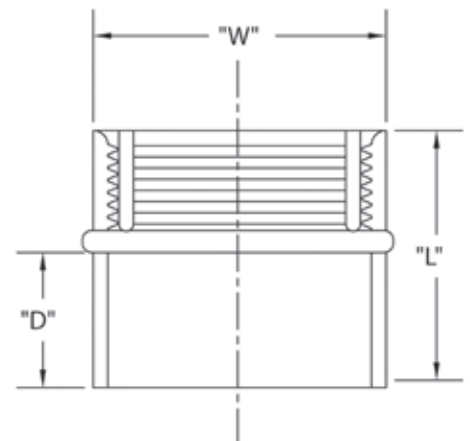
Female Adapter

Part Number	Trade Size	Carton Qty.	"W"	"L"	"D"
5140043	1/2	200	1.000	1.438	.688
5140044	3/4	125	1.250	1.625	.688
5140045	1	70	1.563	1.875	.875
5140046	1-1/4	40	2.000	1.938	.938
5140047	1-1/2	30	2.250	2.125	.938
5140048	2	40	2.688	2.125	.938
5140049	2-1/2	20	3.313	3.000	1.313
5140050	3	40	4.000	3.063	1.250
5140051	3-1/2	30	4.500	3.000	1.188
5140052	4	20	5.000	3.250	1.375
5140053	5	10	6.125	3.688	1.313
5140054	6	8	7.250	4.375	1.625
* 5140055D	8	2	9.313	7.000	2.250

Dimensions are nominal

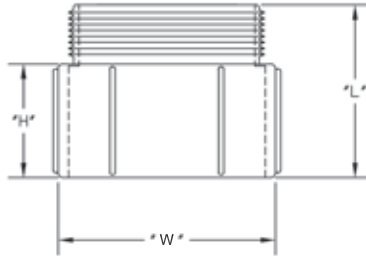
Female Adapters are used to transition threaded metal or PVC conduit with one threaded end and one socket solvent weld end. They can also be used to join PVC to PVC.

- For use with Schedule 40 & 80 and EB & DB applications
- Two female ends with the same diameter
- Material is ridged PVC for easy installation
- Meets NEMA TC-3 Standards
- UL and CSA listed
- Made in USA



Male Terminal Adapter

1/2" through 3/4" Terminal (Male) Adapter

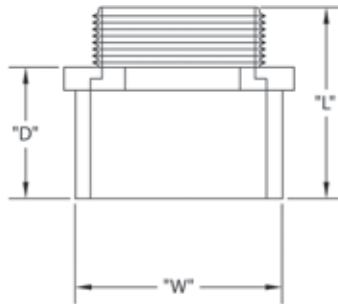


Please note the recent change to ribbed design for improved handling.

Male Terminal Adapters are connectors used to transition from a spigot end PVC conduit to a threaded metal or PVC plastic female bell end. Male Terminal Adapters can also be used to connect PVC conduit to a box or other threaded body with use of a lock nut. The fittings consist of one solvent weld female end and one threaded male end. Both ends will fit the same diameter conduit.

- Durable non-conductive PVC will not rust or corrode
- For use with Schedule 40 & 80 and EB & DB applications
- Meets NEMA TC-3 Standards
- UL and CSA listed
- Made in USA

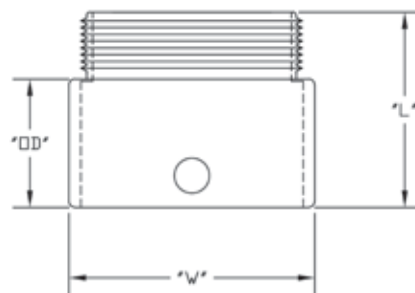
1" through 1 1/2" Terminal (Male) Adapter



Part Number	Trade Size	Carton Qty.	"W"	"L"	"D"
5140103	1/2	200	1.063	1.688	1.125
5140104	3/4	125	1.250	1.750	1.188
5140105	1	70	1.625	2.188	1.500
5140106	1-1/4	40	2.000	2.125	1.313
5140107	1-1/2	30	2.000	2.063	1.313

Dimensions are nominal

2" through 6" Terminal (Male) Adapter



Part Number	Trade Size	Carton Qty.	"W"	"L"	"D"
5140108	2	40	2.688	2.188	1.375
5140109	2-1/2	20	3.313	2.875	2.000
5140110	3	40	3.938	3.000	2.188
5140111	3-1/2	30	4.500	3.188	2.563
5140112	4	20	5.000	3.438	2.563
5140113	5	10	6.250	4.750	3.000
5140114	6	8	7.313	4.938	2.688
5140115D*	8	2	--	--	--

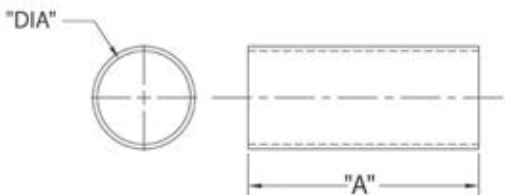
*Not UL or CSA listed

Dimensions are nominal

DB60 Longline Coupling with No Center Stop - Fabricated

Part Number	Trade Size	Carton Qty.	"DIA"	"A"
6121622	1-1/2	30	1.921	5.00
6121623	2	20	2.400	6.00
6121625	3	25	3.538	6.00
6121626	4	15	4.544	6.75
6121627	5	8	5.614	7.00
6121635	6	4	6.687	10.00

Dimensions are nominal

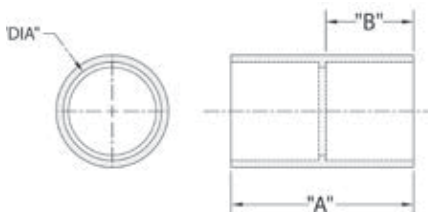


A DB60 Long Line Coupling without Center Stop is used to repair or join lengths of conduit/pipe together with two solvent weld socket ends.

- For use with all EB and DB conduit
- No Center Stop for easy repair of broken or damaged conduit
- Made from durable corrosion resistant PVC DB60 material
- Made in USA

Sch. 40 Longline Coupling with Center Stop - Molded

Part Number	Trade Size	Carton Qty.	"DIA"	"A"	"B"
6202000	2	20	2.375	4.188	2.000
6202005	3	25	3.500	6.500	3.250
6202010	4	15	4.500	7.000	3.500



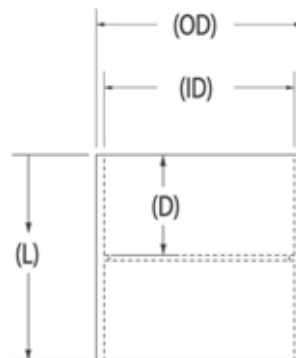
Schedule 40 Long Line Center Stop Couplings are used to repair or join lengths of conduit/pipe together with two solvent weld socket ends.

- For use with Schedule 40 & 80 and EB & DB applications
- Center stop to help determine proper depth of connection
- For use aboveground and underground
- Non-conductive and sunlight resistant
- Meets NEMA TC-3 Standards
- Made in USA
- Made of rigid PVC

DB60 Coupling with Center Stop - Molded

Part Number	Trade Size	Carton Qty.	"OD"	"ID"	"D"	"L"
6121636	2	50	2.500	2.375	1.125	2.500
6121637	3	25	3.875	3.500	1.625	3.360
6121638	4	20	4.875	4.500	2.375	4.875
6121639	5	8	6.000	5.580	2.500	5.375
6121640	6	8	7.000	6.650	2.125	4.500

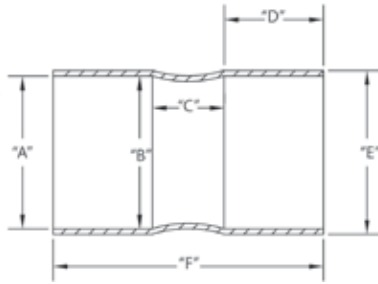
Dimensions are nominal



DB60 Center Stop Couplings are used to join lengths of conduit/pipe together with two solvent weld socket ends.

- For use with all EB and DB conduit
- Center stop to help determine proper depth of connection
- Made from durable corrosion resistant PVC DB60 material
- Made in USA

DB60 Swedged Coupling with Center Stop - Fabricated



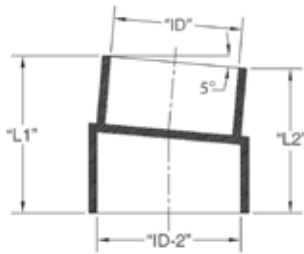
Part Number	Trade Size	Carton Qty.	"A"	"B"	"C"	"D"	"E"	"F"
6121628	2	20	2.400	2.381	.900	2.250	2.560	5.750
6121630	3	25	3.538	3.508	.875	2.875	3.775	6.900
6121632	4	15	4.544	4.509	.750	3.000	4.875	7.250
6121633	5	8	5.614	5.573	1.100	3.250	5.975	7.875
6121634	6	4	6.687	6.636	1.250	3.500	7.100	9.000

Dimensions are nominal

DB60 Swedged Center Stop Couplings are used to join lengths of conduit/pipe together with two solvent weld socket ends.

- Feature longer bell ends than standard couplings
- For use with all EB and DB conduit
- Center stop to help determine proper depth of connection
- Made from durable corrosion resistant PVC DB60 material
- Made in USA

Schedule 40 5° Coupling Bell to Plain End - Molded



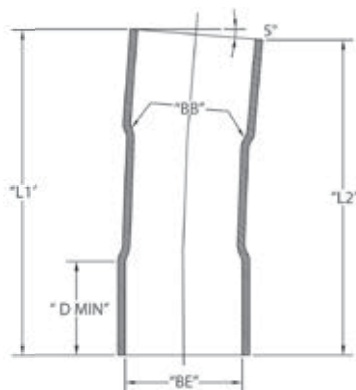
Part Number	Trade Size	Carton Qty.	"L1"	"L2"	"ID"	"ID-2"
6141530	3	25	4.313	4.000	3.000	3.500
6141531	4	25	5.000	4.500	3.938	4.500

Dimensions are nominal

Schedule 40 5-Degree Couplings are used to join lengths of conduit/pipe together with a 5-degree change in direction.

- For use with Schedule 40 and 80 and EB & DB applications
- Has one bell end and one plain end for easy solvent weld installation
- Molded from Schedule 40 PVC material
- Made in USA

DB60 5° Coupling Bell to Bell End - Fabricated



Part Number	Trade Size	Carton Qty.	"L1"	"L2"	"BE"	"BB"	"D" Min
6151457	2	20	6.250	6.000	2.400	2.381	1.750
6151458	3	25	7.500	7.188	3.538	3.508	2.875
6151459	4	15	8.750	8.375	4.544	4.509	3.375
6151460	5	8	10.500	10.000	5.614	5.573	4.000
6151461	6	4	13.000	12.438	6.687	6.636	5.000

Dimensions are nominal

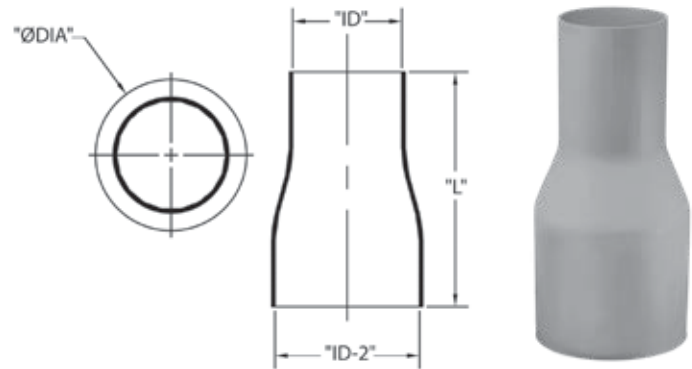
DB60 5-Degree Coupling Bell to Bell is used to join lengths of conduit/pipe together with a 5-degree change in direction.

- For use with all EB and DB conduit
- Has two bell ends for easy solvent weld installation
- Made from durable corrosion resistant PVC DB60 material
- Made in USA

DB60 Swedged Reducer - Bell to Plain End - Fabricated

Part Number	Trade Size	Carton Qty.	"L"	"ID"	"ID-2"	"DIA"
5142210	3x2	25	7.250	2.250	3.563	3.688
5142211	5x4	8	9.250	4.188	5.563	5.813
5142209	6x5	4	9.250	5.250	6.625	6.938

Dimensions are nominal



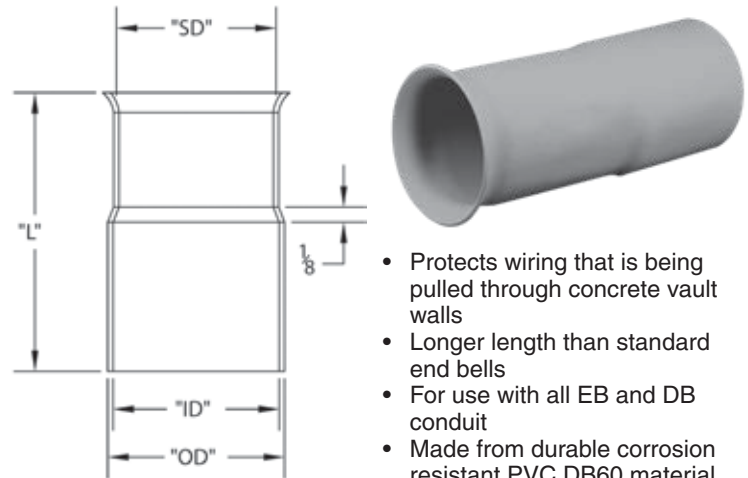
DB60 Swedged Reducer Bell to Plain is designed to transition conduit from one trade size to another trade size.

- Both ends are solvent weld with one bell end and one spigot end
- For use with all EB and DB conduit
- Made from durable corrosion resistant PVC DB60 material
- Made in USA

DB60 End Bells - Fabricated

Part Number	Trade Size	Carton Qty.	"L"	"ID"	"OD"	"SD"
5124010	2	40	6.00	2.375	2.500	2.125
5124012	3	50	6.125	3.500	3.750	3.375
5124014	4	50	6.125	4.500	4.875	4.000
5124015	5	25	7.125	5.500	5.875	5.125
5124017	6	15	7.000	6.625	7.000	6.000

Dimensions are nominal



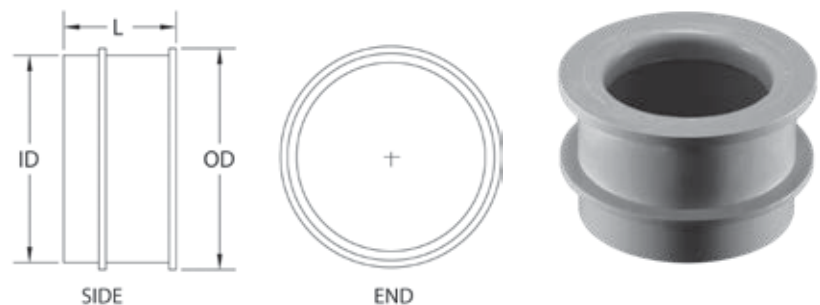
DB60 Fabricated End Bells are used in concrete vault walls to provide a smooth safe entrance to the conduit outside.

- Protects wiring that is being pulled through concrete vault walls
- Longer length than standard end bells
- For use with all EB and DB conduit
- Made from durable corrosion resistant PVC DB60 material
- Meets NEMA TC-9 Standards
- Made in USA

DB60 End Bells - Molded

Part Number	Trade Size	Carton Qty.	"L"	"ID"	"OD"
5144102	2	40	1.580	2.600	2.870
5144104	3	50	2.000	3.700	4.000
5144106	4	50	2.330	4.750	5.100
5144108	5	25	2.500	5.930	6.300
5144110	6	15	2.820	6.900	7.320

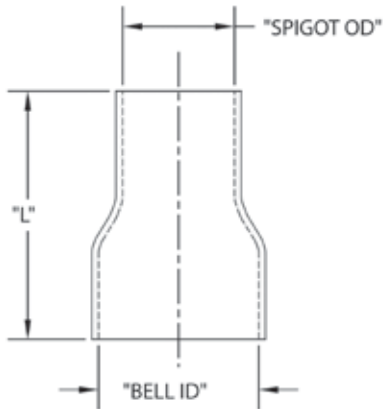
Dimensions are nominal



DB60 Molded End Bells are used in concrete vault walls to provide a smooth safe entrance to the conduit outside.

- For use with all EB and DB conduit
- Protects wiring which is being pulled through concrete vault walls
- Made from durable corrosion resistant PVC DB60 material
- Meets NEMA TC-9 Standards
- Made in USA

Schedule 40 Swaged Reducer - Bell to Plain End - Fabricated



Part Number	Trade Size	Carton Qty.	"L"	SPIGOT "OD"	BELL "ID"
5142101	1-1/2 x 1	25	7.500	1.315	1.915
5142106	2 x 1	25	6.625	1.315	2.393
5142257	2 x 1-1/2	15	5.500	1.900	2.393
5142102	2-1/2 x 2	20	6.625	2.375	2.890
5142104	3 x 2	25	7.250	2.375	3.515
5142105	3 x 2-1/2	25	7.500	2.875	3.515
*5142108	4 x 2	10	12.000	2.375	4.515
5142109	4 x 3	15	7.813	3.500	4.515
5142107	5 x 4	8	11.313	4.500	5.593
5142203	6 x 5	4	9.875	5.563	6.658
*5142202	6 x 4	4	17.750	4.500	6.640

Schedule 40 Swaged Bell to Plain end Reducers are designed to transition conduit from one trade size to another trade size.

- Both ends are solvent weld with one bell end and one spigot end
- Durable non-conductive PVC will not rust or corrode
- For use with Schedule 40 & 80 as EB & DB applications
- NEMA TC-3 Compliant
- Made in USA

5142108 & 5142202



* Two-piece item

Dimensions are nominal

DB60 Split Sleeve Coupling (Fabricated)

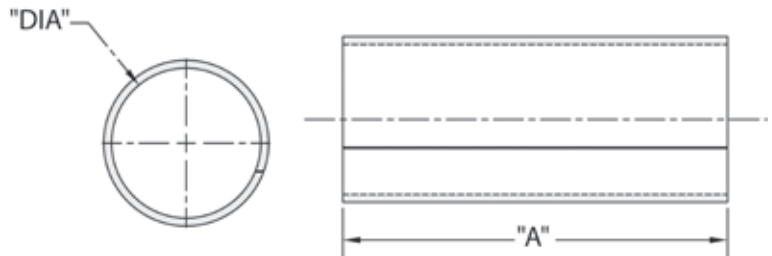


Part No.	Size	Package Qty.	"DIA"	"A"
6151783	2	20	2.375	6.063
6151784	3	25	3.500	6.750
6151785	4	15	4.500	6.375
6151786	5	8	5.563	8.750
6151787	6	4	6.625	9.750

Dimensions are nominal

DB60 Split Coupling is used for joining Split Duct to existing duct when repairing broken or damaged conduit and wires are present.

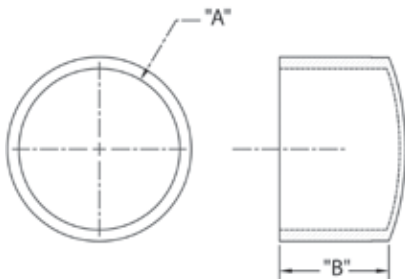
- For use with EB & DB conduit
- Side split to enable installation without cutting existing wire or cables
- For use underground
- Fabricated from DB60 conduit
- Made in USA



End Cap

End Caps are designed to cap off PVC conduit either temporarily or permanently using PVC solvent cement.

- Suitable for indoor or outdoor use
- Durable non-conductive PVC will not rust or corrode
- For use with Schedule 40 & 80 and EB & DB applications
- UL and CSA listed
- Made in USA



Meets NEMA TC3 Requirements
Made of Rigid PVC



**1/2" through 4"
have dome top**



5" and 6" have flat top



Part Number	Trade Size	Carton Qty.	"A"	"B"
5140031	1/2	100	.875	.875
5140032	3/4	100	1.063	1.063
5140033	1	50	1.375	1.250
5140034	1-1/4	25	1.688	1.313
5140035	1-1/2	25	1.938	1.563
5140037	2	50	2.375	1.625
5140038	2-1/2	25	2.875	2.000
5140039	3	25	3.563	2.375
5140036	3-1/2	25	4.000	2.313
5140040	4	25	4.500	2.375
5140041	5	25	5.563	2.500
5140042	6	10	6.625	3.000

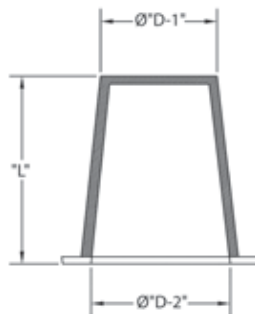
Dimensions are nominal

Poly Plug

Part Number	Trade Size	Carton Qty.	"L"	"D-1"	"D-2"
5315248	2	70	3.250	1.875	2.438
5315250	3	70	3.813	2.625	3.438
5315252	4	90	4.063	3.688	4.438
5315253	5	45	3.813	4.750	5.500
5315254	6	30	3.813	5.563	6.500

Dimensions are nominal

Poly Plugs are designed for the temporary sealing of conduit to protect the duct from the effects of weather, job site debris, and animal damage.



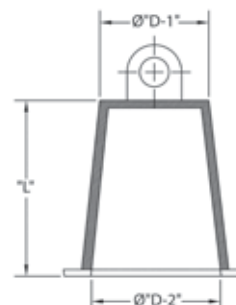
- Tapered for easy installation and removal
- Ribbed side walls for tight secure fit
- For use with Schedule 40 & 80 and EB & DB applications
- Made from Polyurethane material
- Made in USA

Poly Plug with Pulling Eye

Part Number	Trade Size	Carton Qty.	"L"	"D-1"	"D-2"
5315258	2	70	3.000	2.000	2.500
5315259	2 1/2	70	3.000	2.125	2.750
5315260	3	45	3.750	2.875	3.500
5315262	4	80	3.875	3.750	4.500
5315263	5	45	3.750	4.875	5.625
5315264	6	35	3.875	5.625	6.875

Dimensions are nominal

Poly Plugs with Pulling Eyes are designed for the temporary sealing of conduit to protect the duct from the effects of weather, job site debris, and animal damage. The molded pull-eye is used to secure excess pulling rope within conduit.



- Tapered for easy installation and removal
- For use with Schedule 40 & 80 and EB & DB applications
- Ribbed side walls for tight secure fit
- Made from Polyurethane material

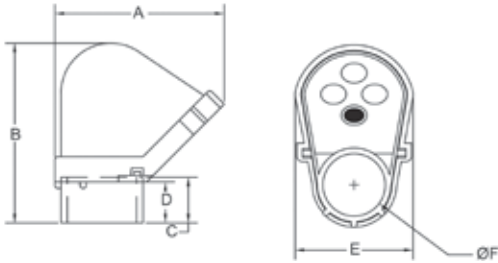
Service Entrance Caps



Service Entrance Caps are used as the entry point for overhead power and communication wires into a building.

- Prevents precipitation from accessing the conduit that enters a building
- Multiple knockouts for wire options
- Material is rigid PVC
- UL Listed
- Made in USA

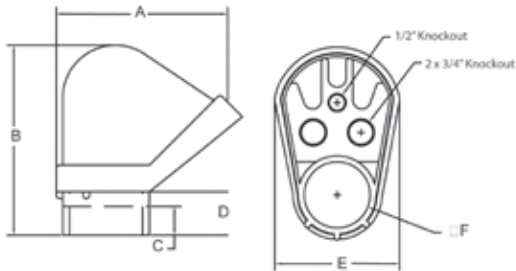
Service Entrance Cap - 1/2" thru 1"



Part Number	Trade Size	Carton Qty.	"A"	"B"	"C"	"D"	"E"	"ØF"
5133590	1/2	10	2.875	2.875	.750	.625	2.188	.852
5133591	3/4	10	2.875	2.875	.875	.438	2.125	1.064
5133741	1	20	3.313	3.625	1.000	.750	2.375	1.330

Dimensions are nominal

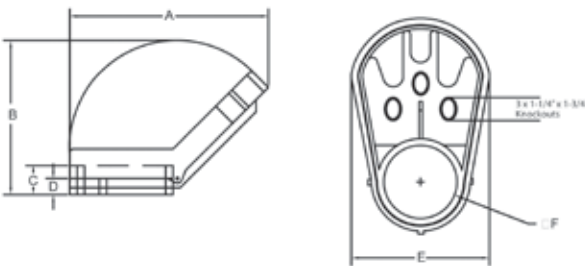
Service Entrance Cap - 1-1/4" thru 2"



Part Number	Trade Size	Carton Qty.	"A"	"B"	"C"	"D"	"E"	"ØF"
5133742	1-1/4	20	5.000	5.000	1.250	1.375	3.313	1.667
5133695	1-1/2	20	6.500	6.500	1.750	2.000	4.250	1.918
5133743	2	5	6.500	6.500	1.750	2.000	4.250	2.393

Dimensions are nominal

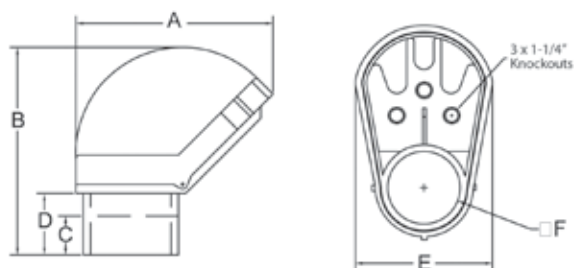
Service Entrance Cap - 2-1/2" thru 3"



Part Number	Trade Size	Carton Qty.	"A"	"B"	"C"	"D"	"E"	"ØF"
5133696	2-1/2	5	15.000	8.250	1.875	1.000	8.250	2.890
5133697	3	5	12.250	9.375	1.750	1.000	8.250	3.515

Dimensions are nominal

Service Entrance Cap - 3-1/2" thru 4"



Part Number	Trade Size	Carton Qty.	"A"	"B"	"C"	"D"	"E"	"ØF"
5133698	3-1/2	5	12.500	11.000	2.000	3.125	8.000	4.015
5133699	4	1	16.000	11.000	2.750	2.500	10.250	4.515

Dimensions are nominal

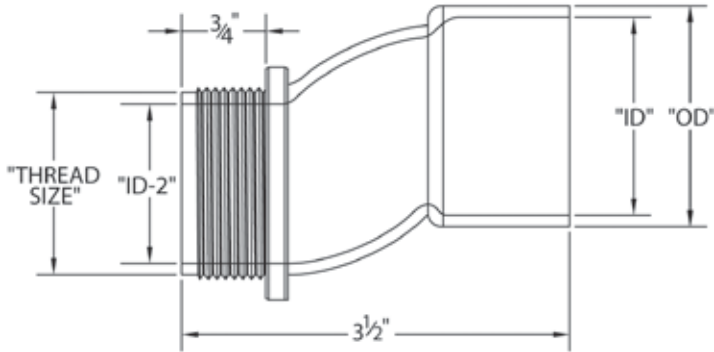
Meter Offset

Part Number	Trade Size	Carton Qty.	Thread Size	"ID"	"ID-2"	"OD"
5133183	1-1/4	15	1.625	1.625	1.375	2.000
*5133185	2	8	2.313	2.375	2.000	2.188

*CSA Certified

Dimensions are nominal

A Meter Offset is used to connect a conduit to a meter box. It is needed to move the path of the conduit away from a wall into the holes in a box or meter box.

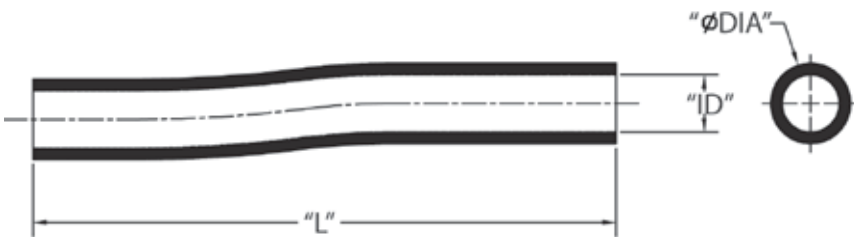


- For use with Schedule 40 & 80 applications
- One female threaded end and one solvent weld bell end
- NEMA TC-3 Compliant
- Made in USA

Conduit Offset

Part Number	Trade Size	Carton Qty.	"L"	"ID"	"DIA"
5133188	1/2	25	6.375	.625	.875
5133189	3/4	25	6.375	.750	1.063

Dimensions are nominal



Conduit offset is a plain end section of conduit formed to go around obstacles or compensate for centerline differences in two conduit runs.

- For use with Schedule 40 & 80 applications
- Two plain end spigot solvent weld ends
- Made from ETL listed rigid PVC conduit
- Made in USA

Fabricated Expansion Joint (Meter Riser)

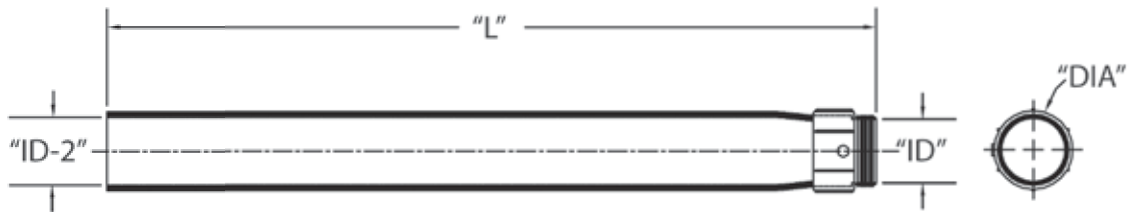


A Meter Riser Expansion Joint with Terminal Adapter is designed for use in electrical service entrance applications where underground service emerges to connect to the meter.

- Protects the electrical cable from ground movement
- Includes a terminal adapter for easy connection to meter
- Fabricated from ETL/UL listed material
- Material is rigid PVC
- Made in USA

Part Number	Trade Size	Carton Qty.	"L"	"ID"	"ID-2"	"DIA"
5144028	2	16	26.625	2.000	2.375	2.750
5144030	2-1/2	12	23.688	2.375	2.875	3.375
5144043	3	12	24.000	3.000	3.500	4.000
5144027	4	10	25.000	NA	4.650	5.125

Dimensions are nominal



Fabricated Expansion Joint (Meter Riser)



CANTEX Schedule 40 & 80 Service Risers are designed to provide permanent protection for underground services where they emerge from the ground to enter structures or enclosures. Their use assures compliance with Article 300-5 of the National Electrical Code.

INCLUDES TERMINAL (MALE) ADAPTER CEMENTED AT TOP END.

7' Lengths

Rated for 90° C Cable

- Impact resistant and will not corrode
- Includes a terminal adapter for easy connection to meter
- Fabricated from ETL/UL listed material
- Material is rigid PVC
- Made in USA

Schedule 40

Part Number	Trade Size	Carton Qty.	"OD" (Nom)	"T" (Min)	TA Trade Size	"L"
5133726	2	140	2.375	.154	2.000	84
5133728	2-1/2	135	2.875	.203	2.500	84
5133730	3	81	3.500	.216	3.000	84
5136008	4	51	4.500	.237	4.000	84

Dimensions are nominal

Schedule 80

Part Number	Trade Size	Carton Qty.	"OD" (Nom)	"T" (Min)	TA Trade Size	"L"
5133729	2	140	2.375	.218	2.000	84
5133731	3	81	3.500	.300	3.000	84
5133732	4	51	4.500	.337	4.000	84

Dimensions are nominal



CANTEX PVC Schedule 40 & 80 and DB-120 Service Risers with a 45° bend provide permanent protection for underground services where they emerge from the ground. The 45° bend eliminates the cost, time and labor to install a separate elbow. Formed from CANTEX Schedule 40 & 80 and DB-120 conduit that are resistant to UV light, their use assures compliance with Article 300-5 of the National Electrical Code.

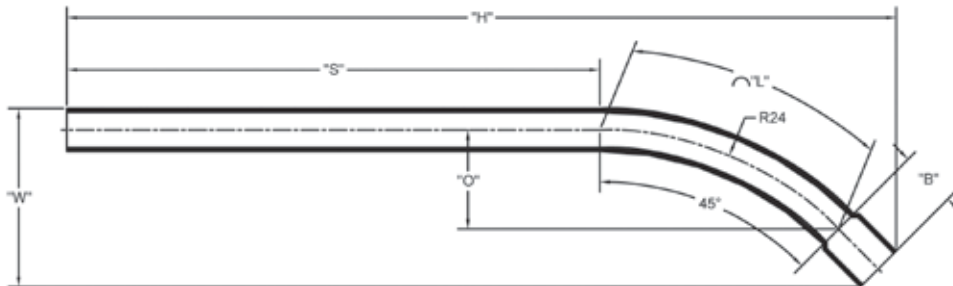
Schedule 40 & 80 Service Riser with 45° Bend & Bell End

Part Number	Size	Description	Carton Qty.	"R"	"O"	"S"	"B" Min.	"L"	"H"	"W"
5283768	2	Sch. 40 45° Hockey Stick	1	24.00	7.00	38.00	2.00	19.00	60.00	14.00

Dimensions are nominal

Part Number	Size	Description	Carton Qty.	"R"	"O"	"S"	"B" Min.	"L"	"H"	"W"
5122030	2	Sch. 80 45° x 24" Radius w/60" Riser	1	24.00	7.00	38.00	2.00	19.00	60.00	14.00
5222035	2-1/2	Sch. 80 45° x 24" Radius w/63.5" Riser	1	24.00	7.00	38.00	2.50	19.00	60.00	14.00
5122032	3	Sch. 80 45° x 24" Radius w/60" Riser	1	24.00	7.00	38.00	3.00	19.00	60.00	14.00
5122039	4	Sch. 80 45° x 24" Radius w/60" Riser	1	24.00	7.00	38.00	4.00	19.00	60.00	14.00
5122037	2-1/2	Sch. 80 45° x 24" Radius w/80" Riser	1	24.00	7.00	58.00	4.00	19.00	80.00	14.00
5122033	3	Sch. 80 45° x 24" Radius w/80" Riser	1	24.00	7.00	58.00	4.00 <td 19.00	80.00	14.00	
5122038	4	Sch. 80 45° x 24" Radius w/80" Riser	1	24.00	7.00	58.00	4.00	19.00	80.00	14.00

Dimensions are nominal



- The 45-degree bend eliminates the cost, time, and labor to install a separate elbow
- Use assures compliance with Article 300-5 of the NEC
- Fabricated from ETL listed material
- Material is Schedule 40 PVC
- Made in USA

DBHM-120 Service Riser with 45° Bend & Bell End

DBHM-120 Service Risers are formed of DBHM-120 CONDUIT. Their use allows installation to meet requirements of NEC(2011) Article 300.50. DBHM-120 Service Risers are not for exposed applications.

Part Number	Size	Description	Carton Qty.
5283766	1	DB120 45° x 24" Radius	1



- The 45-degree bend eliminates the cost, time, and labor to install a separate elbow
- Made with High Modulus (HM) PVC material
- Does not support combustion and is self extinguishing
- Use assures compliance with Article 300-5 of the NEC
- Rates for 90-degree C Cable
- Made in USA

EZ GUARD® Wildlife Protector**EZ GUARD® Wildlife Protector**

Animals are one of the most frequent causes of interruption to power. According to the US Energy Information Administration, about 13 million people nationwide are affected by wildlife-caused outages each year. These interruptions are extremely frustrating and very costly to utility companies trying to restore power and fix damaged equipment. They are also deadly to the animal intruders.



The CANTEX EZ GUARD Wildlife Protector is designed to help the utility industry reduce the number of power outages and damages caused by animals by protecting the live parts of energized line devices. EZ GUARD's impenetrable design also safeguards susceptible wildlife from death, and in some cases, protects the utilities from penalties associated with destroying endangered, protected species. EZ GUARD can be used to protect the live parts of all distribution transformer primary bushings, lightning arresters, pole risers, capacitor banks, voltage regulators, primary metering, and line reclosers.

The CANTEX EZ GUARD Wildlife Guard is the only wildlife protector on the market that is IEEE Certified for 25 KV after extensive dielectric testing, environmental aging, and UV endurance testing.



EZ GUARD wildlife protectors feature a hinged design with superior patented locking system with an extra latch for a fast, seamless and secure installation. Installation of the CANTEX EZ GUARD is literally A SNAP. The EZ locking system provides a dependable closure in seconds, without the need of any tape, zip ties or tools---making pole top installations easier for linemen.



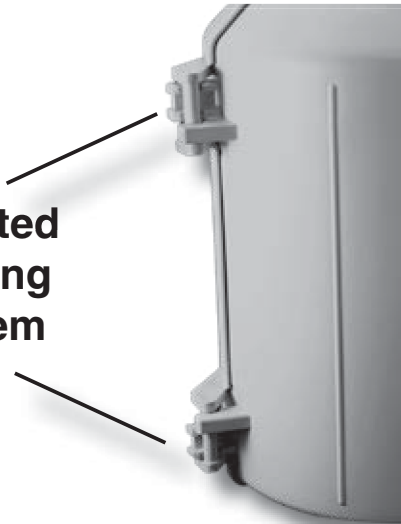
EZGUARD® Wildlife Protector

EZ GUARD® also features feather-like combs on the very bottom which prevent slipping below the first skirt of an insulator while guarding against animal intrusion. Similar feather-like, combed cable and mounting port entrances also prevent wildlife intrusion around cables while guaranteeing easy cable installation. The shrewdest of intruders whether birds, squirrels, raccoons, rodents or snakes, will not be able enter an EZ GUARD wildlife protector even when instincts tell them to nest.

Feather-like, Combed Port Entrance



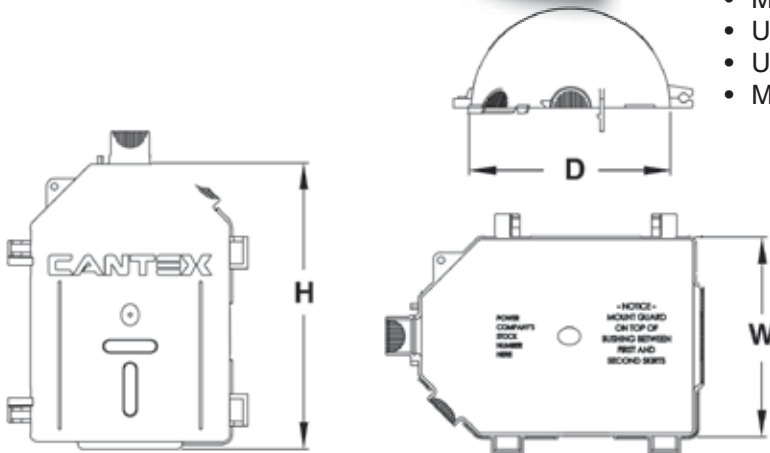
Patented Locking System



EZ GUARD is made of durable element and UV resistant polyethylene with heavy wall construction. The precise material selection and extensive testing of our product engineers assures that EZ GUARD is perfect for precision installation and for withstanding the harshest of environments for years of low maintenance protection.

EZ GUARD installation couldn't be easier. It takes just seconds to install! Simply line up both the hinged sides of the EZ GUARD around the live part of the bushing. Next, just close the EZ GUARD until it snaps in place. You are DONE! In just seconds, the hinged design and patented locking system does all the work.

- 25 KV use per IEEE Test 1656
- Made with polyethylene for heavy wall construction
- UV resistant
- Unique hinge and interlocking design for easy installation
- Made in USA



Part Number	Carton Quantity	Height	Width	Depth
EZGUARD	20	7.875	5.500	5.500

Watch an EZ GUARD installation video at <https://www.cantexinc.com/resources/videos>

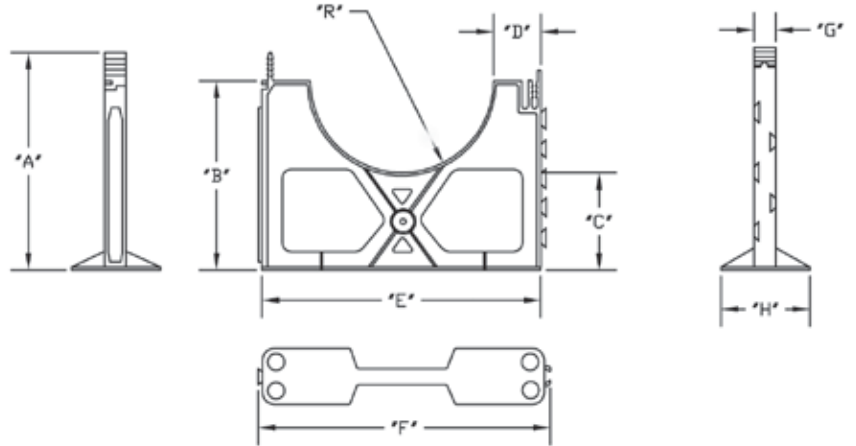


Base Spacers



Base Spacers are used to create concrete encased bury duct banks that are strong and stable with consistent duct separation.

- Vertical and horizontal interlocking for fast secure field assembly
- Wide base plate provides solid support for the heaviest loads
- For use with all EB & DB and schedule 40 & 80 conduit when encased in cement
- Only base and intermediate components are needed - no banding necessary
- Made in USA



Recent Product Improvements to Base Spacer:

- Strengthened webbing and cross beams to improve strength and rigidity
- Significantly improved the crush test rating
- Added 1/4 inch to each side of the base of all trade sizes for better stability

Material is Polystyrene

Part Number	Size	Carton Qty.	"A"	"B"	"C"	"D"	"E"	"F"	"G"	"H"	"R"
5335961	2 x 1-1/2	100	4.875	4.250	3.000	.750	4.000	4.250	1.000	3.000	1.250
5335977	2 x 2	100	4.875	4.250	3.000	1.000	4.500	4.750	1.000	3.000	1.250
5335979	2 x 3	100	4.875	4.250	3.000	1.500	5.500	5.750	1.000	3.000	1.250
5335963	3 x 1-1/2	90	5.500	4.750	3.000	.750	5.125	5.375	1.000	3.000	1.813
5335964	3 x 2	80	5.500	4.750	3.000	1.000	5.625	5.875	1.000	3.000	1.813
5335975	3 x 3	70	5.500	4.750	3.000	1.150	6.625	6.875	1.000	3.000	1.813
5335971	4 x 1	80	5.938	5.250	3.000	.500	5.625	5.875	1.000	3.000	2.313
5335968	4 x 1-1/2	75	5.938	5.313	3.000	.750	6.125	6.375	1.000	3.000	2.313
5335967	4 x 2	70	5.938	5.313	3.000	1.000	6.625	6.875	1.000	3.000	2.313
5335969	4 x 3	65	5.938	5.250	3.000	1.500	7.625	7.875	1.000	3.000	2.313
5335980	5 x 1-1/2	60	6.500	5.813	3.000	.750	7.813	7.438	1.000	3.000	2.875
5335976	5 x 2	60	6.500	5.813	3.000	1.000	7.688	7.938	1.000	3.000	2.875
5335978	5 x 3	50	6.500	5.813	3.000	1.500	8.688	8.938	1.000	3.000	2.875
5336039	6 x 1-1/2	50	7.000	6.375	3.000	.750	8.250	8.500	1.000	3.000	3.375
5336051	6 x 2	50	7.000	6.375	3.000	1.000	8.750	9.000	1.000	3.000	3.375
5336040	6 x 3	50	7.000	6.375	3.000	1.500	9.750	10.000	1.000	3.000	3.375

Dimensions are nominal

Intermediate Spacers

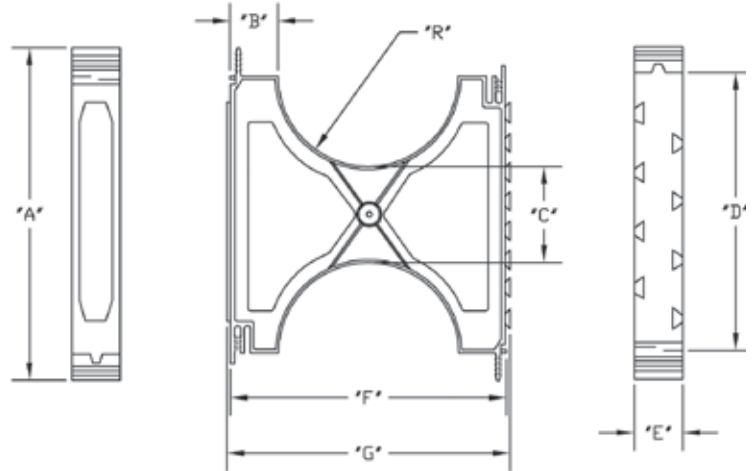


Intermediate Spacers are used to create concrete encased bury duct banks that are strong and stable with consistent duct separation.

- Vertical and horizontal interlocking for fast secure field assembly
- Intermediate spacers can be used on top of duct bank to prevent top tier from floating during encased burial
- For use with all EB & DB and schedule 40 & 80 conduit when encased in cement
- Only base and intermediate components are needed - no banding necessary
- Made in USA

Recent Product Improvements to Intermediate Spacer:

- Strengthened webbing and cross beams to improve strength and rigidity
- Significantly improved the crush test rating



Material is Polystyrene

Part Number	Size	Carton Qty.	"A"	"B"	"C"	"D"	"E"	"F"	"G"	"R"
5336000	2 x 1-1/2	200	5.188	.750	1.375	3.875	1.000	4.000	4.250	1.250
5336018	2 x 2	170	5.688	1.000	1.875	4.375	1.000	4.500	4.750	1.250
5336032	2 x 3	110	6.688	1.500	2.875	5.375	1.000	5.500	5.750	1.250
5336016	3 x 1-1/2	140	6.313	.750	1.375	5.000	1.000	5.125	5.375	1.813
5336020	3 x 2	110	6.750	1.000	1.875	5.438	1.000	5.625	5.875	1.813
5336031	3 x 3	75	7.813	1.500	2.875	6.500	1.000	6.625	6.875	1.813
5336017	4 x 1	105	7.000	.500	1.125	5.750	1.000	5.625	5.875	2.313
5336021	4 x 1-1/2	100	7.313	.750	1.375	6.000	1.000	6.125	6.375	2.313
5336019	4 x 2	80	7.813	1.000	1.875	6.500	1.000	6.625	6.875	2.313
5336024	4 x 3	55	8.813	1.500	2.875	7.500	1.000	7.625	7.875	2.313
5336028	5 x 1-1/2	75	8.375	.750	1.375	7.000	1.000	7.188	7.438	2.875
5336029	5 x 2	55	8.875	1.000	1.875	7.500	1.000	7.688	7.938	2.875
5336030	5 x 3	45	9.875	1.500	2.875	8.500	1.000	8.688	8.938	2.875
5336038	6 x 1-1/2	50	9.438	.750	1.500	8.125	1.000	8.250	8.500	3.375
5336050	6 x 2	45	9.938	1.000	2.000	8.625	1.000	8.750	9.000	3.375
5336041	6 x 3	40	10.938	1.500	3.000	9.625	1.000	9.750	10.000	3.375

Dimensions are nominal

Plastic Spacers for Duct

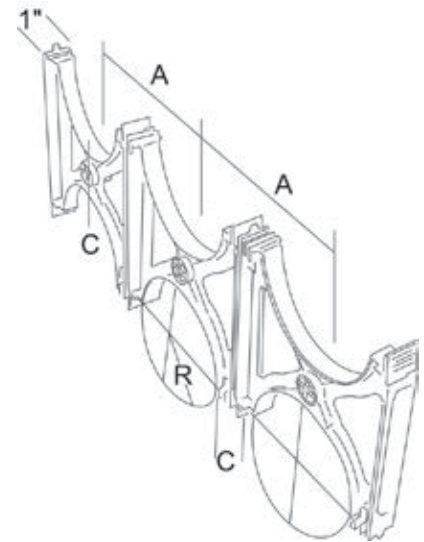
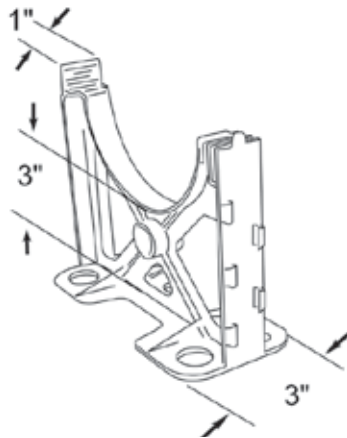
Vertical and Horizontal Interlocking for Completely Enclosed and Locked-in Duct Banks

- They snap together vertically for fast, secure field assembly.
- Only two components, base and intermediate, are needed. Banding is not necessary.
- With the vertical-lock spacers, ducts are accurately separated. Spacers lock firmly together, preventing separation while workmen walk atop the bank.
- Alignment of the duct bank sections is relatively easy with this completely locked-in construction.
- To prevent the top tier from floating during encased burial, it is recommended that an intermediate spacer be used as a cap.
- For use with all EB & DB and schedule 40 & 80 encased burial conduit installations.
- Vertical and horizontal interlocking permits building a strong, locked-in duct bank. A wide baseplate provides solid support for heaviest loads.

Nominal Size	1" Separation			1-1/2" Separation			2" Separation			3 Separation		
	R	A	C	R	A	C	R	A	C	R	A	C
2				1.2	4.0	1.5	1.2	4.5	2.0	1.2	5.5	3.0
3				1.8	5.1	1.5	1.8	5.6	2.0	1.8	6.6	3.0
4	2.3	5.6	1.0	2.3	6.1	1.5	2.3	6.6	2.0	2.3	7.6	3.0
5				2.9	7.3	1.5	2.9	7.9	2.0	2.9	8.9	3.0
6				3.3	8.2	1.5	3.4	8.7	2.0	3.4	9.8	3.0

Base spacers provide a 3" separation between bottom row of ducts & trench floor, except for 4" x 1" which is 1-3/4".

To determine the trade size needed for your spacers, look at the size of the pipe and the size of the separation needed. For example, the 2 x 1-1/2 in. Base Spacer can handle up to 2" diameter conduit with 1-1/2" spacing between conduit runs.



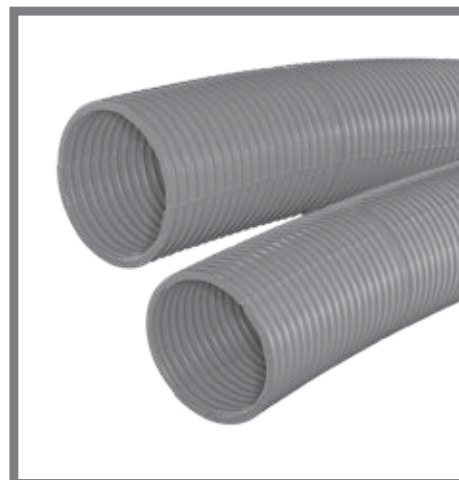
NEC 70 Spacer Requirements

Conduit Trade Size	Maximum Spacing Between Supports
1/2 to 1	3 ft.
1-1/4 to 2	5 ft.
2-1/2 to 3	6 ft.
3-1/2 to 5	7 ft.
6	8 ft.

UT-Flex® P&C Flexible Utility Duct

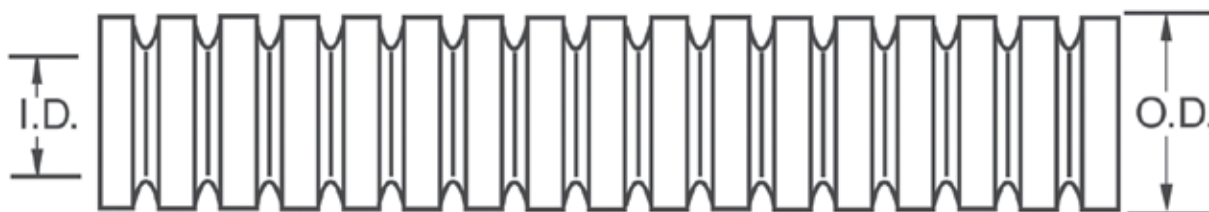
UT-Flex® P&C Corrugated Flexible Utility Conduit Reels are designed specifically for power and communications applications, offering exceptional flexibility and fast and easy handling and installation.

- Can be used in underground or aboveground applications
- Non-conductive, corrosion and sunlight resistant
- Corrugated design allows for hand bending
- Meets NEMA TC-12 Standards
- For Non-UL applications
- Uses standard schedule 40 fittings
- Made in USA



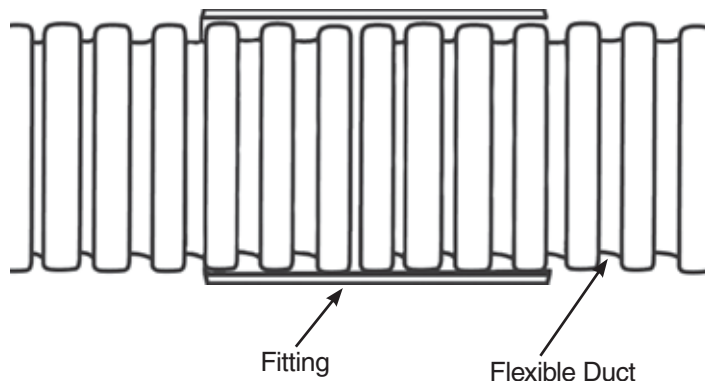
Part No.	Size	O.D. (Nom)	I.D. (Nom)	Feet per Spool
A90CAG1	2	2.375	2.045	250
A90CEG1	2-1/2	2.875	2.469	250
A90DAG1	3	3.500	3.068	250
A90EAG1	4	4.500	4.026	250

Dimensions are nominal



INSTALLATION INSTRUCTIONS

1. Clean both ends of duct to be joined.
2. Trim ends square to ensure a secure joint.
3. Using ENT standard solvent cement, apply a full, even coat of cement to outside of flexible duct to the depth of fitting to be joined to the duct.
4. Apply a light coat of cement to the inside of the fitting.
5. Slide fitting over the end of the duct twisting slightly to be sure fittings are fully seated.



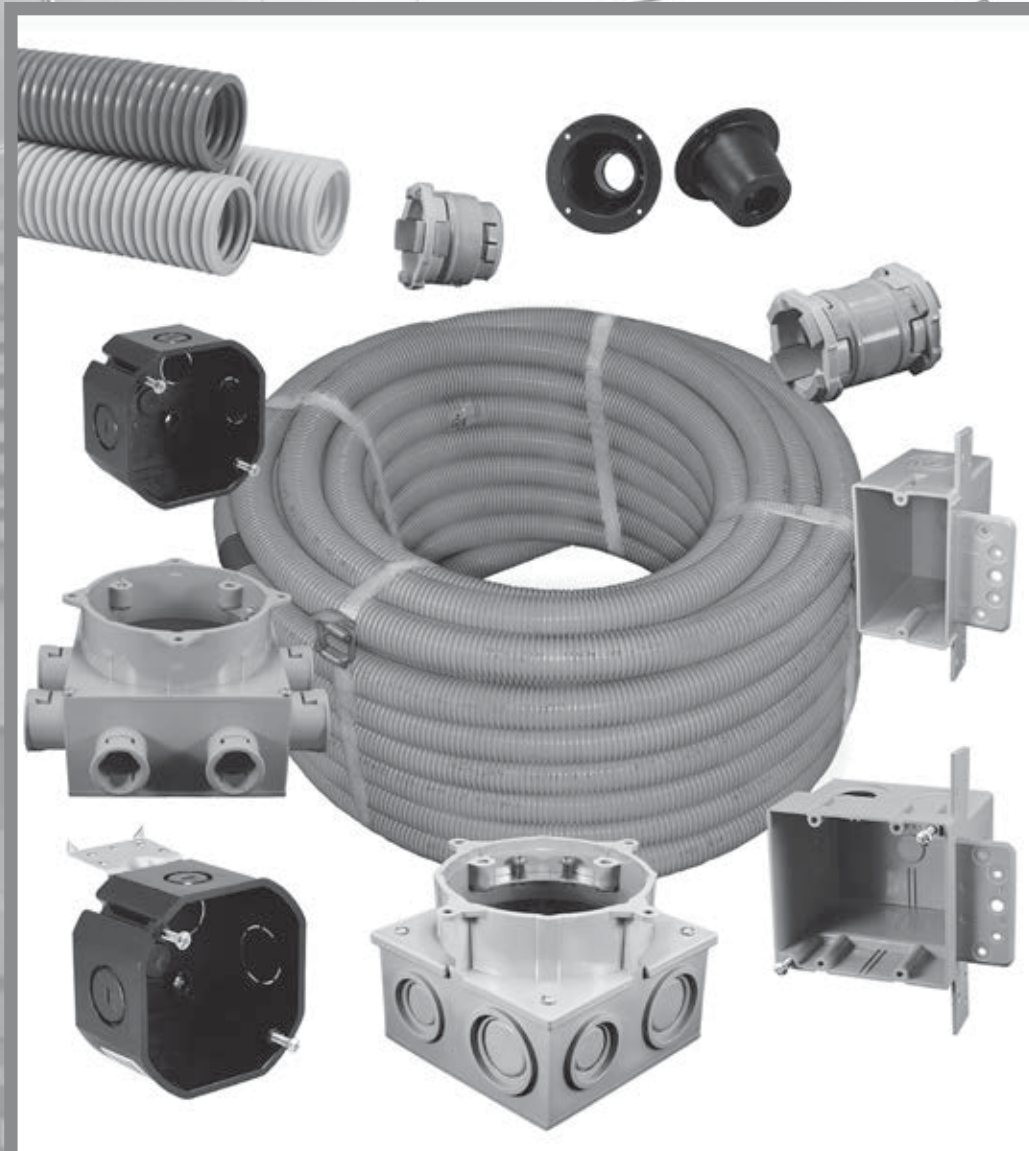
ENT NO. 50 Cement
Solvent Cement for EZ-FLEX ENT



Part Number	Size	Carton Qty.
7210402	Pint	12
7210403	Quart	12



EZ Flex® Flexible Electrical Nonmetallic (ENT) Tubing, Fittings & Accessories, and Boxes



EZ Flex® Flexible ENT Electrical Nonmetallic Tubing is a high performance low cost alternative to electrical metallic tubing. EZ FLEX not only costs less than metal tubing, but installation time is dramatically reduced, saving expensive labor cost. Since the corrugated design allows bending by hand, it eliminates the need for bending equipment and/or special tools. Reduced inner surface area cuts down on drag so that wire pulling is accomplished easier and faster. EZ FLEX is used in circuits of 600 volts or less. The minimum installation temperature is -4°F (-20°C) and maximum ambient temperature is 122°F (50°C).

- Used in ceilings, walls and slabs
- Concrete tight
- Use with CANTEX ENT NO. 50 Cement
- Non-conductive and corrosion resistant
- Corrugated design allows for hand bending
- Meets NEMA TC-13 and NEC Article 331 Standards
- ETL listed
- Made in USA

EZ FLEX® Straight 10' Lengths



Part No.	Size	Color	Feet per Pack	O.D. (Nom)		I.D. (Nom)		Approx. Wt/Ft
				Min.	Max.	Min.	Max.	
A51AE11	1/2	Blue	3,600	.832	.848	.574	.630	.100
A51AG11	3/4	Blue	4,000	1.040	1.060	.744	.834	.137
A51BA11	1	Blue	2,400	1.305	1.325	.999	1.059	.178

Dimensions are nominal

EZ-Flex Straight 10" lengths are also available in red and yellow. Call for quotes.

EZ FLEX® Coils



Part No.	Size	Color	Feet per Coil	O.D. (Nom)		I.D. (Nom)		Approx. Wt/Ft
				Min.	Max.	Min.	Max.	
A51AEB1	1/2	Blue	200	.832	.848	.574	.630	.100
A51AGA1	3/4	Blue	100	1.040	1.060	.744	.834	.137
A51BAA1	1	Blue	100	1.305	1.325	.999	1.059	.178

Dimensions are nominal

EZ-Flex Coils are also available in red and yellow. Call for quotes.

EZ FLEX® Reels



Part No.	Size	Color	Feet per Pack	O.D. (Nom)		I.D. (Nom)		Approx. Wt/Ft
				Min.	Max.	Min.	Max.	
A51AEQ1	1/2	Blue	1,500	.832	.848	.574	.630	.100
A51AGJ1	3/4	Blue	1,000	1.040	1.060	.744	.834	.137
A51BAN1	1	Blue	750	1.305	1.325	.999	1.059	.178

Dimensions are nominal

EZ-Flex Reels are also available in red and yellow. Call for quotes.



ENT Coupling

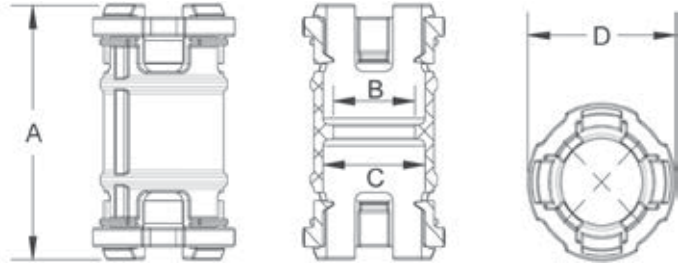


EZ Flex® ENT Couplings are used to join lengths of EZ Flex Electrical Nonmetallic Tubing together with two bell ends.

- Snap-in place design eliminates the need for solvent cement
- Meets concrete tightness requirements
- UL listed

Part No.	Size	Carton Qty.	A	B	C	D
5163380	1/2	200	2.000	.700	.850	1.235
5163381	3/4	200	1.957	.894	1.057	1.529
5163382	1	100	2.127	1.123	1.325	1.793

Dimensions are nominal



ENT Male Adapter-Threaded

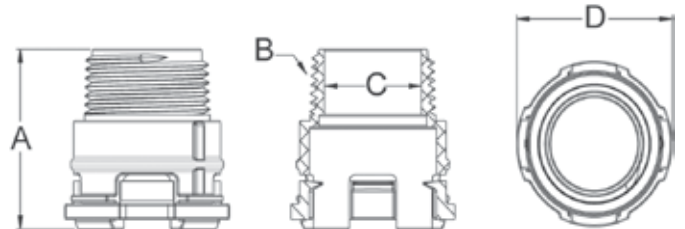


EZ Flex® ENT Threaded Terminal Adapters are used to join EZ Flex Electrical Nonmetallic Tubing to ENT boxes or fittings containing round openings in order to accept a male thread and/ or lock nut.

- Snap-in place design eliminates the need for solvent cement
- Meets concrete tightness requirements
- UL listed
- Made in USA

Part No.	Size	Carton Qty.	A	B	C	D
5163415	1/2	200	1.620	14 NPT	.600	1.235
5163416	3/4	200	1.548	14 NPT	.797	1.529
5163417	1	100	1.763	11-1/2 NPT	1.010	1.793

Dimensions are nominal



ENT Male Adapter-Snap In

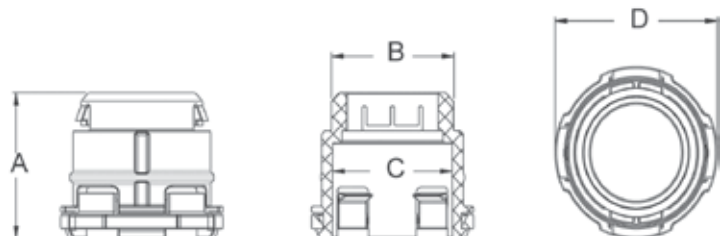


EZ Flex® ENT Snap-in Terminal Adapters are used to join EZ Flex Electrical Nonmetallic Tubing to ENT boxes or fittings.

- Snap-in place design eliminates the need for solvent cement
- Meets concrete tightness requirements
- UL listed

Part No.	Size	Carton Qty.	A	B	C	D
5163405	1/2	200	1.460	.963	.850	1.235
5163406	3/4	200	1.438	1.185	1.057	1.529
5163407	1	100	1.523	1.455	1.325	1.793

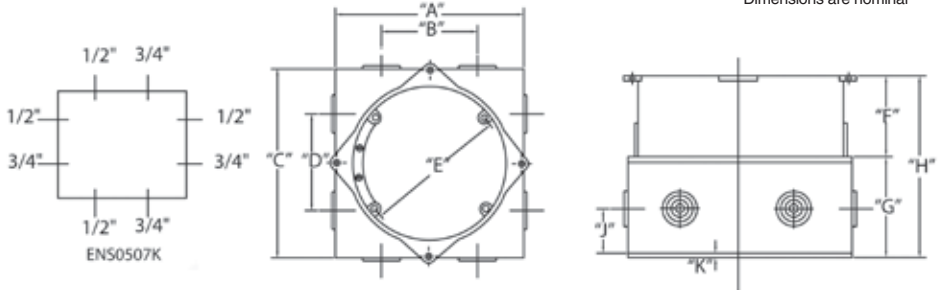
Dimensions are nominal



ENT Slab Box with Knockouts

Part No.	Connectors	Carton Qty.	"A"	"B"	"C"	"D"	"E"	"F"	"G"	"H"	"J"	"H"
ENS0507K	4 x 1/2" - 4 x 3/4"	25	4.530	2.250	4.530	2.250	3.444	1.340	2.125	3.590	1.063	.125

Dimensions are nominal



CANTEX ENS0507K is a 55.5 cu. in. ENT Slab Box with 1/2 & 3/4 inch Knockouts designed for use with electrical nonmetallic tubing (ENT) and standard electrical devices and switches in residential and light commercial applications.

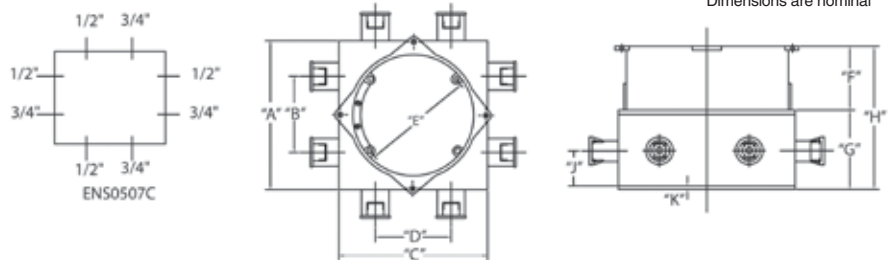
- For use with EZ Flex Electrical Nonmetallic Tubing
- Includes four 1/2 in. and four 3/4 in. knockouts
- Concrete tight
- Max fixture weight is 50 pounds. Max ceiling fan weight is 35 pounds
- UL Listed



ENT Slab Box with Connectors

Part No.	Connectors	Carton Qty.	"A"	"B"	"C"	"D"	"E"	"F"	"G"	"H"	"J"	"H"
ENS0507C	4 x 1/2" - 4 x 3/4"	25	4.530	2.250	4.530	2.250	3.444	1.340	2.125	3.590	1.063	.125

Dimensions are nominal



CANTEX ENS0507C is a 55.5 cu. in. ENT Slab Box with 1/2 & 3/4 inch Snap-In Connectors designed for use with electrical nonmetallic tubing (ENT) and standard electrical devices and switches in residential and light commercial applications.

- For use with EZ Flex Electrical Nonmetallic Tubing
- Includes four 1/2 in. and four 3/4 in. snap-in connectors
- Concrete tight
- Max fixture weight is 50 pounds. Max ceiling fan weight is 35 pounds
- UL listed



ENT Stubby



An ENT Stubby is used to create conduit stubdowns in concrete slabs. It gives protection to the ENT conduit from potential damage during the removal of wood forms.

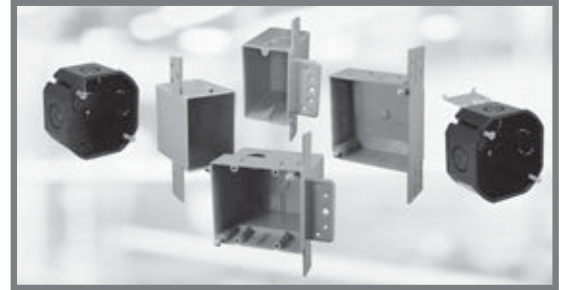
Part No.	Size	Carton Qty.
EN050SBY	1/2"	150
EN075SBY	3/4"	150
EN100SBY	1"	200

Dimensions are nominal

EZ BOX® ENT (Electrical Non-Metallic Tubing) Boxes

Our EZ BOX ENT Boxes are designed for use with our light, flexible and strong ENT (Electrical Non-Metallic Tubing products). With specifically designed concentric knockouts, they are perfect for creating ENT electrical systems with ENT Tubing and ENT fittings in walls, floors and non-plenum ceiling spaces. All our PVC ENT products are made of resilient non-conductive PVC that won't corrode or conduct electricity and they can be used with ENT snap-in fittings or standard Schedule 40 fittings. Learn about our full line of EZ BOXES starting on page 119.

Covers and risers for CANTEX ENT boxes are located on page 151 & 152.



EZ BOX® ENT 1-Gang 16 cu. in. Switch or Outlet Box



EN16SB is a 1-Gang, 16 cu. in., ENT switch or outlet box designed for use with electrical nonmetallic tubing (ENT) and standard electrical devices and switches in residential and light commercial applications. EN16SB features molded flanges and three 1/2 inch knockouts for EZ installation and multiple connections.

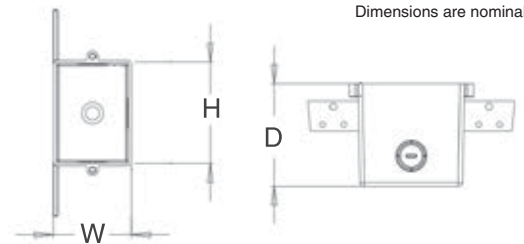
- Suitable for masonry walls
- Engineered for easy, cost saving installation and constructed with resilient PVC for durability
- ETL Listed, ETL 2 Hour Fire-rated
- Made in USA



2 hour fire-rated

Part Number	Carton Quantity	Height	Width	Depth
EN16SB	25	3.000	2.260	2.970

Dimensions are nominal



EZ BOX® ENT 4 Inch Square 20 cu. in. Switch or Outlet Box



EN20DB is a 4 inch Square, 20 cu. in., ENT switch or outlet box designed for use with electrical nonmetallic tubing (ENT). 4" square boxes provide maximum volume for multiple conductors and connectors running in multiple directions. EN20DB features molded flanges and 7 knockouts for EZ installation and multiple connections.

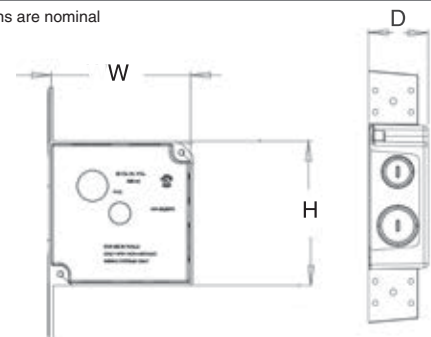
- Suitable for masonry walls
- Engineered for easy, cost saving installation and constructed with resilient PVC for durability
- ETL Listed, ETL 2 Hour Fire-rated
- Made in USA



2 hour fire-rated

Part Number	Carton Quantity	Height	Width	Depth
EN20DB	100	4.000	4.000	1.380

Dimensions are nominal



EZ BOX® 1-Gang, 22 cu. in., ENT Electrical Box



EZ BOX EN22SB is a 1-gang ENT box designed for use with electrical non-metallic tubing (ENT). This 22 cu. in. box is the largest capacity ENT 1-gang box available today. It features ample room for all necessary wiring. This box includes 1/2, 3/4 and 1 inch concentric knockouts to fit multiple sizes of ENT tubing and fittings.

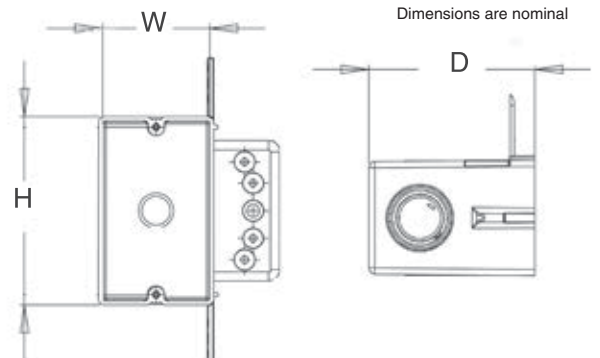
- Suitable for masonry walls
- Flange for easy mounting to wood or steel wall studs
- Engineered for easy, cost saving installation and constructed with resilient PVC for durability
- ETL Listed, ETL 2 Hour Fire-rated
- Made in USA



2 hour fire-rated

Part Number	Carton Quantity	Height	Width	Depth
EN22SB	25	3.690	2.250	3.250

Dimensions are nominal



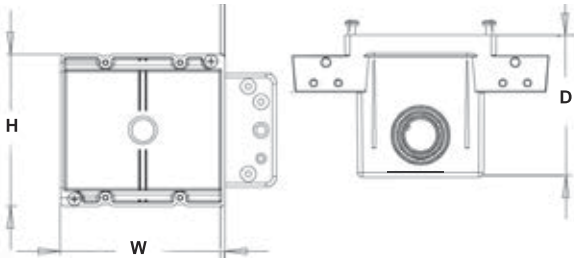
EZ BOX® ENT 2-Gang 38 cu. in. Switch or Outlet Box

Part Number	Carton Quantity	Height	Width	Depth
EN38DB	25	3.700	3.960	3.500

Dimensions are nominal

EZ BOX EN38DB is a 2-Gang ENT box designed for use with electrical non-metallic tubing (ENT). It features ample room for all necessary wiring and 1/2, 3/4 and 1 inch concentric knockouts to fit multiple sizes of ENT tubing and fittings.

- Concentric knockouts for use with multiple size ENT tubing and fittings
- Flange for easy mounting to wood or steel wall studs
- Suitable for masonry walls
- Engineered for easy, cost saving installation and constructed with resilient PVC for durability
- ETL Listed, ETL 2 Hour Fire-rated
- Made in USA



2 hour fire-rated

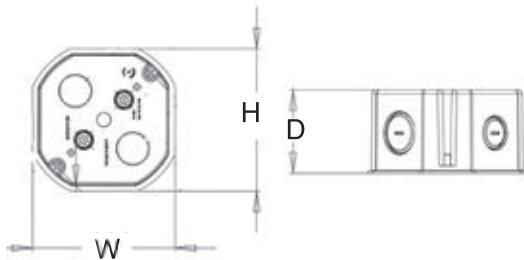
EZ BOX® ENT 20 cu. in. Ceiling Box

Part Number	Carton Quantity	Height	Width	Depth
EN20C	50	3.670	3.670	2.200

Dimensions are nominal

CANTEX EN20C is a 20 cu. in. octagon ENT Ceiling Box for residential and light commercial ceiling fixture applications. It features 6 knockouts for multiple wiring options.

- Multiple 1/2 and 3/4 in. knockouts for ENT tubing options
- Not suitable for ceiling fans
- Supports fixtures up to 50 lbs.
- Engineered for easy, cost saving installation and constructed with durable polycarbonate for extra strength
- ETL Listed, ETL 2 Hour Fire-rated
- Made in USA



2 hour fire-rated

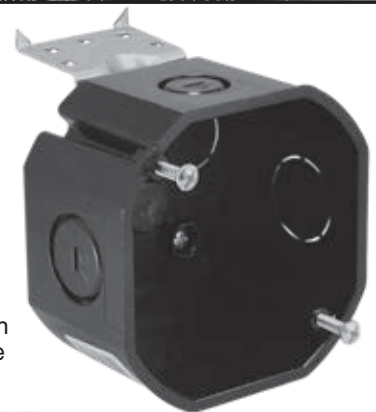
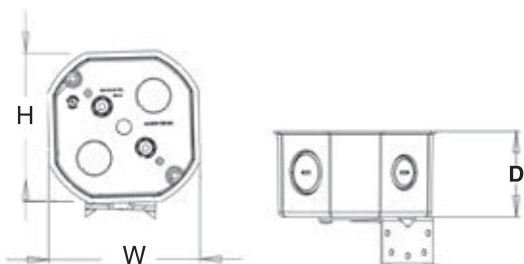
EZ BOX® ENT 20 Cubic Inch Ceiling Box with L-Bracket

Part Number	Carton Quantity	Height	Width	Depth
EN20CB	50	3.670	3.670	2.200

Dimensions are nominal

CANTEX EN20CB is a 20 cu. in. octagon ENT Ceiling Box with an L-Bracket. It is for residential and light commercial ceiling fixture applications. It features an L-bracket for EZ installation and 6 knockouts for multiple wiring options.

- Multiple 1/2 and 3/4 in. knockouts for ENT tubing options
- Not suitable for ceiling fans
- Supports fixtures up to 50 lbs.
- Engineered for easy, cost saving installation and constructed with durable polycarbonate for extra strength
- ETL Listed, ETL 2 Hour Fire-rated
- Made in USA



2 hour fire-rated

INSTALLATION INSTRUCTIONS - ELECTRICAL NONMETALLIC TUBING

Instructions for Solvent Welding Fittings to Electrical Nonmetallic Tubing (ENT)

- 1) Use **CANTEX** No. 50 ENT Solvent Cement or other PVC cement which is specifically labeled for use with ENT. **DO NOT USE** heavy or medium bodied PVC cement (pressure pipe type) or combination ABS/PVC cement.
- 2) Cut tubing ends square and smooth with a knife or saw. Remove burrs and ragged edges with a knife, file or abrasive cloth.
- 3) Remove all dust, dirt and moisture from ENT and fittings before applying cement.
- 4) **DO NOT USE PRIMER OR CLEANER.**
- 5) Apply **CANTEX** No. 50 Solvent Cement with the natural bristle brush supplied in the can lid. **DO NOT USE A DAUBER.**
- 6) Apply a light, uniform coat of cement inside the socket fitting.
- 7) Apply a light, uniform coat of cement to the outside surface of the ENT to the depth of the fitting socket. Brush **AROUND THE CORRUGATIONS OF THE ENT, NOT LONGITUDINALLY.** Brush away any excess cement out of the grooves of the ENT. Excess cement may cause burning and excess softening of the ENT which may result in joint failure under stress.
- 8) While cement is still setting, quickly insert the ENT up to the center stop of the fitting. Give the fitting a quarter turn and hold firmly in place for 15 to 30 seconds. Do not disturb the fitting for two to five minutes to allow firm joint set.

Helpful Tips for Better Joints

The best solvent cementing results are obtained in temperatures above 40°F. In colder temperatures, allow longer times for initial settings. In cold weather, do not put joints under stress for 24 to 48 hours.

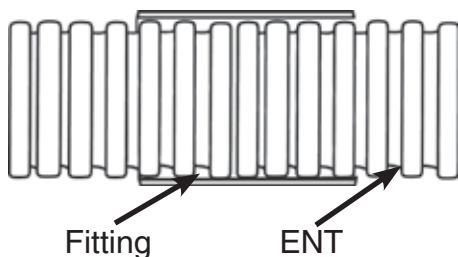
Keep can lid closed while not in use since cement is highly volatile and also will absorb moisture from the air. Do not use cement if it becomes lumpy or jelled. If lumpy or jelled, **DISCARD THE PVC CEMENT** and do not try to thin with PVC primer or cleaner.

Installers should verify for themselves that they can make satisfactory joints under varying conditions. Contact **CANTEX** for additional instructions or information if needed.

Do not use PVC solvent cement on the threads of threaded fittings.

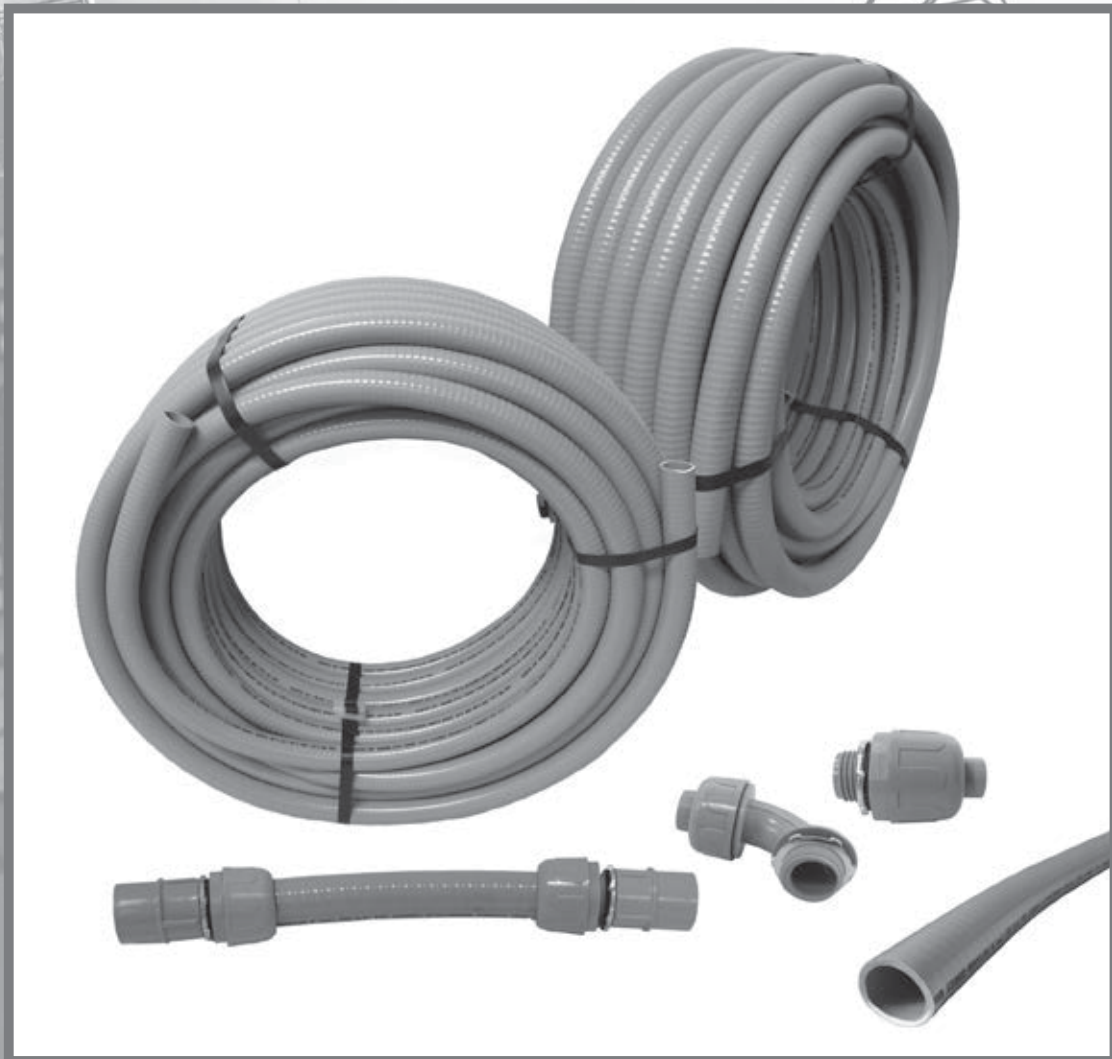
CAUTION

PVC Cement is highly flammable. Do not use in the presence of lighted smoking materials, open flames, metal welding in progress or open electrical arcs.



Part Number	Size	Carton Qty.
7210402	Pint	12
7210403	Quart	12

Enviro-Flex® Liquidtight Flexible Conduit & Fittings



Applications:

- HVAC equipment
- Machine tools
- Marine equipment
- Motors and controls
- Printing equipment
- Pumps
- Refrigeration equipment
- Assemblies
- Wire hook-up

Enviro-Flex® Liquidtight Nonmetallic Flexible Conduit

Enviro-Flex® gives complete environmental protection for exposed cable installations and is ideal for use with control and motor applications, machinery tools, moving machinery, console wire, transformer connections, outdoor lighting, air conditioning systems, heating systems and computer power distribution.

Enviro-Flex offers the following advantages compared to metal conduit:

- INSTALLATION**

1. Enviro-Flex® costs less to install.
2. It is easy to cut with no jagged edges.
3. It is less than half the weight of metal and can utilize all existing liquid tight fittings.

- FLEXIBILITY**

1. Enviro-Flex is more flexible.
2. Its smooth inner bore makes pulling wires easier than ever.

- SERVICE ENVIRONMENT**

1. Enviro-Flex is waterproof, acid, oil, alkaline and corrosion resistant.
2. It is non-conductive, self-extinguishing and extremely resistant to crush, abrasion and strain.
3. UL listed for constant use at maximum 60°C (140°F) and for sunlight resistance.



Enviro-Flex® Liquidtight Conduit - Coils

Part No.	Size	Feet per Coil	O.D. (Nom)		I.D. (Nom)		Approx. Wt/Ft
			Min.	Max.	Min.	Max.	
V06ADA1	3/8	100	.690	.710	.484	.504	.128
V06AEA1	1/2	100	.820	.840	.622	.642	.136
V06AGA1	3/4	100	1.030	1.050	.820	.840	.165
V06BAA1	1	100	1.290	1.315	1.041	1.066	.259
V06BCN1	1-1/4	50	1.630	1.660	1.380	1.410	.339
V06BEN1	1-1/2	50	1.865	1.900	1.575	1.60	.446
V06CAN1	2	50	2.340	2.375	2.020	2.045	.617

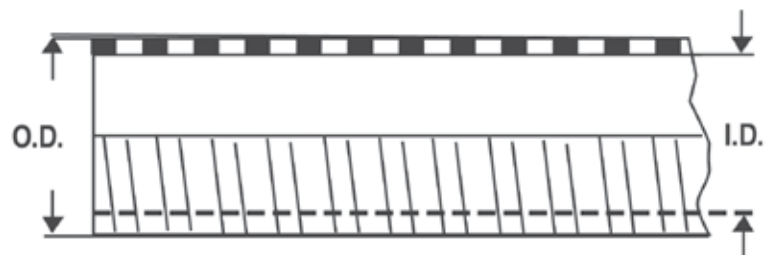
Dimensions are nominal

Enviro-Flex® Liquidtight Conduit - Reels

Part No.	Size	Feet per Reel	O.D. (Nom)		I.D. (Nom)		Approx. Wt/Ft
			Min.	Max.	Min.	Max.	
V06AEJ1	1/2	1000	.820	.840	.622	.642	.136
V06AGM1	3/4	700	1.030	1.050	.820	.840	.165
V06BAD1	1	400	1.290	1.315	1.041	1.066	.259

Dimensions are nominal

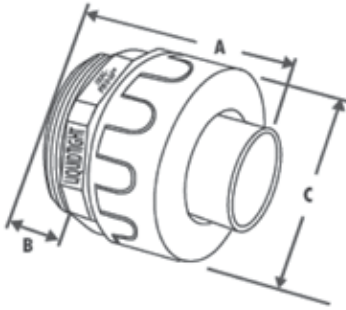
- Ideal for use with control and motor applications, machinery tools, console wire, transformer connections, and air conditioning and heating systems
- Conforms to NEC Article 356 and UL 1660
- Waterproof, non-conductive, self-extinguishing, and crush resistant
- Acid, oil, and corrosion resistant
- UL and CSA listed
- Made in USA



Enviro-Flex® Straight Connectors

Part No.	Size	Carton Qty.	A	B	C
6441000	3/8	100	2.000	.540	1.400
6441001	1/2	100	2.000	.540	1.400
6441002	3/4	50	2.200	.635	1.700
6441003	1	25	2.280	.740	2.000
6441004	1-1/4	25	2.440	.760	2.400
6441005	1-1/2	10	2.700	.800	2.670
6441006	2	10	2.990	.850	3.280

Dimensions are nominal



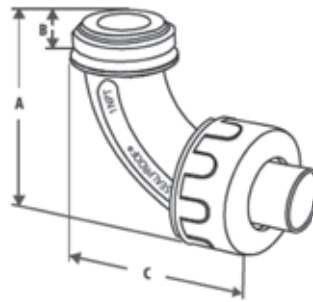
Enviro-Flex® Straight Liquidtight Connector is used to connect Enviro-Flex nonmetallic liquidtight flexible tubing to a box opening or threaded female fitting.

- Use with Enviro-Flex Liquid Tight Conduit
- For use in wet or damp locations
- Durable non-conductive PVC will not rust or corrode
- Polypropylene sealing ring
- UL listed

Enviro-Flex® 90° Connectors

Part No.	Size	Carton Qty.	A	B	C
5441000	3/8	50	2.120	.500	3.120
5441001	1/2	50	2.120	.500	3.120
5441002	3/4	50	2.500	.520	3.600
5441003	1	25	3.125	.700	4.125
5441004	1-1/4	25	4.450	.760	5.200
5441005	1-1/2	10	4.750	.800	5.200
5441006	2	10	5.420	.860	5.800

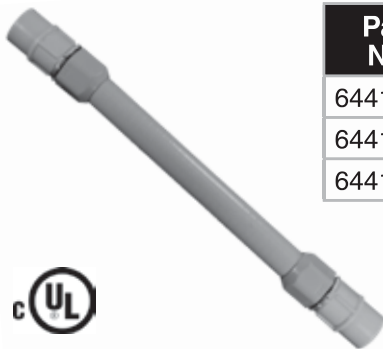
Dimensions are nominal



Enviro-Flex 90 Degree Liquidtight Connector is a connector bent at a 90-degree angle used to connect Enviro-Flex non-metallic liquidtight flexible tubing to a box opening or threaded female fitting.

- Use with Enviro-Flex Liquid Tight Conduit
- For use in wet or damp locations
- Durable non-conductive PVC will not rust or corrode
- Polypropylene sealing ring
- UL listed

Enviro-Flex® Flexible Elbows



Part No.	Size	Carton Qty.
6441101	1/2	8
6441102	3/4	6
6441103	1	6

Enviro-Flex Flexible Liquidtight Elbows are designed to change direction of a conduit run from 0-degree to 90-degree or use in an offset application.

- Conforms to Article 356 of 2005 NEC
- UL listed

Enviro-Flex® Kits

Part No.	Size	Carton Qty.
5441051	1/2	4
5441052	3/4	4



Enviro-Flex Kits contain 6' of Liquidtight tubing, two straight connectors and one 90° connector. Enviro-Flex kits are good for all outdoor applications where waterproof non-corrosive conduit is needed to protect electrical wiring.

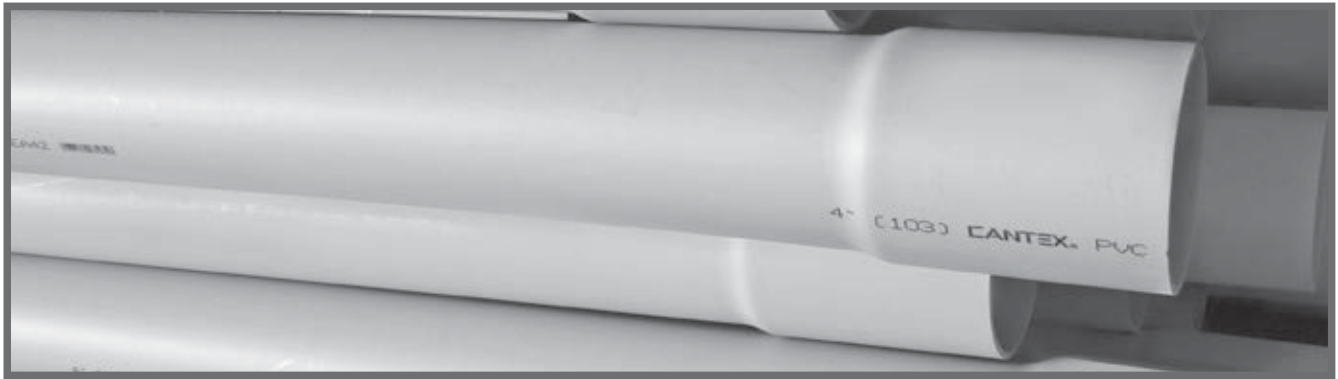
- Easy to install without specialty tools
- For control & motor applications, machinery tools, console wire, transformer connections, and air conditioning & heating systems
- Waterproof, non-conductive, self-extinguishing, & crush resistant
- Acid, oil, and corrosion resistant
- Made in USA

Telephone Duct & Fittings & Accessories for the Telephone Market



This section contains many (but not all) of the PVC electrical products used in the Telephone Market. If the product you need is not in this section, please go to www.cantexinc.com or contact your sales representative.

CAO Telephone Duct



CAO Telephone Duct - Type C
Conforms to NEMA TC-10

Description	Part No.	Size	Approx. Wt/Ft	Feet per Pack	OD (Min)	ID (Min)	T (Min)	B (Min)	D (Min)	E (Min)	L (Min)
Type C CAO for Direct Burial	A93EA42	4"	1.593	1,260	4.345"	3.930"	.150"	4.350"	6.000"	4.375"	240"

Dimensions are nominal.
Type C Duct can also be used for concrete encased applications where specified.

CAO Telephone Duct - Type B
Conforms to NEMA TC-10

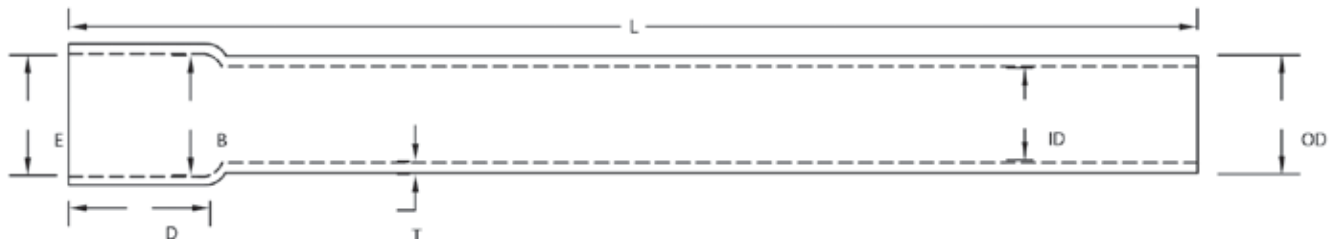
Description	Part No.	Size	Approx. Wt/Ft	Feet per Pack	OD (Min)	ID (Min)	T (Min)	B (Min)	D (Min)	E (Min)	L (Min)
*Type B CAO for Encased Burial	A91EA42	4"	1.010	1,260	4.345"	3.930"	.100"	4.350"	6.000"	4.375"	243"

Dimensions are nominal
***NOTE: Type B & Type D Duct are non-stock items. Call for availability.**

CAO Telephone Duct - Type D

Description	Part No.	Size	Approx. Wt/Ft	Feet per Pack	OD (Min)	ID (Min)	T (Min)	B (Min)	D (Min)	E (Min)	L (Min)
*Type D CAO for Exposed Applications	A95EA42	4"	1.497	1,260	4.345"	3.930"	.155"	4.350"	6.00"	4.375"	240"

Dimensions are nominal
***NOTE: Type B & Type D Duct are non-stock items. Call for availability.**



Watch an installation at <https://www.cantexinc.com/resources/videos>.



CAN>LOC® & CAN>GRIP® HORIZONTAL DIRECTIONAL DRILLING CONDUIT ADVANTAGE

Horizontal directional drilling (HDD) is used to connect underground pipes, wires, cables, and ducts with a trenchless underground drill technique that minimizes damage to infrastructure and environment. CANTEX's CAN>LOC® and CAN>GRIP™ systems offer many benefits over HDPE, the conduit most used for HDD applications. Both CAN>GRIP and CAN>LOC provide strength, flexibility, function, labor cost savings and safety advantages over HDPE and other HDD conduit systems.

Schedule 40 CAN>LOC® Conduit - 20 Lengths

CANTEX PVC Schedule 40 CAN>LOC® Directional Drilling Conduit is designed for horizontal directional drilling applications. CAN>LOC provides a secure, water tight seal without solvent, clamps or bolts. With stronger joint pull ratings than most other HDD systems, CAN>LOC has the extra strength and flexibility needed to protect from bore failures and costly underground repairs. The unique belled end contains a patented Reiber Gasket to maintain a watertight system.

- For directional drilling applications of up to 1,000 feet
- No solvent cement or clamps needed for secure, water-proof joints
- Watertight Reiber gasketed joints
- Lighter for transport & easy job site handling
- No reel removal hassles
- Uses standard schedule 40 fittings
- ETL Listed
- Made in USA
- 20' Lengths



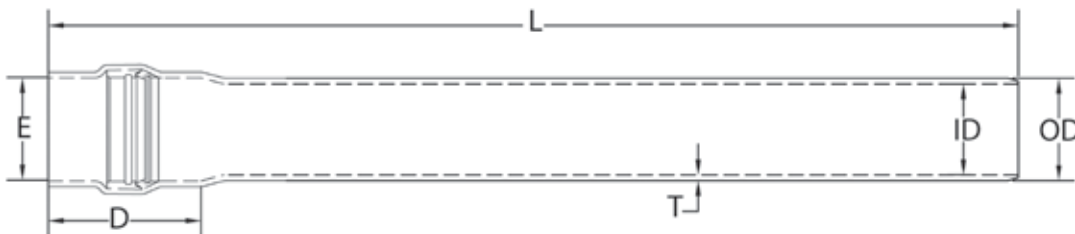
Conforms to UL 651 and NEMA TC-2

**Easy installation to complete
more bores per day!**

Part Number	Trade Size	Length	Lay Length	Pack Qty.	Feet per Truckload	Wt. per 100 ft. (Lbs.)	Min. Bend Radius (ft.)	Insertion Force (Lbs.)	Seal Pressure Rating (Lbs.)	Joined Pull Rating (Lbs.)	Typical Crush (Lbs. @ 30% deflection)	UL 651 / NEMA TC2 Min. Crush (Lbs)
A24EA42	4	20	19.5	520	14,560'	234	65	70	75	12,000	1,075	900
A24GA42	6	20	19.5	400	8,000	456	65	80	75	18,000	950	850

Part Number	Size	Description	T Min	OD	ID Min	E	D Min	L Min
A24EA42	4	CAN>LOC™	.237	4.500	3.961	4.515	6.000	240
A24GA42	6	CAN>LOC™	.280	6.625	5.986	6.658	7.000	240

Dimensions are nominal



CAN>GRIP® IS THE MOST EFFICIENT HDD CONDUIT SYSTEM AVAILABLE

CAN>GRIP® is simply the fastest, easiest Horizontal Directional Drilling conduit system on the market. Since no locking mechanisms are necessary, joint connections take less than one minute, cutting labor costs for HDD projects. This efficiency combined with the quality, function and strength advantage over other HDD products makes CAN>GRIP perfect for bores up to 1,000 feet. CAN>GRIP also provides a water tight seal without solvent, clamps or bolts as well the extra strength and flexibility needed to protect from bore failures and costly underground repairs.

Complete more bores per day with easy installation!



Schedule 40 CAN>GRIP® Conduit - 20' Lengths

Connect in less than one minute!

In a league of its own, CAN>GRIP delivers the easiest and fastest installation of any horizontal directional drilling conduit system available. The internal gripper locking-mechanism does all the work, so CAN>GRIP sections connect in one fast step! Just hit the plain end of the CAN>GRIP length into the belled-end until it is fully inserted and secure. No cement or external locking-mechanisms are needed! The unique belled end contains a patented Reiber Gasket to maintain a watertight system.

- NO EXTERNAL LOCKING MECHANISM needed
- Watertight Reiber gasketed joints
- Patented gripper ring
- Less chance for human error
- For directional drilling applications of up to 1,000 feet.
- No solvent cement or clamps needed for secure, water-proof joints.
- Lighter for transport & easy job site handling
- No reel removal hassles
- Uses standard schedule 40 fittings
- ETL listed
- Made in USA
- 20' Lengths

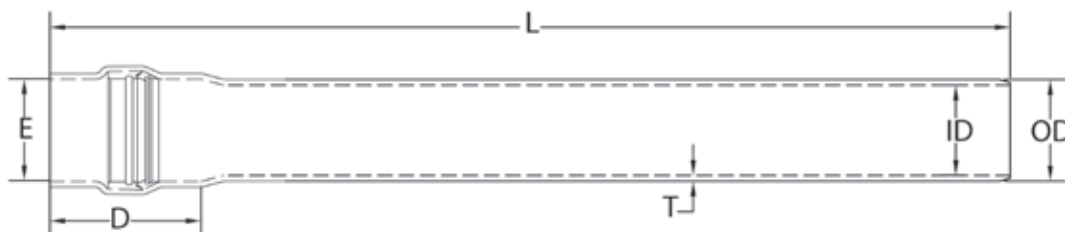


Conforms to UL 651 and NEMA TC-2

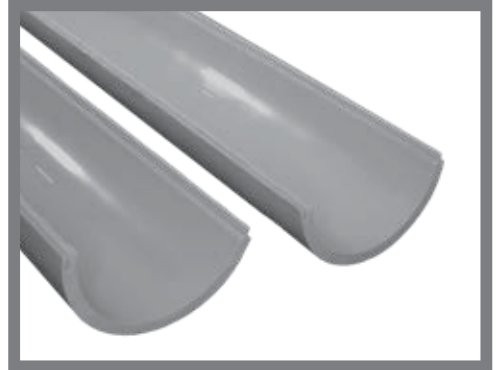
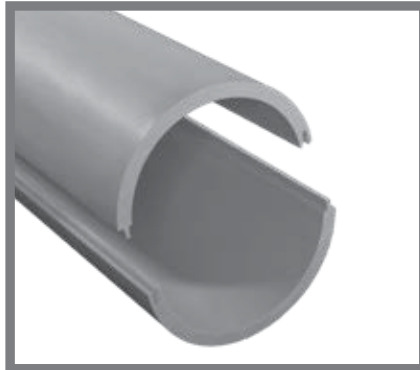
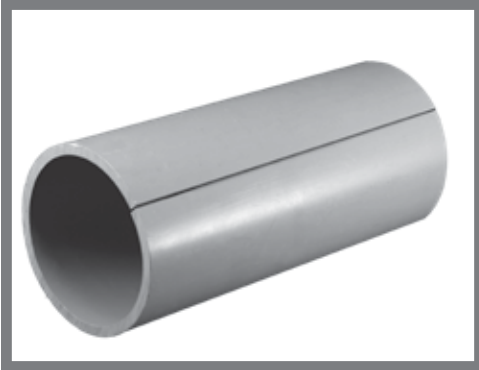
Part Number	Trade Size	Length	Lay Length	Pack Qty.	Feet per Truckload	Wt. per 100 ft. (Lbs.)	Min. Bend Radius (ft.)	Insertion Force (Lbs.)	Seal Pressure Rating (Lbs.)	Joined Pull Rating (Lbs.)	Typical Crush (Lbs. @ 30% deflection)	UL 651 / NEMA TC2 Min. Crush (Lbs)
A30EA42	4	20	19.5	520	14,560	234	65	70	75	10,000	1,075	900
A30GA42	6	20	19.5	400	8,000	456	65	100	75	14,000	950	850

Part Number	Size	Description	T Min	OD	ID Min	E	D Min	L Min
A30EA42	4	CAN>GRIP™	.237	4.500	3.961	4.515	6.000	240
A30GA42	6	CAN>GRIP™	.280	6.625	5.986	6.658	7.000	240

Dimensions are nominal

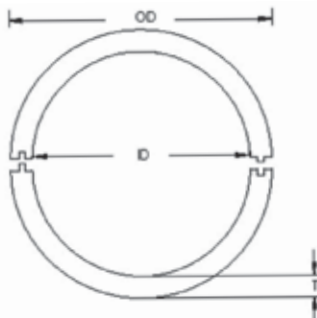


Split Duct



Enables repair of damaged conduit in existing installations with no cutting and splicing of cables.

Schedule 40 Split Duct



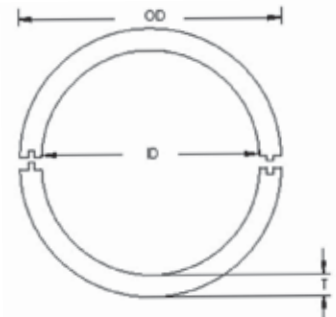
Description	Part No.	Size	Approx. Wt/Ft	Feet per Pack	OD (Min)	ID (Min)	T (Min)
Sch. 40 Split Duct	A52CAZS	2"	.854	700	2.375"	2.021"	.154"
Sch. 40 Split Duct	A52EAZS	4"	2.456	290	4.500"	3.961"	.237"

This product is not UL Listed
Dimensions conform to UL 651 Specification

Dimensions are nominal

CAO TYPE C Split Duct

Description	CANTEX Part No.	Size	Approx. Wt/Ft	Feet per Pack	OD (Min)	ID (Min)	T (Min)
CAO Split Duct Type C	A94EAZS	4"	1.523	320	4.350"	3.961"	.150"



Split Duct Suggested Installation Instructions

1. Position one 10' section beneath the cable.
2. Cut another section in half, align with end of 10' section over the cable and snap into place.
3. Apply strap approximately 1' from each end of the 5' section.
4. Butt another 10' section tightly to the end of the 5' section over the cable, snap the sections together and apply a length of tape around both sections covering the butted joint.
5. Apply another strap approximately 1' beyond the taped joint.
6. Butt another 10' section tightly to the end of the 10' section under the cable. Tape the joint and apply a strap approximately 1' on both sides of the joint.
7. Repeat procedure for length of project.

Enviro-Flex® Liquidtight Conduit

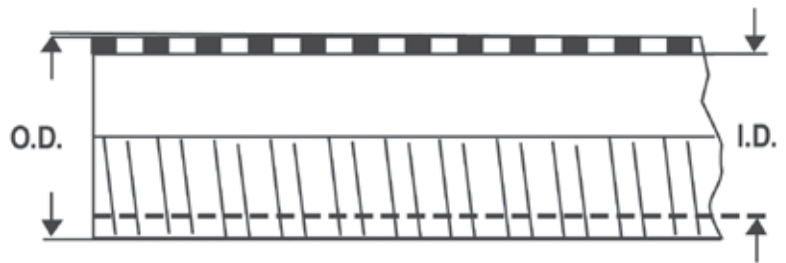


Part No.	Size	Feet per Coil	O.D. (Nom)		I.D. (Nom)		Approx. Wt/Ft
			Min.	Max.	Min.	Max.	
V06ADA1	3/8	100	.690	.710	.484	.504	.128
V06AEA1	1/2	100	.820	.840	.622	.642	.136
V06AGA1	3/4	100	1.030	1.050	.820	.840	.165
V06BAA1	1	100	1.290	1.315	1.041	1.066	.259
V06BCN1	1-1/4	50	1.630	1.660	1.380	1.410	.339
V06BEN1	1-1/2	50	1.865	1.900	1.575	1.60	.446
V06CAN1	2	50	2.340	2.375	2.020	2.045	.617

Dimensions are nominal

Enviro-Flex® gives complete environmental protection for exposed cable installations.

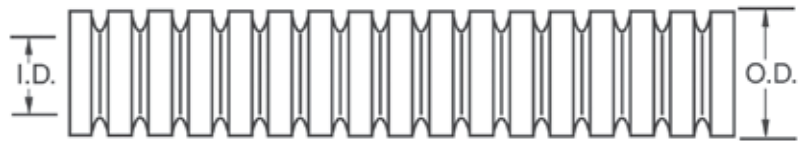
- Ideal for use with control and motor applications, machinery tools, console wire, transformer connections, and air conditioning and heating systems
- Cost less to install
- Conforms to NEC Article 356 and UL 1660
- Waterproof, non-conductive, self-extinguishing, and crush resistant
- Acid, oil, and corrosion resistant
- UL and CSA listed
- Made in USA



UT-Flex® P&C Flexible Utility Duct



UT-Flex® P&C Corrugated Flexible Utility Conduit Reels are designed specifically for power and communications applications, offering exceptional flexibility and fast and easy handling and installation.



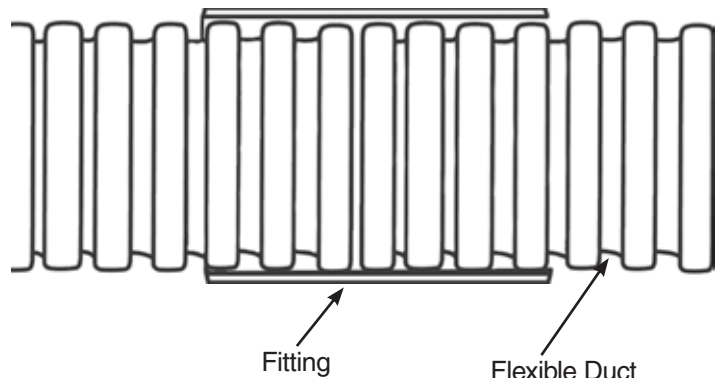
- Can be used in underground or aboveground applications
- Non-conductive, corrosion and sunlight resistant
- Corrugated design allows for hand bending
- Meets NEMA TC-12 Standards
- For Non-UL applications
- Uses standard schedule 40 fittings
- Made in USA

Part No.	Size	O.D. (Nom)	I.D. (Nom)	Feet per Spool
A90CAG1	2	2.375	2.045	250
A90CEG1	2-1/2	2.875	2.469	250
A90DAG1	3	3.500	3.068	250
A90EAG1	4	4.500	4.026	250

Dimensions are nominal

INSTALLATION INSTRUCTIONS

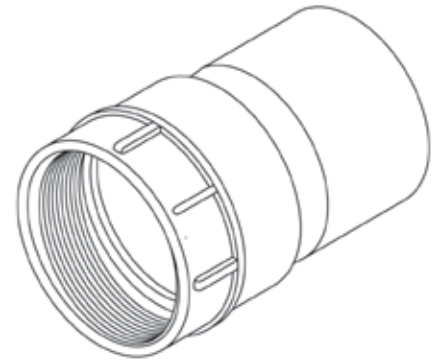
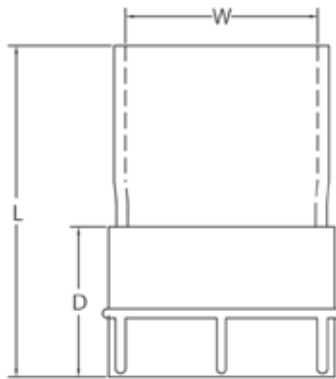
1. Clean both ends of duct to be joined.
2. Trim ends square to ensure a secure joint.
3. Using ENT standard solvent cement, apply a full, even coat of cement to outside of flexible duct to the depth of fitting to be joined to the duct.
4. Apply a light coat of cement to the inside of the fitting.
5. Slide fitting over the end of the duct twisting slightly to be sure fittings are fully seated.



Telephone Duct Adapter - Adapts 4" Threaded Metal Pipe to 4" Telephone Duct

Part No.	Size	Approx. Wt.	Carton Qty.	"D"	"L"	"W"
5164037S	3-1/2"x 4	.800	10	4.375	8.800	4.343

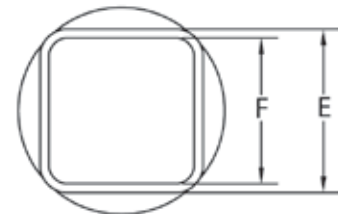
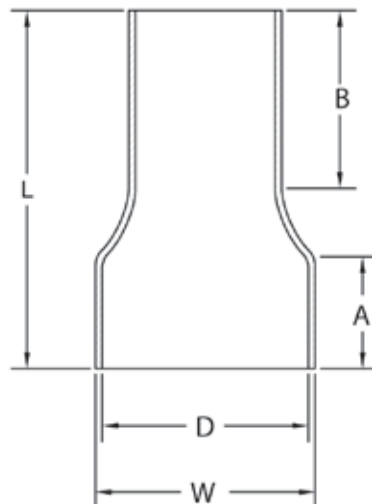
Dimensions are nominal



Telephone Duct Adapter - Adapts 4" Telephone Duct to Square Clay Tile

Part No.	Size	Approx. Wt.	Carton Qty.	"L"	"W"	"A"	"B"	"D"	"E" (Min.)	"F" (Max.)
5164036	3-1/4 x 4	.800	24	8.000	4.938	2.500	4.000	4.375	3.380	3.00
5164037	3-1/2 x 4	.800	10	8.000	4.938	2.500	4.000	4.375	3.650	3.250

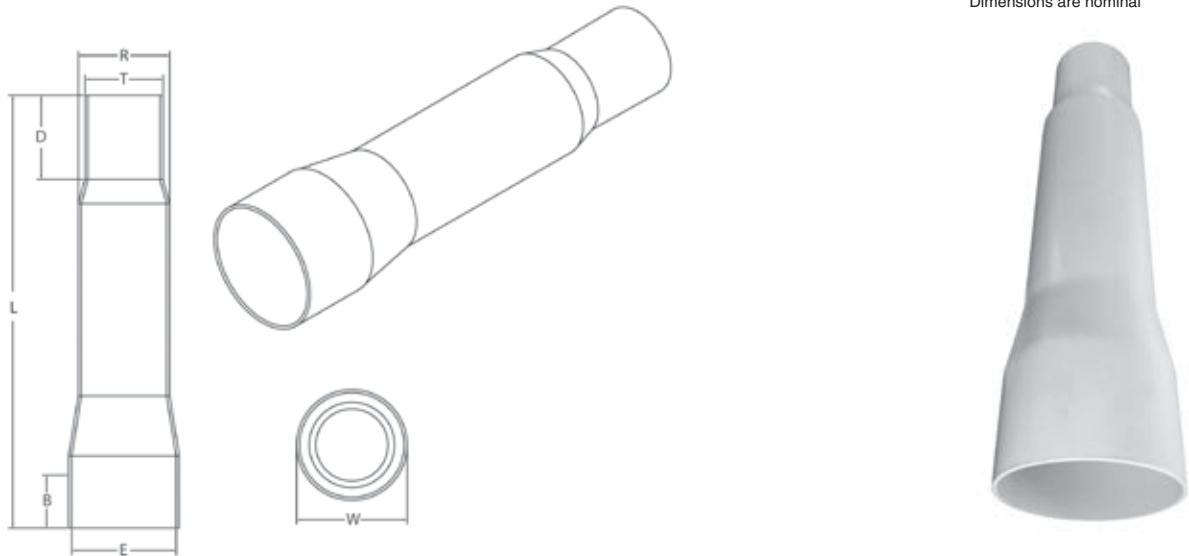
Dimensions are nominal



Telephone Duct Adapter - Adapts 4" Telephone Duct to 3-1/4" Round Clay Tile

Part No.	Size	Approx. Wt.	Carton Qty.	"W"	"L"	"B"	"D"	"E"	"R"	"T"
5164031S	4 x 3-1/4 x 18	.800	20	4.625	18.000	2.188	3.500	4.375	3.813	3.250

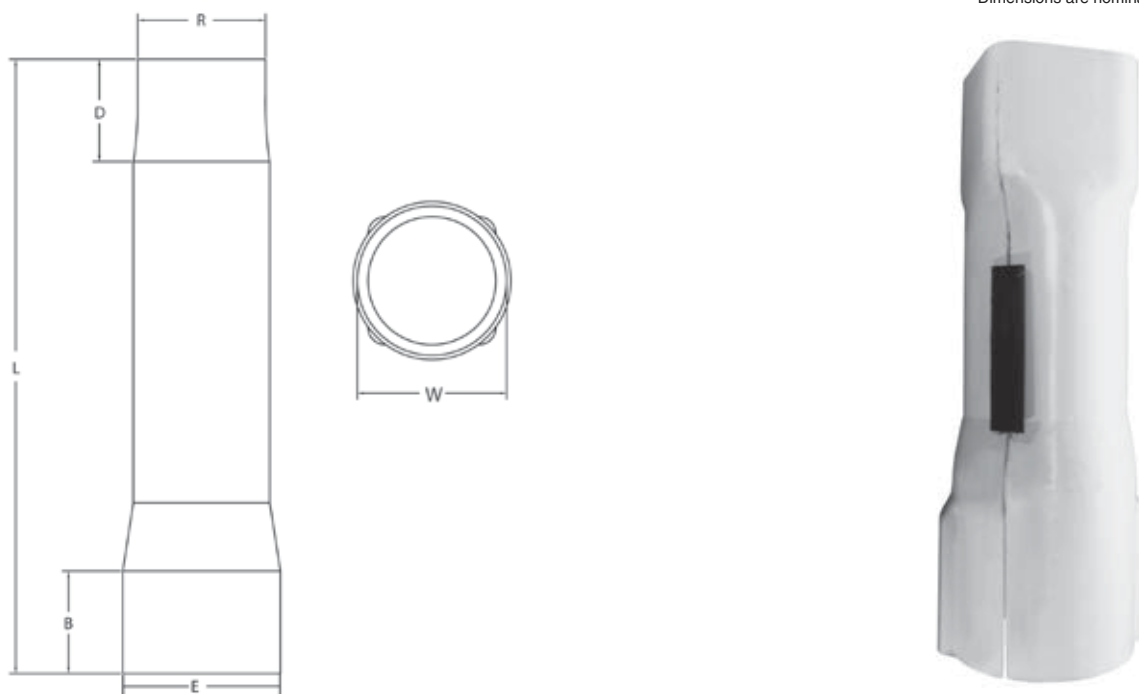
Dimensions are nominal



Telephone Duct Adapter - Adapts 4" Telephone Duct to Split 3-1/2" Square Clay Tile

Part No.	Size	Approx. Wt.	Carton Qty.	"W"	"L"	"B"	"D"	"E"	"R"
5164029S	4 x 3-1/2 x 18	.800	8	4.375	18.000	3.000	3.000	4.375	3.750

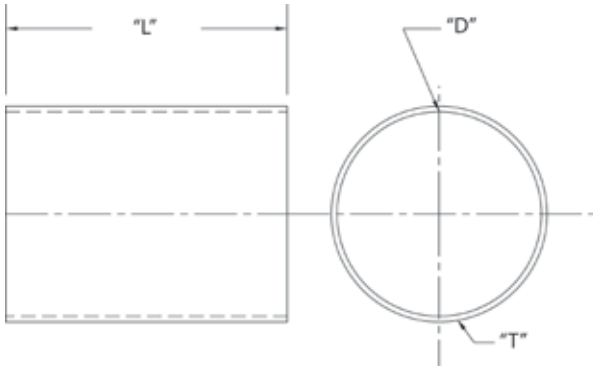
Dimensions are nominal



CAO Coupling (Gray) No Center Stop - Fabricated

Part No.	Size	Approx. Wt.	Carton Qty.	"L"	"D"	"T"
6161652	4	.825	50	6.000	4.350	.090

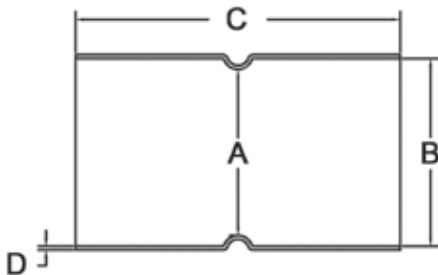
Dimensions are nominal



CAO Coupling with Center Stop - Fabricated

Part No.	Size	Approx. Wt.	Carton Qty.	"A"	"B"	"C"	"D"
6161632	4	.825	50	3.850	4.350	7.500	.090

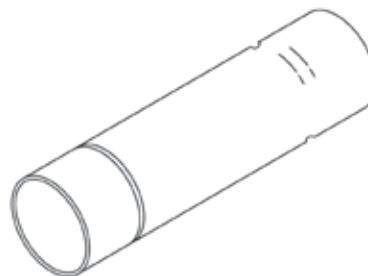
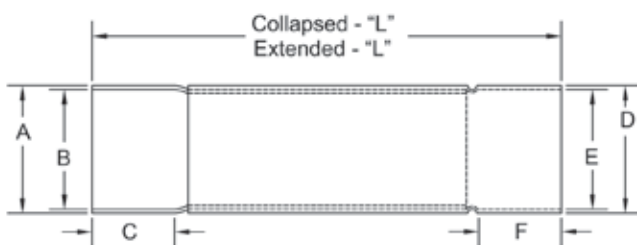
Dimensions are nominal



CAO Expansion Coupling for use with Type D Duct

Part No.	Size	Approx. Wt.	Carton Qty.	Collapsed "L"	Extended "L"	"A"	"B"	"C"	"D"	"E"	"F"
6161634	4	.835	25	17.10	25.10	4.64	4.36	3.00	4.64	4.36	3.00

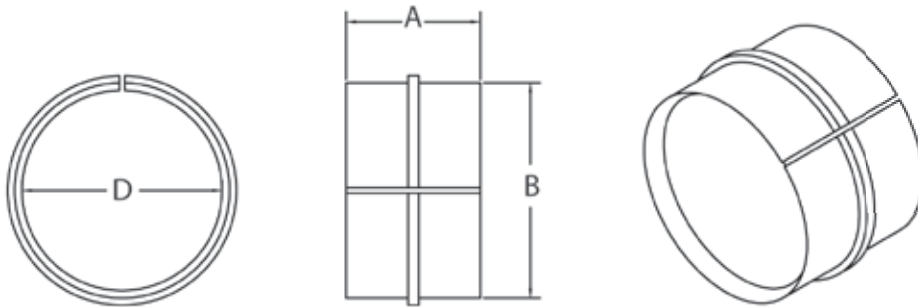
Dimensions are nominal



CAO Internal Coupling

Part No.	Size	Approx. Wt.	Carton Qty.	"A"	"B"	"D"
6161633	4	2.000	1	2.5000	4.000	3.750

Dimensions are nominal



Wye Branch Adapter

Part No.	Size	Approx. Wt.	Carton Qty.
5163556S	4	4.000	12

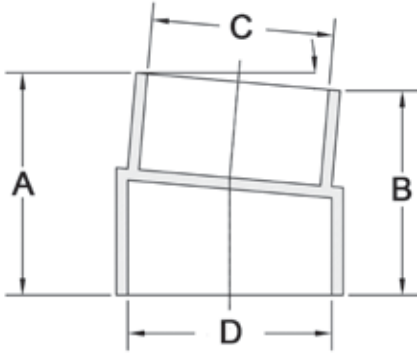
For Lateral Connections



CAO 5° Coupling - Bell to Spigot

Part Number	Size	Carton Qty.	"A"	"B"	"C"	"D"
6161642	2	15	7.000	6.750	4.350	4.380

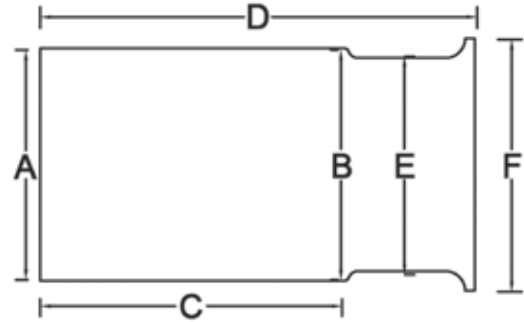
Dimensions are nominal



CAO End Bell

Part Number	Size	Carton Qty.	"A"	"B"	"C"	"D"	"E"	"F"
5164015	4 x 6	50	4.380	4.355	3.125	6.000	4.350	5.100

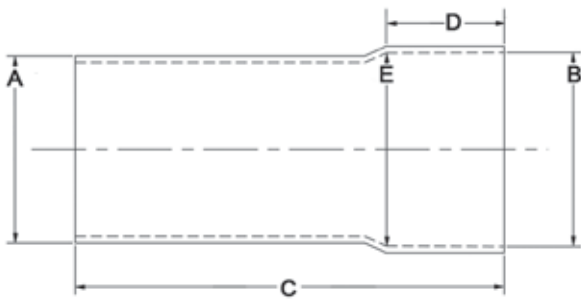
Dimensions are nominal



IPS Bell to CAO Spigot Adapter

Part Number	Size	Carton Qty.	"A"	"B"	"C"	"D"	"E"
5163552	4.5 to 4.35	10	4.350	4.515	10.000	2.750	4.491

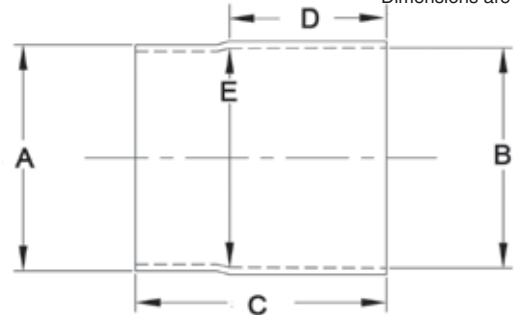
Dimensions are nominal



IPS Spigot to CAO Bell Adapter

Part Number	Size	Carton Qty.	"A"	"B"	"C"	"D"	"E"
5163551	4.5 to 4.35	10	4.500	4.380	5.000	3.125	4.355

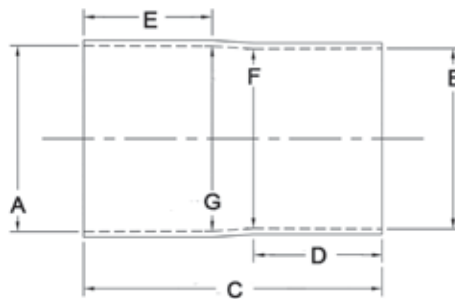
Dimensions are nominal



IPS Bell to CAO Bell Adapter

Part Number	Size	Carton Qty.	"A"	"B"	"C"	"D"	"E"	"F"
5163550	4.5 to 4.35	50	4.500	4.380	7.250	3.125	3.125	4.355

Dimensions are nominal

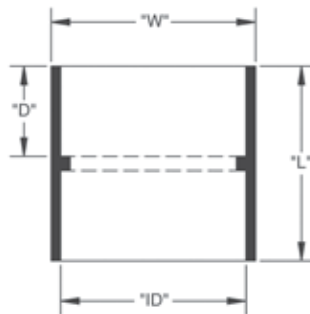


Standard UL Schedule 40 Center Stop Coupling



Schedule 40 Standard Center Stop Couplings are used to join lengths of conduit pipe together with two solvent weld socket ends.

- For use with Schedule 40 and Schedule 80 conduit
- Center stop to help determine proper depth of connection
- For use aboveground and underground and non-conductive and sunlight resistant
- Meets NEMA TC-3 Standards
- UL and CSA listed
- Made in USA



Part Number	Trade Size	Carton Qty.	"W"	"L"	"ID"	"D"
6141623	1/2	200	1.063	1.500	.875	.625
6141624	3/4	125	1.313	1.563	1.063	.625
6141625	1	70	1.625	2.000	1.313	1.000
6141626	1-1/4	40	2.000	2.125	1.688	1.000
6141627	1-1/2	30	2.250	2.375	1.938	1.063
6141628	2	40	2.688	2.600	2.375	1.192
6141629	2-1/2	20	3.250	3.500	2.875	1.750
6141630	3	40	4.000	3.875	3.500	1.188
6141631	3-1/2	30	4.1250	4.000	4.000	1.938
6141632	4	20	5.000	4.188	4.500	2.000
6141633	5	10	6.125	5.375	5.625	2.500
6141634	6	8	7.250	6.375	6.625	3.000
* 6141635D	8	1	9.313	13.000	8.625	5.000

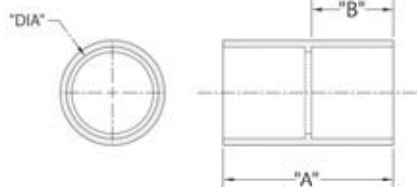
* Not UL Listed

Dimensions are nominal

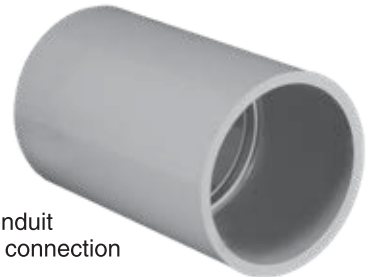
Schedule 40 Longline Coupling with Center Stop - Molded

Part Number	Trade Size	Carton Qty.	"DIA"	"A"	"B"
6202000	2	20	2.375	4.188	2.000
6202005	3	25	3.500	6.500	3.250
6202010	4	15	4.500	7.000	3.500

Dimensions are nominal



Schedule 40 Long Line Center Stop Couplings are used to repair or join lengths of conduit/ pipe together with two solvent weld socket ends.



- For use with Schedule 40 and Schedule 80 conduit
- Center stop to help determine proper depth of connection
- For use aboveground and underground
- Non-conductive and sunlight resistant
- Meets NEMA TC-3 Standards
- Made in USA
- Made of rigid PVC

Schedule 40 Longline Swedged Coupling with Center Stop - Fabricated

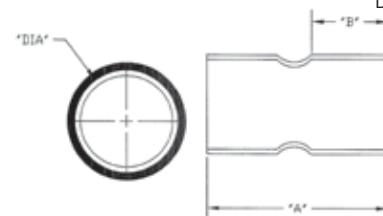


Schedule 40 Longline Center Stop Couplings are used to repair or join lengths of conduit/ pipe together with two solvent weld socket ends.

- For use with Schedule 40 and Schedule 80 conduit
- Center stop to help determine proper depth of connection
- For use aboveground and underground
- Non-conductive and sunlight resistant
- Meets NEMA TC-3 Standards
- Made in USA
- Made of rigid PVC

Part Number	Trade Size	Carton Qty.	"DIA"	"A"	"B"
6202002	2-1/2	25	2.875	6.313	2.750
6202015	5	8	5.563	8.313	3.625
6202016	6	4	6.625	9.000	3.500

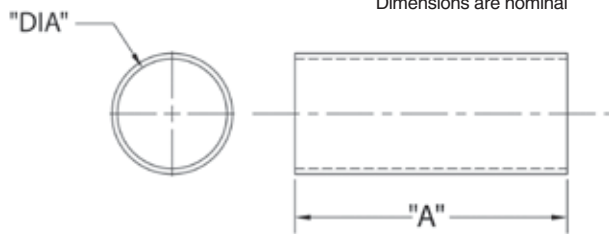
Dimensions are nominal



Schedule 40 Longline Coupling with No Center Stop - Fabricated

Part Number	Trade Size	Carton Qty.	"DIA"	"A"
6141702	1	20	1.313	4.500
6141703	1-1/2	20	1.875	4.875
6203000	2	20	2.375	6.125
6203002	2-1/2	20	2.875	6.000
6203005	3	25	3.563	6.750
6203006	3-1/2	25	4.000	6.375
6203007	4	15	4.500	6.375
6203009	5	8	5.688	8.750
6203010	6	4	6.688	9.750

Schedule 40 Long Line Couplings with No Center Stops are used to repair or join lengths of conduit pipe together with two solvent weld socket ends.



- For use with Schedule 40 and Schedule 80 conduit
- No Center Stop for easy repair of broken or damaged conduit
- For use aboveground and underground
- Non-conductive and sunlight resistant
- Meets NEMA TC-3 Standards
- Made in USA
- Made of rigid PVC

End Cap

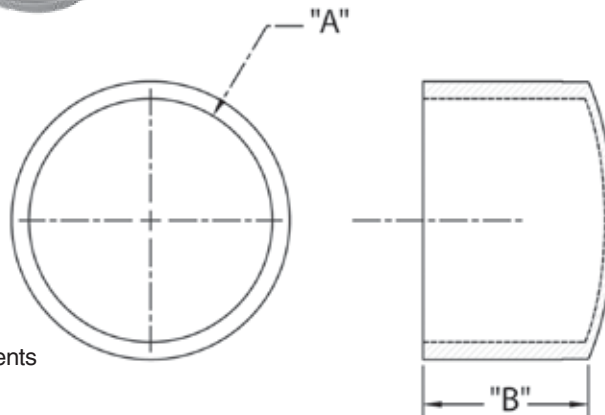


End Caps are designed to cap off PVC conduit either temporarily or permanently using PVC solvent cement.

- Suitable for indoor or outdoor use
- Durable non-conductive PVC will not rust or corrode
- For use with Schedule 40 & 80 and EB & DB applications
- UL and CSA listed
- Made in USA

Part Number	Trade Size	Carton Qty.	"A"	"B"
5140031	1/2	100	.875	.875
5140032	3/4	100	1.063	1.063
5140033	1	50	1.375	1.250
5140034	1-1/4	25	1.688	1.313
5140035	1-1/2	25	1.938	1.563
5140037	2	50	2.375	1.625
5140038	2-1/2	25	2.875	2.000
5140039	3	25	3.563	2.375
5140036	3-1/2	25	4.000	2.313
5140040	4	25	4.500	2.375
5140041	5	25	5.563	2.500
5140042	6	10	6.625	3.000

Dimensions are nominal

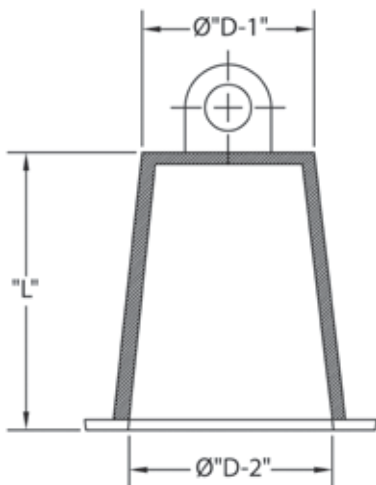


Meets NEMA TC3 Requirements
Made of Rigid PVC

Poly Plug with Pulling Eye

Part Number	Trade Size	Carton Qty.	"L"	"D-1"	"D-2"
5315258	2	70	3.000	2.000	2.500
5315259	2 1/2	70	3.000	2.125	2.750
5315260	3	45	3.750	2.875	3.500
5315262	4	80	3.875	3.750	4.500
5315263	5	45	3.750	4.875	5.625
5315264	6	35	3.875	5.625	6.875

Dimensions are nominal



Poly Plugs with Pulling Eyes are designed for the temporary sealing of conduit to protect the duct from the effects of weather, job site debris, and animal damage. The molded pull-eye is used to secure excess pulling rope within conduit.

- Tapered for easy installation and removal
- For use with Schedule 40 & 80 and EB & DB applications
- Ribbed side walls for tight secure fit
- Made from Polyurethane material

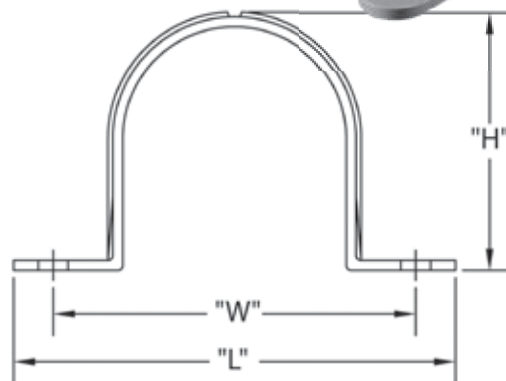
Conduit Clamps (Pipe Straps)

Part Number	Trade Size	Carton Qty.	"W"	"L"	"H"
*5133736	1/2	300	1.688	2.188	1.000
*5133737	3/4	200	2.000	2.500	1.250
*5133738	1	200	2.250	2.813	1.500
*5133733	1-1/4	200	2.500	3.125	1.813
*5133734	1-1/2	200	2.688	3.375	2.125
*5133735	2	200	3.313	4.000	2.563
**5133739	2-1/2	100	4.563	5.500	3.000
**5133740	3	100	5.125	6.000	3.563
**5133353	4	100	6.000	7.000	4.625

Dimensions are nominal

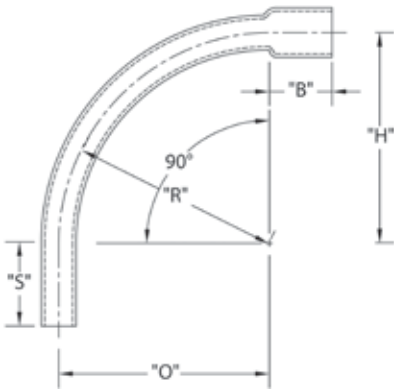
A u-shaped conduit support device used to anchor conduit to interior or exterior surfaces. Two holes in the feet of the clamp allow mounting with screws or nails.

- Durable non-conductive PVC will not rust or corrode
- For use with Schedule 40 & 80 conduit
- UL and CSA listed
- Made in USA



*Requires two #10 screws for installation (not included).
 **Requires two #14 screws for installation (not included).

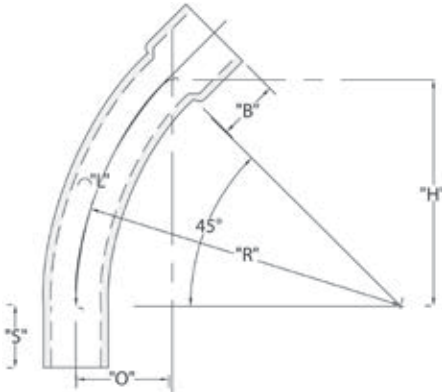
CAO 90° Special Radius Elbows - Bell End



Part Number	Trade Size	"R"	"O"	"H"	"S" MIN	"B" MIN	"L"
5163856	4	24.000	24.000	24.000	6.000	6.000	37.688
5163850	4	36.000	36.000	36.000	6.000	6.000	56.500
5163859	4	48.000	48.000	48.000	6.000	6.000	75.375
5163853	4	60.000	60.000	60.000	6.000	6.000	94.250
5163857	4	150.000	150.000	150.000	6.000	6.000	235.625

Dimensions are nominal

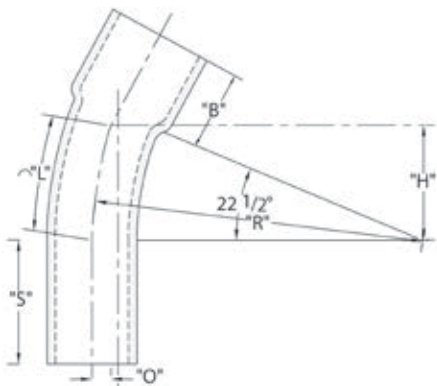
CAO 45° Special Radius Elbows - Bell End



Part Number	Trade Size	"R"	"O"	"H"	"S" MIN	"B" MIN	"L"
5163748	4	24.000	7.000	17.000	6.000	6.000	18.850
5163750	4	36.000	10.500	25.438	6.000	6.000	28.270
5163753	4	48.000	14.000	33.313	6.000	6.000	37.700
5163763	4	60.000	17.563	42.375	6.000	6.000	47.120
5163758	4	150.000	52.750	127.250	6.000	6.000	117.810

Dimensions are nominal

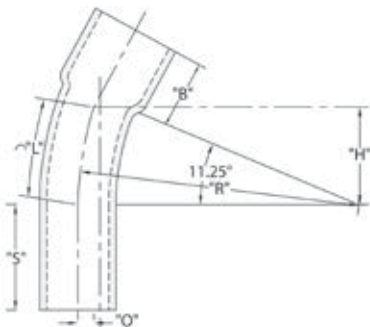
CAO 22-1/2° Special Radius Elbows - Bell End



Part Number	Trade Size	"R"	"O"	"H"	"S" MIN	"B" MIN	"L"
5163638	4	24.000	3.188	12.000	3.375	3.250	9.420
5163630	4	36.000	4.813	18.000	3.375	3.250	14.140
5163631	4	48.000	6.438	24.000	3.375	3.250	18.850
5163627	4	60.000	4.563	23.000	3.375	3.250	23.563
5163644	4	300.000	4.000	114.500	3.375	3.250	117.81

Dimensions are nominal

CAO 11-1/4° Special Radius Elbows - Bell End



Part Number	Trade Size	"R"	"O"	"H"	"S" MIN	"B" MIN	"L"
5163616	4	24.000	.469	4.688	3.375	3.250	4.719
5163620	4	36.000	.688	7.000	3.375	3.250	7.063
5163615	4	48.000	.938	9.375	3.375	3.250	9.438

Dimensions are nominal

CANTEX PVC cements and primers are for use on rigid PVC Electrical conduit and fittings. We recommend the use of CANTEX PVC cements and primers with CANTEX PVC products because they are especially formulated for use with our products.

DO NOT USE FOR WATER, SEWER OR DWV INSTALLATIONS.

Low Voc Conduit Cement No. 99



Part Number	Size	Carton Qty.
7210601	1/2 Pint	24
7210602	Pint	12
7210603	Quart	12

Low Voc Conduit Cement No. 99 - Gray



Part Number	Size	Carton Qty.
7210501	1/2 Pint	24
7210502	Pint	12
7210503	Quart	12

Low Voc Conduit All Weather Cement



Part Number	Size	Carton Qty.
7210411	1/2 Pint	24
7210412	Pint	12
7210413	Quart	12

Operating temperature range is -15°F to 110°F.

Conduit Primer No. 10



Part Number	Size	Carton Qty.
7211301	1/2 Pint	24
7211302	Pint	12
7211303	Quart	12

Operating temperature range is 50°F to 100°F.

ESTIMATED SOLVENT REQUIREMENT PER 1,000 FEET IN QUARTS One weld per 20 feet

Pipe Size	1/2"	3/4"	1"	1-1/4"	1-1/2"	2"	2-1/2"	3"	4"	5"	6"
Cement	1/2	1/2	1/2	1	1	1	1-1/2	1-1/2	2	2-1/2	4
Primer	1/2	1/2	1/2	1	1	1	1-1/2	1-1/2	2	2-1/2	4

ENT NO. 50 Low Voc Cement Solvent Cement for EZ-FLEX ENT

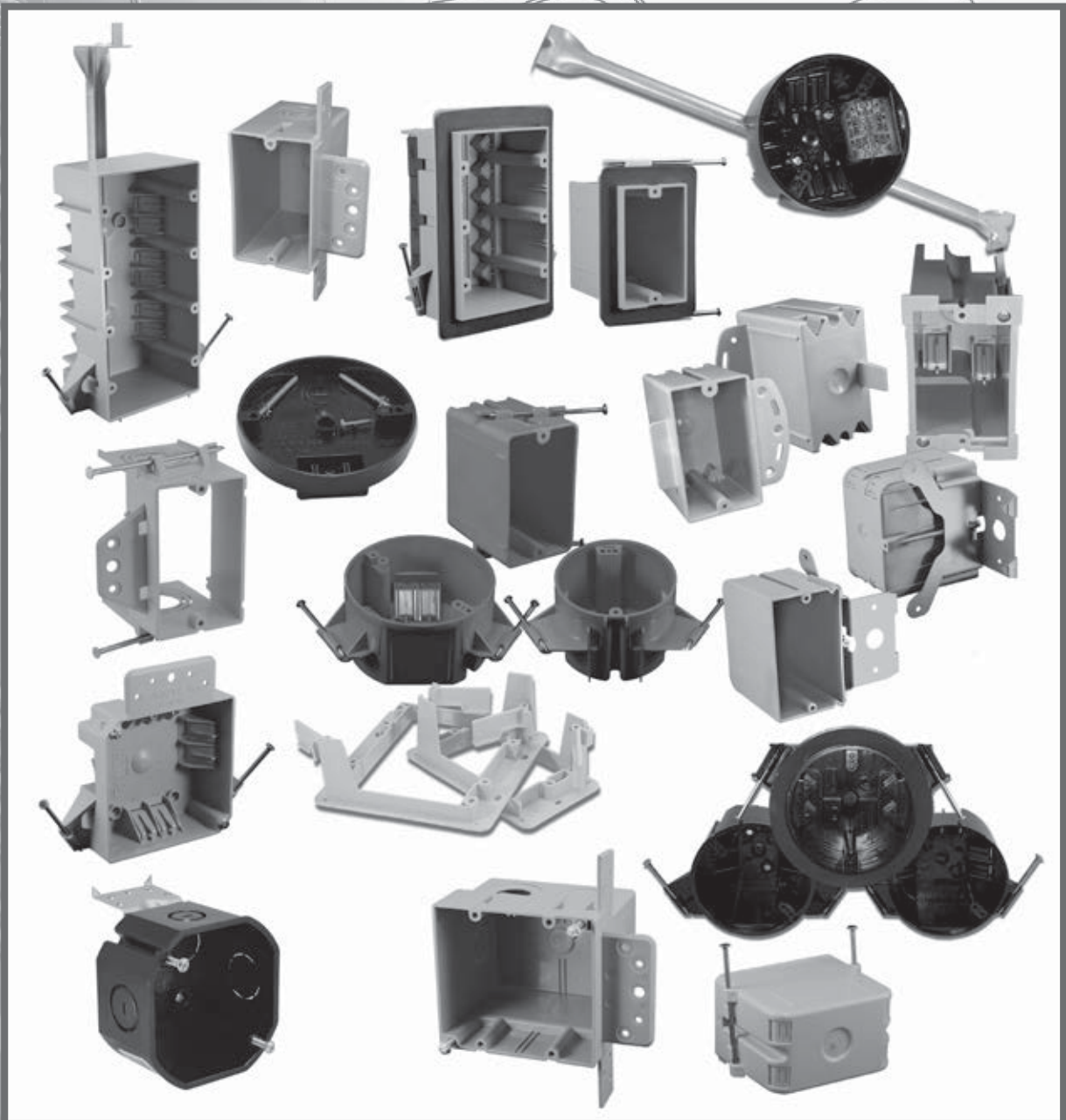


Part Number	Size	Carton Qty.
7210402	Pint	12
7210403	Quart	12

CANTEX

EZ BOX[®]

PVC Electrical Switch, Outlet & Ceiling Boxes



Introduction to the EZ BOX® Line

The CANTEX EZ BOX® line offers a complete selection of non-metallic electrical switch, outlet and ceiling boxes in multiple sizes and styles to meet all your new construction and renovation project needs. Whether you need EZ nail-on, single-gang boxes with enhanced angled nails for installation between studs or adjustable EZ BOXES with adjustable brackets for the perfect fit on tile backsplashes, CANTEX has your solution. EZ BOXES are easy to install, long-wearing, and maintenance-free. CANTEX offers almost 100 styles of EZ BOXES in multiple sizes and gang applications to meet all of your new and old work project needs. You can choose from one of our many wall, ceiling or ceiling fan boxes.

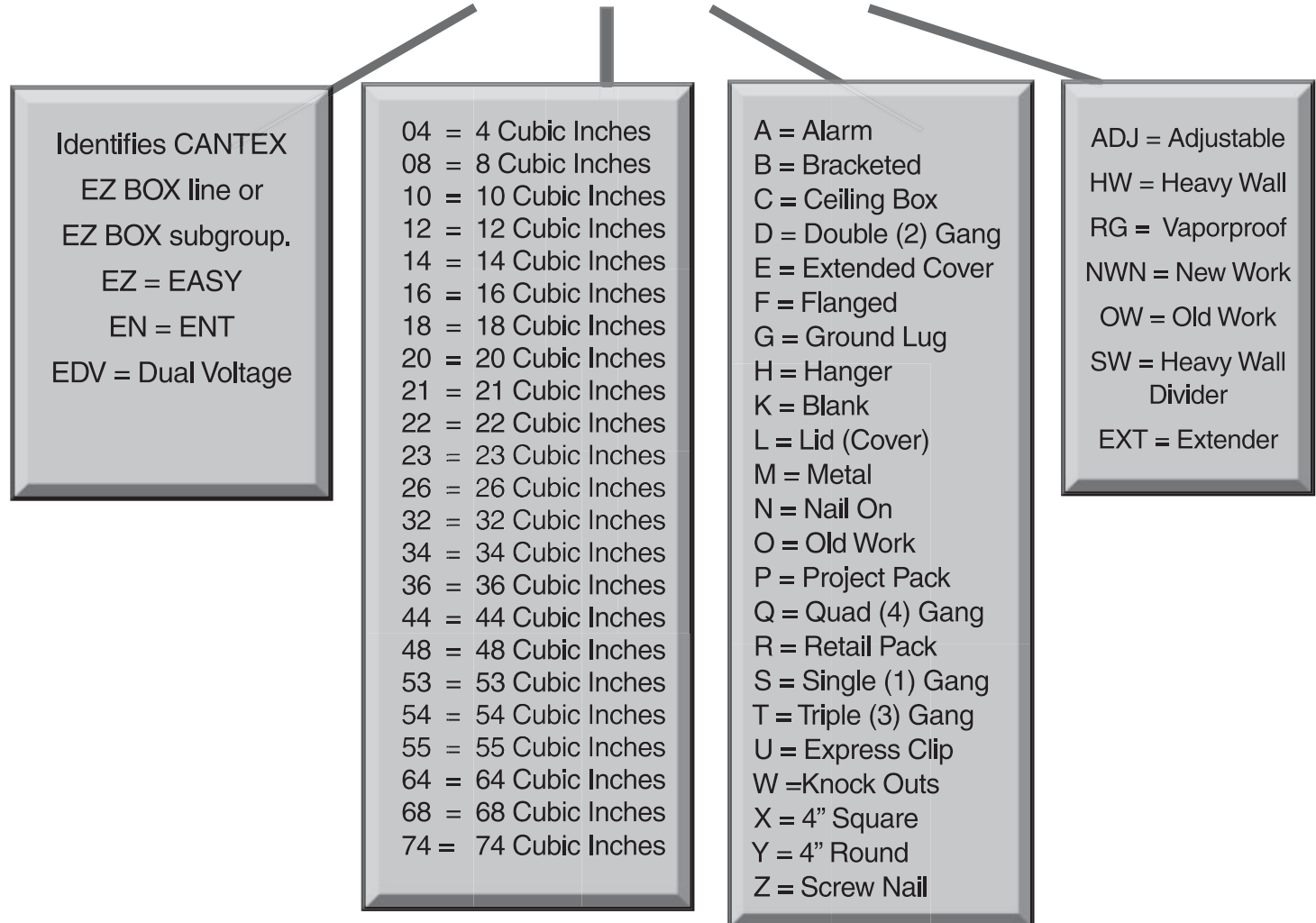
CANTEX EZ BOXES are all either ETL or UL listed for use as in Article 314 of the National Electrical code. They are also 2-hour fire-rated when applicable. Plus, the CANTEX EZ Box line is backed by over 60 years of experience manufacturing unrivaled American-made electrical products. The EZ BOX line is also supported by our long history of providing great service and fast, dependable delivery.



EZ BOX® Line Part Number Legend

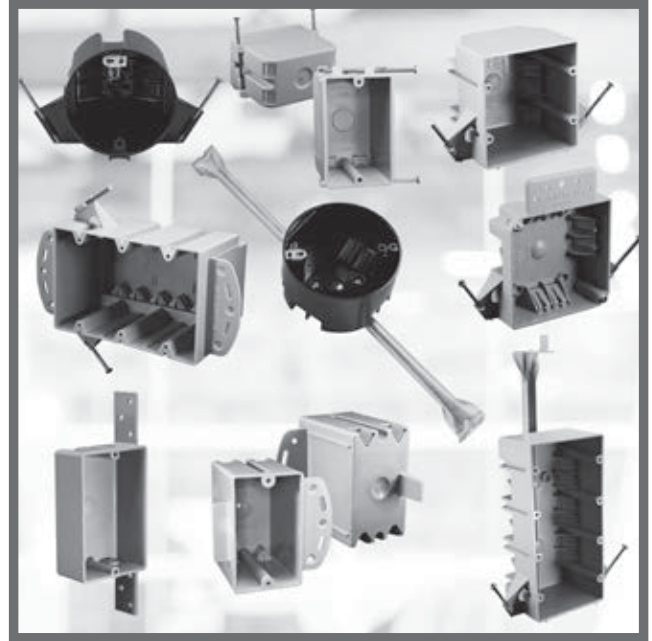
EZ BOX PRODUCT #:

EZ 34 DO - HW



CANTEX NEW WORK EZ BOXES®

Our new work (new construction) switch, outlet and ceiling boxes are perfect for residential and light commercial use. They are carefully engineered to make new work installations EZ and cost effective. Our huge selection of non-metallic electrical new work EZ BOXES offers the versatility needed to meet all new work project specifications with maintenance free, EZ to install electrical, switch, outlet, ceiling and ceiling fan boxes. Our new work EZ BOXES feature EZ Installation options like enhanced angled nails for fast mounting between studs and brackets for your more specific application needs.



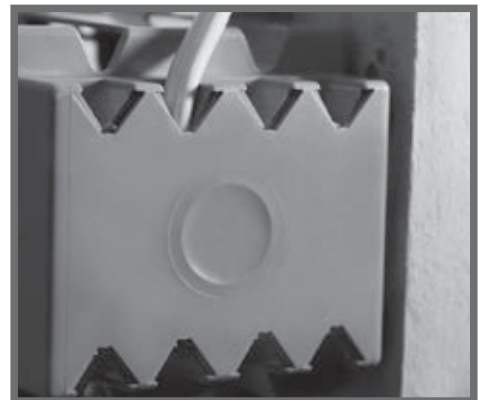
EZ Installation Options



EZ Wiring Options



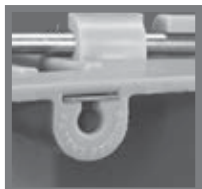
Some of our new work EZ BOXES come with different EZ wiring options like traditional clamps, v-clamps, and knockouts.



Time & Cost Saving Solutions

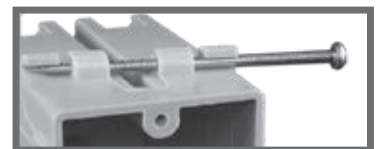
Express Clip®

Cost-saving options like our Express Clip® cut down on labor time and cost. Just align a switch or outlet device with the mounting hole, push the device's screw into the Express Clip® and one half turn of the screw completes an EZ and secure installation.



Screw-nail

The screw-nail option features a sharp point, slotted head, threaded body screw-nail for easy installation using a power screwdriver without having to pre-drill.



EZ BOX® New Work, Nail-on, Switch and Outlet Box with Knockouts



18 Cubic Inch

Part Number	Carton Quantity	Height	Width	Depth
EZ18SNW	100	3.700	2.250	2.875

Dimensions are nominal

EZ18SNW, EZ20SNW & EZ23SNW are 1-gang, electrical switch and outlet boxes for residential or light commercial electrical installations with 4 knockouts for EZ wiring and enhanced angled nails for EZ more secure mounting between studs.



2 hour fire-rated

- Designed to work with most standard 1-gang devices and switches
- Attached nails for mounting included
- Engineered for easy, cost saving installation and constructed with resilient PVC for durability
- ETL Listed, ETL 2 Hour Fire-rated
- Made in USA



Four knockouts

20.8 Cubic Inch

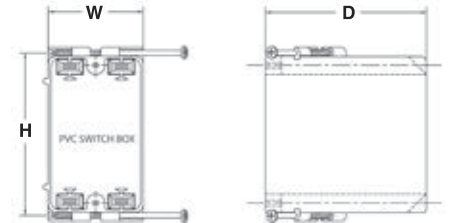
Part Number	Carton Quantity	Height	Width	Depth
EZ20SNW	100	3.700	2.250	3.125

Dimensions are nominal

23 Cubic Inch

Part Number	Carton Quantity	Height	Width	Depth
EZ23SNW	100	3.700	2.250	3.500

Dimensions are nominal



EZ BOX® New Work Switch and Outlet Box with Screw-Nails



18 Cubic Inch

Part Number	Carton Quantity	Height	Width	Depth
EZ18SNWZ	100	3.700	2.250	2.875

Dimensions are nominal

EZ18SNWZ, EZ20SNWZ & EZ23SNWZ are 1-gang electrical switch and outlet boxes for residential or light commercial electrical installations. They feature knockouts and screw-nails for use on aluminum, light to medium grade steel or wood studs. The sharp point, slotted head and threaded body allow for EZ installation with a power screwdriver without pre-drilling.



2 hour fire-rated

- Can also be installed on wood studs using a hammer
- Designed to work with most standard 1-gang devices and switches
- Attached screw-nails for mounting included
- Engineered for easy, cost saving installation and constructed with resilient PVC for durability
- ETL Listed, ETL 2 Hour Fire-rated
- Made in USA

20.8 Cubic Inch

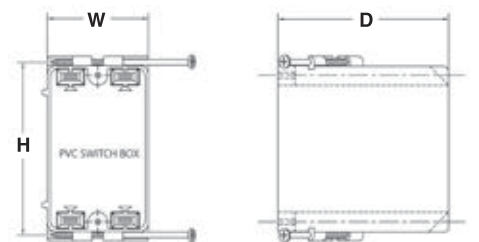
Part Number	Carton Quantity	Height	Width	Depth
EZ20SNWZ	100	3.700	2.250	3.125

Dimensions are nominal

23 Cubic Inch

Part Number	Carton Quantity	Height	Width	Depth
EZ23SNWZ	100	3.700	2.250	3.500

Dimensions are nominal



EZ BOX® New Work, Nail-on Switch and Outlet Box with Express Clip



18 Cubic Inch

Part Number	Carton Quantity	Height	Width	Depth
EZ18SNU	100	3.700	2.250	2.875

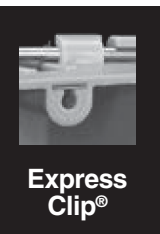
Dimensions are nominal

EZ18SNU, EZ20SNU & EZ23SNU are 1-gang electrical switch and outlet boxes for residential or light commercial electrical installations. They feature knockouts, enhanced angled nails and an Express Clip® that allows for EZ installation of electrical devices. Just align the device with the mounting holes, push screw into the Express Clip® and turn for quick secure installation.



2 hour fire-rated

- Enhanced angled nails for quick mounting between studs
- Designed to work with most standard 1-gang devices and switches
- Attached nails for mounting included
- Engineered for easy, cost saving installation and constructed with resilient PVC for durability
- ETL Listed, ETL 2 Hour Fire-rated
- Made in USA



Express Clip®

20.8 Cubic Inch

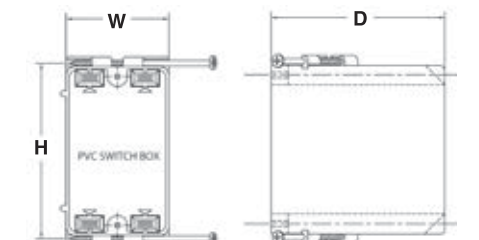
Part Number	Carton Quantity	Height	Width	Depth
EZ20SNU	100	3.700	2.250	3.125

Dimensions are nominal

23 Cubic Inch

Part Number	Carton Quantity	Height	Width	Depth
EZ23SNU	100	3.700	2.250	3.500

Dimensions are nominal



EZ BOX® New Work, 2-Gang, Nail-on, Switch & Outlet Box with Wire Clamps



2 hour fire-rated

8 integral clamps for EZ & secure wiring

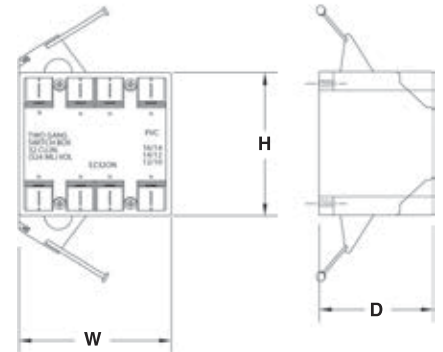
EZ32DN EZ BOX is a 32 cu. in., 2-gang, nail-on, electrical switch and outlet box for residential or light commercial new construction (new work) electrical installations. It features 8 wire clamps and enhanced angled nails for EZ installation.

- Enhanced angled nails for quick mounting between studs
- 8 integral wire clamps to hold wires securely
- Designed to work with most standard 2-gang devices and switches
- Attached nails for mounting included
- Engineered for easy, cost saving installation and constructed with resilient PVC for durability
- ETL Listed, ETL 2 Hour Fire-rated
- Made in USA

32 Cubic Inch

Part Number	Carton Quantity	Height	Width	Depth
EZ32DN	50	3.688	3.938	3.063

Dimensions are nominal



EZ BOX® New Work, 2-Gang, Switch & Outlet Box with Screw Nails and Wire Clamps



2 hour fire-rated

8 integral clamps for EZ & secure wiring

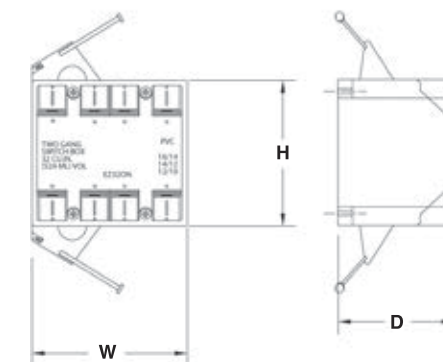
EZ32DNZ EZ BOX is a 32 cu. in., 2-gang, electrical switch and outlet box for residential or light commercial electrical installations. It features screw-nails for use on aluminum, light to medium grade steel or wood studs. The sharp point, slotted head and threaded body allow for easy installation using a power screwdriver without having to pre-drill. It can also be installed on wood studs using a hammer.

- Enhanced angled screw-nails for quick mounting between studs
- No pre-drilling needed for installation
- Designed to work with most standard 2-gang devices and switches
- Attached screw-nails for mounting included
- Engineered for easy, cost saving installation and constructed with resilient PVC for durability
- ETL Listed, ETL 2 Hour Fire-Rated
- Made in USA

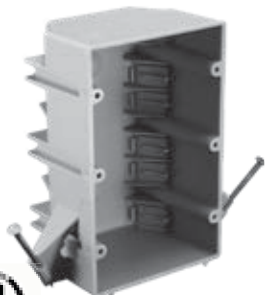
32 Cubic Inch

Part Number	Carton Quantity	Height	Width	Depth
EZ32DNZ	50	3.688	3.938	3.063

Dimensions are nominal



EZ BOX® New Work, 3-Gang, Nail-on Switch and Outlet Box with Wire Clamps



2 hour fire-rated

12 integral clamps for EZ & secure wiring

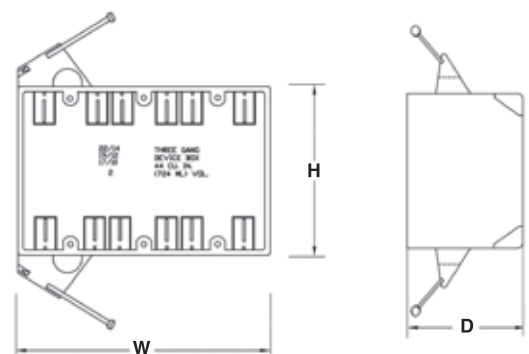
EZ44TN is a 44 cu. in., 3-gang, nail-on, electrical switch and outlet box for residential or light commercial new construction (new work) electrical installations. It features 12 wire clamps and enhanced angled nails for easy installation.

- Enhanced angled nails for quick mounting between studs
- 12 integral wire clamps to hold wires securely
- Designed to work with most standard 3-gang devices and switches
- Attached screw nails for mounting included
- Engineered for easy, cost saving installation and constructed with resilient PVC for durability
- ETL Listed, ETL 2 Hour Fire-Rated
- Made in USA

44 Cubic Inch

Part Number	Carton Quantity	Height	Width	Depth
EZ44TN	50	3.700	5.800	2.750

Dimensions are nominal



EZ BOX® New Work, 3-Gang Switch & Outlet Box with Screw Nails and Wire Clamps



2 hour fire-rated



12 integral clamps for EZ & secure wiring

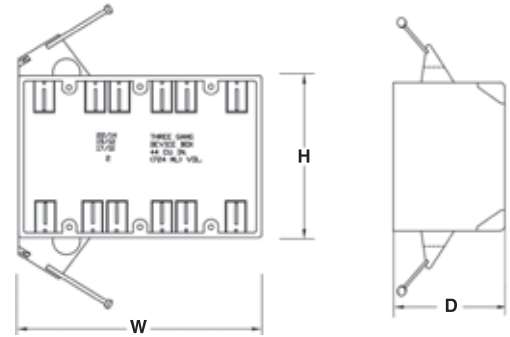
EZ44TNZ is a 44 cu. in., 3-gang electrical switch and outlet box for residential or light commercial electrical installations. It features screw-nails for use on aluminum, light to medium grade steel or wood studs. The sharp point, slotted head and threaded body allow for easy installation using a power screwdriver without having to pre-drill.

- Enhanced angled screw-nails for quick mounting between studs without pre-drilling
- 12 integral wire clamps to hold wires securely
- Can also be installed on wood studs using a hammer
- Attached screw-nails for mounting included
- Engineered for easy, cost saving installation and constructed with resilient PVC for durability
- ETL Listed, ETL 2 Hour Fire-Rated
- Made in USA

44 Cubic Inch

Part Number	Carton Quantity	Height	Width	Depth
EZ44TNZ	50	3.700	5.800	2.750

Dimensions are nominal



EZ BOX® New Work, 4-Gang, Nail-on, Switch & Outlet Box w/ Adjustable Bracket & Wire Clamps



2 hour fire-rated



12 integral clamps for EZ & secure wiring

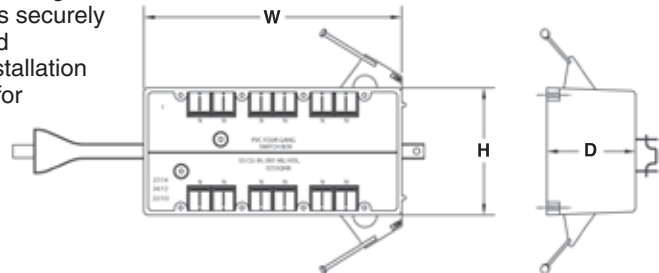
EZ55QNB EZ BOX is a 55 cu. in., 4-gang, nail-on, electrical, switch and outlet box for residential or light commercial new construction (new work) installations. It features an adjustable metal bracket for quick mounting between studs, 12 wire clamps, and enhanced angled nails for EZ installation.

- Enhanced angled nails for quick mounting between studs
- Adjustable metal bracket for quick mounting
- 12 integral wire clamps to hold wires securely
- Attached nails for mounting included
- Engineered for easy, cost saving installation and constructed with resilient PVC for durability
- ETL Listed, ETL 2 Hour Fire-Rated
- Made in USA

55 Cubic Inch

Part Number	Carton Quantity	Height	Width	Depth
EZ55QNB	25	3.712	7.629	2.614

Dimensions are nominal



EZ BOX® New Work, 4-Gang, Switch & Outlet Box w/ Screw Nails & Adjustable Bracket



2 hour fire-rated



12 integral clamps for EZ & secure wiring

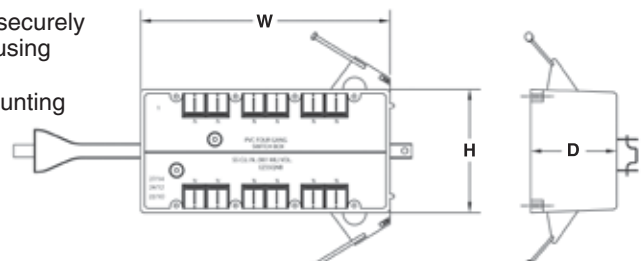
EZ55QNBZ is a 55 cu. in., 4-gang, electrical, switch and outlet box for residential or light commercial new construction (new work) electrical installations. It features an adjustable metal bracket for quick mounting between studs as well as screw-nails for EZ installation on aluminum or light to medium grade steel or wood studs. The screw-nail's sharp point, slotted head and threaded body allow for installation using a power screwdriver without having to pre-drill. EZ55QNBZ can also be hammered into wood studs.

- 12 integral wire clamps to hold wires securely
- Can also be installed on wood studs using a hammer
- Adjustable metal bracket for quick mounting
- Attached screw-nails for mounting included
- ETL Listed, ETL 2 Hour Fire-Rated
- Made in USA

55 Cubic Inch

Part Number	Carton Quantity	Height	Width	Depth
EZ55QNBZ	25	3.712	7.629	2.614

Dimensions are nominal



EZ BOX® 1-Gang Switch & Outlet Boxes with Bracket for Steel or Wood Studs



2 hour fire-rated



Features 4 V-clamps for EZ & secure wiring

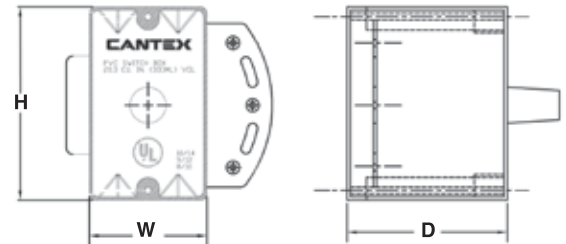
CANTEX EZ20SB EZ BOX is a 20 cu. in., deep, 1-gang, switch and outlet box for residential or light commercial new construction (new work) electrical installations with a molded bracket for steel stud mounting. It also features 4 contractor preferred v-clamps.

- Convenient mounting flange
- Designed to work with most standard 1-gang devices and switches
- Engineered for easy, cost saving installation and constructed with resilient PVC for durability
- ETL Listed, ETL 2 Hour Fire-rated
- Made in USA

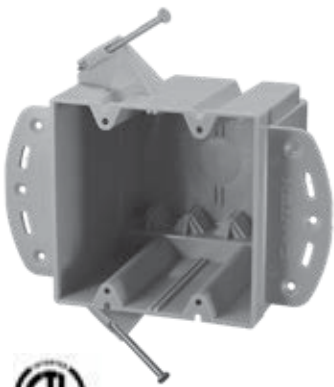
20.3 Cubic Inch

Part Number	Carton Quantity	Height	Width	Depth
EZ20SB	100	3.688	2.250	3.188

Dimensions are nominal



EZ BOX® New Work, 2-Gang Switch & Outlet Boxes with Brackets for Steel or Wood Studs



2 hour fire-rated

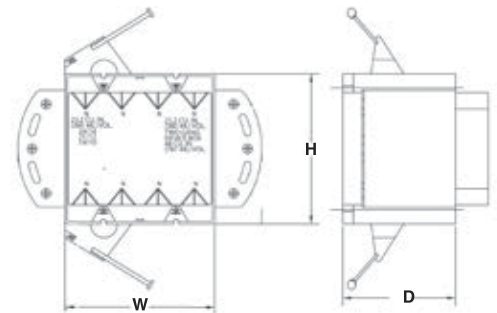
EZ48DN is a 48 cu. in. deep, 2-gang, nail-on, electrical, switch and outlet box for residential or light commercial new construction (new work) electrical installations that also has molded brackets for steel stud mounting. It features 8 wire v-clamps and enhanced angled nails for EZ and more secure installation.

- Convenient mounting flange
- Largest 2-gang box available to provide additional wiring and electrical device capacity
- Dividers available to partition off low/high voltage installation (EZLVD)
- Attached nails included
- Accepts larger wiring devices like dimming switches or motions sensors
- ETL Listed, ETL 2 Hour Fire-rated
- Made in USA

48 Cubic Inch

Part Number	Carton Quantity	Height	Width	Depth
EZ48DN	50	4.000	4.000	4.000

Dimensions are nominal



EZ BOX® New Work, 2-Gang, Switch & Outlet Box w/ Screw Nails & Brackets for Steel Studs



2 hour fire-rated

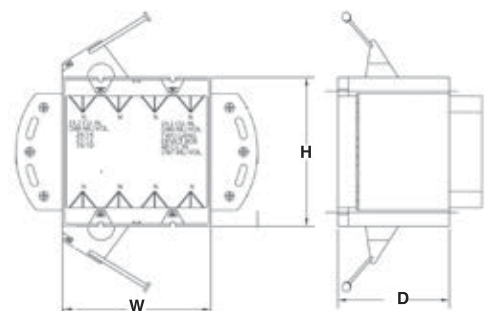
EZ48DNZ is a 48 cu. in., deep, 2-gang, electrical, switch and outlet box for residential or light commercial new construction (new work) installations with molded brackets for steel stud mounting and screw-nails for use on aluminum, light to medium grade steel or wood studs. The sharp point, slotted head and threaded body of the screw-nails allow for easy installation using a power screwdriver with no need to pre-drill. It can also be installed on wood studs using a hammer. It also features 8 wire v-clamps.

- Convenient mounting flange
- Largest 2-gang box available to provide additional wiring and electrical device capacity
- Attached screw-nails included
- Dividers available to partition off low/high voltage installation (EZLVD)
- Accepts larger wiring devices like dimming switches or motions sensors
- ETL Listed, ETL 2 Hour Fire-rated
- Made in USA

48 Cubic Inch

Part Number	Carton Quantity	Height	Width	Depth
EZ48DNZ	50	4.000	4.000	4.000

Dimensions are nominal



EZ BOX® New Work, 2-Gang Switch & Outlet Box with Steel Stud Brackets & Express Clip®



2 hour fire-rated

Express Clip for EZ installation of electrical devices



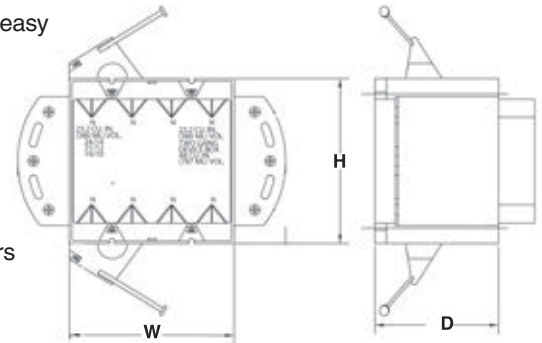
EZ48DNU is a 48 cu. in., deep, 2-gang, nail-on switch and outlet box for residential or light commercial new construction (new work) applications. It features molded brackets for steel stud mounting, v-clamps, and Express Clips® for EZ installation. Express Clips® allow for EZ secure installation of electrical devices. Just align device with mounting holes, push in and turn the screw. It also features 8 contractor preferred wire v-clamps and enhanced angled nails for easy installation.

- Molded brackets for steel stud installation
- Convenient mounting flanges
- Largest 2-gang available for additional wiring & device capacity
- Dividers available to partition off low/high voltage installation (EZLVD)
- Accepts larger wiring devices like motions sensors
- ETL Listed, ETL 2 Hour Fire-rated
- Made in USA

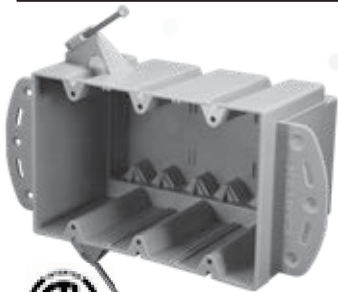
48 Cubic Inch

Part Number	Carton Quantity	Height	Width	Depth
EZ48DNU	50	4.000	4.000	4.000

Dimensions are nominal



EZ BOX® New Work, 3-Gang, Nail-on, Switch & Outlet Box w/ Brackets for Steel or Wood Studs



2 hour fire-rated

Features 12 V-clamps for EZ & secure wiring

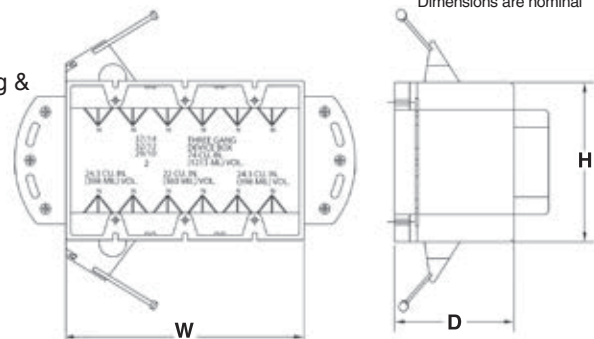
EZ74TN is a 74 cu. in., deep, 3-gang, nail-on switch and outlet box for residential or light commercial new construction (new work) installations with molded brackets for steel or wood stud mounting. It also features 12 contractor preferred wire v-clamps and enhanced angled nails for easy installation.

- Molded brackets for steel stud installation
- Convenient mounting flanges
- Largest 3-gang available for additional wiring & device capacity
- Dividers available to partition off low/high voltage installation (EZLVD)
- Accepts larger wiring devices like dimming switches or motions sensors
- ETL Listed, ETL 2 Hour Fire-rated
- Made in USA

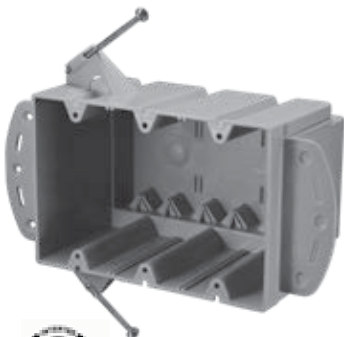
74 Cubic Inch

Part Number	Carton Quantity	Height	Width	Depth
EZ74TN	50	4.000	6.000	3.000

Dimensions are nominal



EZ BOX® New Work, 3-Gang, Switch & Outlet Box with Screw Nails and Steel Stud Brackets



2 hour fire-rated

Features 12 V-clamps for EZ & secure wiring

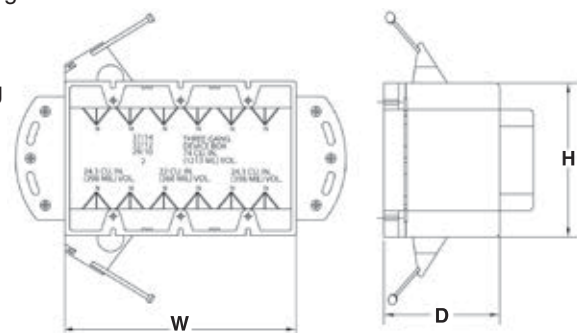
EZ74TNZ is a 74 cu. in., deep, 3-gang switch and outlet box for residential or light commercial new construction (new work) installations with molded brackets for steel stud mounting and screw-nails for EZ installation on aluminum, light to medium grade steel or wood studs. The screw-nail's sharp point, slotted head and threaded body allow for installation with a power screwdriver with no need for pre-drilling.

- Molded brackets for steel stud installation
- Convenient mounting flanges
- Largest 3-gang available for additional wiring & device capacity
- Dividers available to partition off low/high voltage installation (EZLVD)
- Accepts larger wiring devices like dimming switches or motions sensors
- ETL Listed, ETL 2 Hour Fire-rated
- Made in USA

74 Cubic Inch

Part Number	Carton Quantity	Height	Width	Depth
EZ74TNZ	50	4.000	6.000	3.000

Dimensions are nominal



EZ BOX® 3-Gang, Nail-on, Switch & Outlet Box with Brackets, Wire Clamps & Express Clips®



2 hour fire-rated

Express Clip for EZ installation of electrical devices



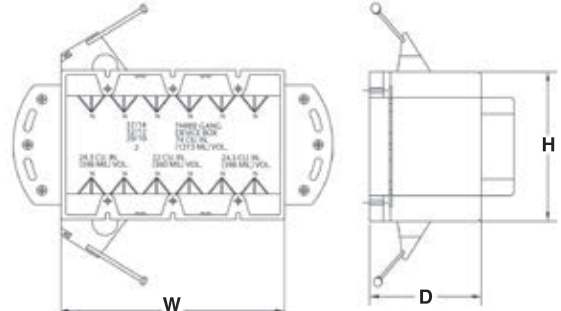
EZ74TNU EZ BOX is a 74 cu. in., deep 3-gang nail-on electrical switch and outlet box for residential or light commercial new construction (new work) electrical installations. It features molded brackets for steel stud mounting along with v-clamps and an Express Clip® for EZ installation. With Express Clip® there is just one tap, turn and screw for quick secure installation of electrical devices.

- Molded brackets for steel stud installation
- Convenient mounting flanges
- Largest 3-gang available for additional wiring & device capacity
- Dividers available to partition off low/high voltage installation (EZLVD)
- Accepts larger wiring devices like dimming switches or motion sensors
- ETL Listed, ETL 2 Hour Fire-rated
- Made in USA

74 Cubic Inch

Part Number	Carton Quantity	Height	Width	Depth
EZ74TNU	50	4.000	6.000	3.000

Dimensions are nominal



EZ BOX® New Work, 3-Gang Switch & Outlet Boxes w/ Brackets, Screw-nails & Express Clips®



2 hour fire-rated

Express Clip for EZ installation of electrical devices



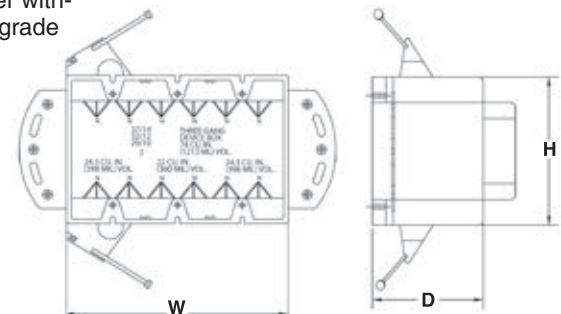
EZ74TNZU EZ BOX is a 74 cu. in., deep, 3-gang switch and outlet box for residential or light commercial new construction (new work) installations. It features molded brackets for steel stud mounting along with v-clamps, Express Clips® and screw-nails for EZ installation. The sharp point, slotted head and threaded body of screw-nails allow for installation with a power screwdriver without having to pre-drill aluminum, light to medium grade steel or wood studs.

- Molded brackets for steel stud installation
- Convenient mounting flanges
- Largest 3-gang available for additional wiring & device capacity
- Dividers available to partition off low/high voltage installation (EZLVD)
- Accepts larger wiring devices
- ETL Listed, ETL 2 Hour Fire-rated
- Made in USA

74 Cubic Inch

Part Number	Carton Quantity	Height	Width	Depth
EZ74TNZU	50	4.000	6.000	3.000

Dimensions are nominal



EZ BOX® Low Voltage Divider for Use with Multi-Gang Deep Boxes



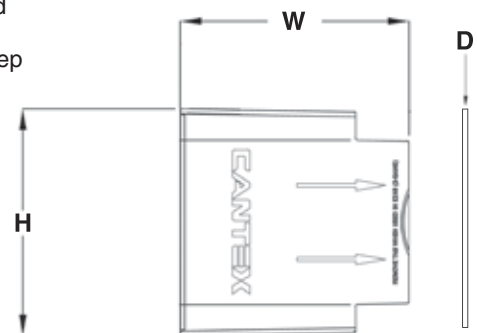
The EZLVD Low Voltage Divider allows the installation of a communication devices in closed-back, multi-gang deep boxes. EZLVD is used with the following CANTEX 2 or 3-gang EZ BOXES: EZ48DN, EZ48DNZ, EZ48D-NU, EZ74TN, EZ74TNZ, EZ74TNU. and EZ74TNZU.

- Safely divides a multi-gang PVC electrical box
- Can transform a high voltage box into an accepted high and low voltage box
- Can be used with most standard 2 and 3 gang deep PVC electrical boxes
- Engineered for easy, cost saving installation and constructed with resilient PVC for durability
- ETL Listed
- Made in USA

Low Voltage Divider

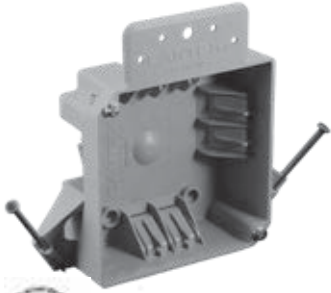
Part Number	Carton Quantity	Height	Width	Depth
EZLVD	50	3.834	3.870	.080

Dimensions are nominal



Divides multi-gang, maximum capacity boxes to allow for the installation of communication devices with standard switches or outlets. Fits 2 & 3-gang, maximum capacity, deep EZ BOXES.

EZ BOX® 4 Inch, Square, 18 Cu. In., New Work, Nail-on Electrical Box with Wire Clamps

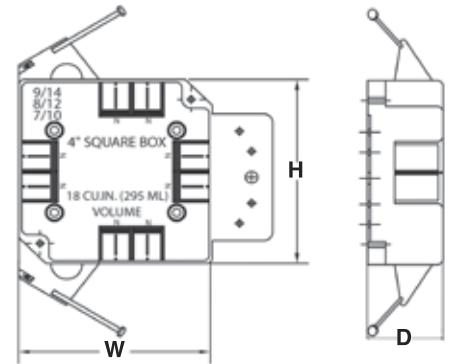


EZ18XN is an 18 cu. in., 4" square, PVC box for residential or light commercial new construction (new work) electrical installations with a molded flange and enhanced angled nails for EZ mounting options. 4" square boxes provide maximum volume for multiple conductors and connectors that often run in two or more directions. Great for walls or ceilings for fixtures, switches or receptacles. CANTEX 4" square boxes are often used with solid PVC blank covers like CANTEX EZXKL.

18 Cubic Inch

Part Number	Carton Quantity	Height	Width	Depth
EZ18XN	75	4.000	4.000	1.625

Dimensions are nominal



2 hour fire-rated



8 integral clamps for EZ & secure wiring

- Great for walls or ceilings for fixtures, switches or receptacles
- 4" square boxes are often used with solid PVC blank covers likes CANTEX EZXKL.
- 8 integral wire clamps to hold wires securely
- Engineered for easy, cost saving installation and constructed with resilient PVC for durability
- ETL Listed, ETL 2 Hour Fire-rated
- Made in USA

EZ BOX® 4 Inch, Square, 32 Cu. In., New Work, Nail-on Electrical Box with Wire Clamps

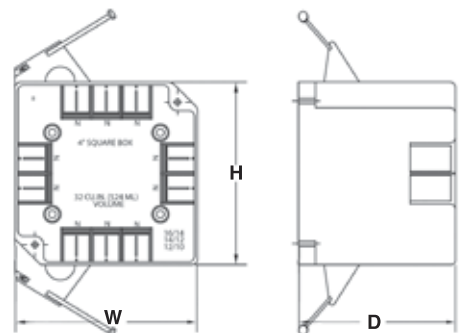


EZ32XN is a 32 cu. in., 4" square, PVC box for residential or light commercial new construction (new work) electrical installations with enhanced angled nails for EZ mounting. 4" square boxes provide maximum volume for multiple conductors and connectors that often run in two or more directions. Great for walls or ceilings for fixtures, switches or receptacles. CANTEX 4" square boxes are often used with solid PVC blank covers likes CANTEX EZXKL.

32 Cubic Inch

Part Number	Carton Quantity	Height	Width	Depth
EZ32XN	50	4.000	4.000	2.625

Dimensions are nominal



2 hour fire-rated



10 integral clamps for EZ & secure wiring

- Great for walls or ceilings for fixtures, switches or receptacles
- 4" square boxes are often used with solid PVC blank covers likes CANTEX EZXKL.
- 10 integral wire clamps to hold wires securely
- Engineered for easy, cost saving installation and constructed with resilient PVC for durability
- ETL Listed, ETL 2 Hour Fire-rated
- Made in USA

EZ BOX® Shallow Bracketed New Work Nail-on Switch & Outlet Box

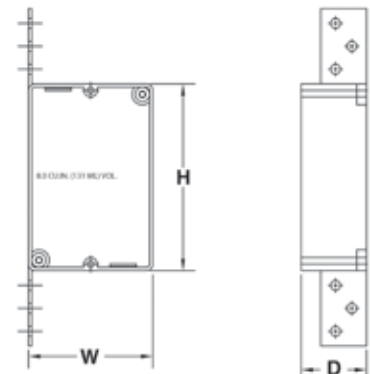


CANTEX EZ08SB is a 1-gang, 8 cubic inch, PVC switch or outlet box that is great for residential and light commercial new construction (new work) applications where a shallow electrical box is needed. It features a molded-on PVC bracket for easy mounting on wood or metal studs.

8 Cubic Inch

Part Number	Carton Quantity	Height	Width	Depth
EZ08SB	25	3.563	2.250	1.250

Dimensions are nominal



2 hour fire-rated

The shallow depth of 1-1/4 inches is great for tight spaces.

- Great for new work applications where a shallow box is needed
- Mounts easily to studs with convenient side bracket
- Shallow depth of 1-1/4 inches for tight spaces
- Engineered for easy, cost saving installation and constructed with resilient PVC for durability
- ETL Listed, ETL 2 Hour Fire-rated
- Made in USA

EZ BOX® 18 cu. in., New Work, Nail-on, Ceiling Box with Wire Clamps



2 hour fire-rated

- Supports fixtures up to 50 lbs.
- Not suitable for ceiling fans.

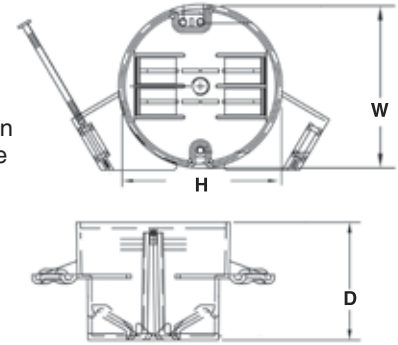
The EZ18CN EZ BOX is an 18 cu. in., new work (new construction) residential ceiling box for residential and light commercial ceiling applications. It features six wire clamps and enhanced angled nails for easy installation. Attached mounting nails are included.

- Attached mounting nails included
- Supports fixtures up to 50 lbs.
- Not suitable for ceiling fans
- Engineered for easy, cost saving installation and constructed with durable polycarbonate for extra strength
- ETL Listed, ETL 2 Hour Fire-rated
- Made in USA

18 Cubic Inch

Part Number	Carton Quantity	Height	Width	Depth
EZ18CN	75	3.500	3.500	2.680

Dimensions are nominal



EZ BOX® 18 cu. in., New Work, Nail-on, Ceiling Box with Wire Clamps & Ground Lug



2 hour fire-rated

- Supports fixtures up to 50 lbs.
- Not suitable for ceiling fans.

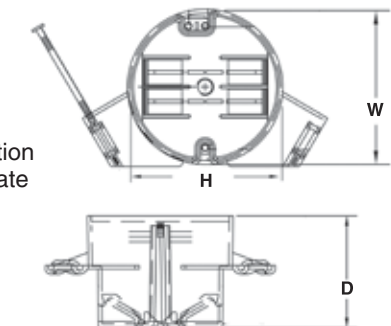
CANTEX EZ18CNG EZ BOX is an 18 cu. in., new work (new construction) residential ceiling box for residential and light commercial ceiling applications. It features six wire clamps and enhanced angled nails for easy installation and a ground lug for grounding. Attached mounting nails are included.

- Attached mounting nails included
- Supports fixtures up to 50 lbs.
- Not suitable for ceiling fans
- Engineered for easy, cost saving installation and constructed with durable polycarbonate for extra strength
- ETL Listed, ETL 2 Hour Fire-rated
- Made in USA

18 Cubic Inch

Part Number	Carton Quantity	Height	Width	Depth
EZ18CNG	75	3.500	3.500	2.680

Dimensions are nominal



EZ BOX® 20 cu. in., New Work, Nail-on Ceiling Box with Wire Clamps



2 hour fire-rated

- Supports fixtures up to 50 lbs.
- Not suitable for ceiling fans.

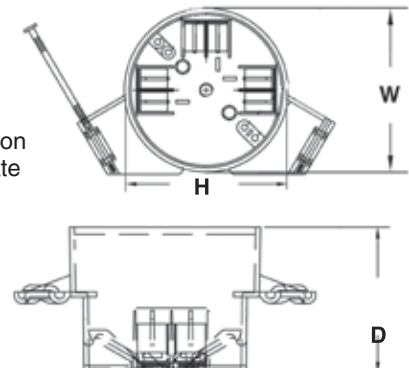
CANTEX EZ20CN EZ BOX is a 20 cu. in., new work (new construction) residential ceiling box for residential and light commercial ceiling applications. It features six wire clamps and enhanced angled nails for easy installation. Attached mounting nails are included.

- Attached mounting nails included
- Supports fixtures up to 50 lbs.
- Not suitable for ceiling fans
- Engineered for easy, cost saving installation and constructed with durable polycarbonate for extra strength
- ETL Listed, ETL 2 Hour Fire-rated
- Made in USA

20 Cubic Inch

Part Number	Carton Quantity	Height	Width	Depth
EZ20CN	75	4.000	4.000	2.300

Dimensions are nominal



EZ BOX® 20 cu. in., New Work, Nail-on Ceiling Box with Wire Clamps and Ground Lug



2 hour fire-rated

- Supports fixtures up to 50 lbs.
- Not suitable for ceiling fans.

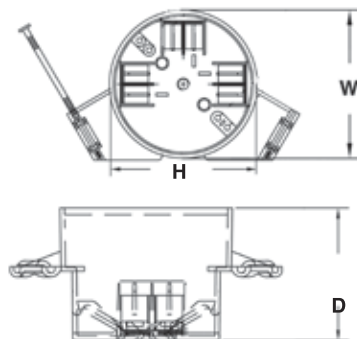
EZ20CNG EZ BOX is a 20 cu. in., new work (new construction) residential ceiling box for residential and light commercial ceiling applications. It features six wire clamps and enhanced angled nails for easy installation and a ground lug for grounding. Attached mounting nails are included.

- Attached mounting nails included
- Supports fixtures up to 50 lbs.
- Not suitable for ceiling fans
- Engineered for easy, cost saving installation and constructed with durable polycarbonate for extra strength
- ETL Listed, ETL 2 Hour Fire-rated
- Made in USA

20 Cubic Inch

Part Number	Carton Quantity	Height	Width	Depth
EZ20CNG	75	4.000	4.000	2.300

Dimensions are nominal



EZ BOX® New Work, 20 cu. in. Ceiling Box with Hanger Bar and Wire Clamps



2 hour fire-rated

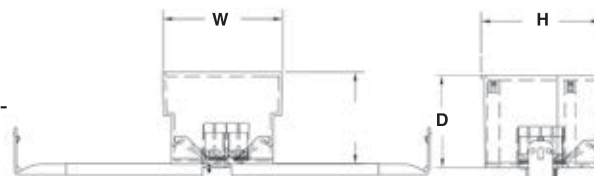
EZ20CH EZ BOX is a 20 cu. in., new work (new construction) ceiling box with an attached bar hanger for adjustable, support between ceiling joists. EZ20CH is for residential and light commercial ceiling applications. EZ20CH features 6 wire clamps and an adjustable bar hanger that adjusts from 14" to 18" for added support and installation options. The EZ20CHL hanger bar adjusts from 18 in. to 24 in.

- Supports fixtures up to 50 lbs.
- Not suitable for ceiling fans
- Engineered for easy, cost saving installation and constructed with durable polycarbonate for extra strength
- ETL Listed, ETL 2 Hour Fire-rated
- Made in USA

20 Cubic Inch

Part Number	Carton Quantity	Height	Width	Depth	Expands
EZ20CH	75	4.000	4.000	2.300	14" to 18"
EZ20CHL	75	4.000	4.000	2.300	18" to 24"

Dimensions are nominal



EZ BOX® New Work, 20 cu. in. Ceiling Box with Hanger Bar, Wire Clamps and Ground Lug



2 hour fire-rated

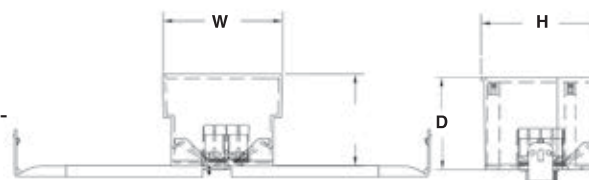
EZ20CHG EZ BOX is a 20 cu. in., new work (new construction) ceiling box with an attached bar hanger for adjustable, support between ceiling joists as well as a ground lug for grounding. EZ20CHG is for residential and light commercial ceiling applications. EZ20CHG features wire clamps and an adjustable bar hanger that adjusts from 14" to 18" for added support and installation options. The EZ20CHL hanger bar adjusts from 18 in. to 24 in.

- Supports fixtures up to 50 lbs.
- Not suitable for ceiling fans
- Engineered for easy, cost saving installation and constructed with durable polycarbonate for extra strength
- ETL Listed, ETL 2 Hour Fire-rated
- Made in USA

20 Cubic Inch

Part Number	Carton Quantity	Height	Width	Depth	Expands
EZ20CHG	75	4.000	4.000	2.300	14" to 18"
EZ20CHGL	75	4.000	4.000	2.300	18" to 24"

Dimensions are nominal



EZ BOX® New Work, 12 cu. in. Ceiling Fan Box with Screws and Wire Clamps

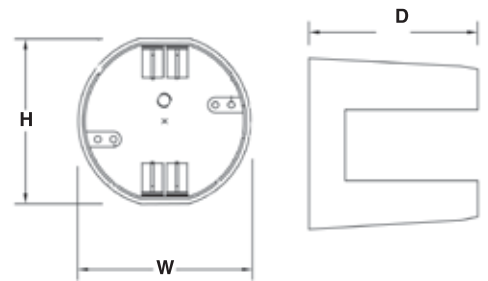


EZ12CF is a 12 cu. in. new construction (new work) ceiling fan box for residential and light commercial new construction (new work) applications. EZ12CF accommodates 3-1/2" and 2-9/16" mounting. CANTEX ceiling fan boxes are designed for easy, cost saving installation and they are constructed with durable polycarbonate for added resilience. The mounting screws are included.

12 Cubic Inch

Part Number	Carton Quantity	Height	Width	Depth
EZ12CF	24	3.875	4.000	2.625

Dimensions are nominal



2 hour fire-rated

- Supports fans up to 70 lbs.
- Fixture support up to 200 lbs.

- Mounting screws included
- Supports fixtures up to 70 lbs.
- Accommodates 3-1/2" and 2-9/16" mounting
- Engineered for easy, cost saving installation and constructed with durable polycarbonate for extra strength
- ETL Listed, ETL 2 Hour Fire-rated
- Made in USA

EZ BOX® Shallow, 8 cu. in., New Work Ceiling Fan Box with Screws & Wire Clamps

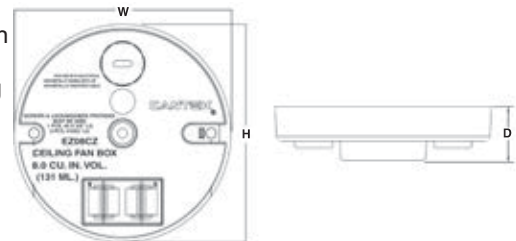


EZ08CZ is a 8 cu. in. shallow, new construction (new work) ceiling fan box for residential and light commercial new construction (new work) applications where a shallow ceiling fan box is needed. EZ08CZ is great for new work ceiling fan applications in tight shallow spaces.

8 Cubic Inch

Part Number	Carton Quantity	Height	Width	Depth
EZ08CZ	25	4.250	4.250	1.000

Dimensions are nominal



2 hour fire-rated

- Supports fans up to 35 lbs.
- Fixture support up to 50 lbs.

- Mounting screws included
- Great for new work ceiling fan applications in tight shallow spaces.
- Accommodates 3-1/2" and 2-9/16" mounting
- Engineered for easy, cost saving installation and constructed with durable polycarbonate for extra strength
- ETL Listed, ETL 2 Hour Fire-rated
- Made in USA

EZ BOX® 20 cu. in., New Work, Ceiling Fan Box with Screws and Wire Clamps

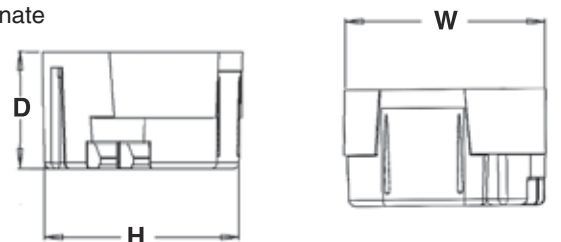


EZ20CZ deep ceiling fan box for (new work) new construction applications is a 20 cu. in. ceiling fan box. EZ20CZ is good for residential and light commercial applications. It features 6 wiring clamps for easy wire installation.

20 Cubic Inch Ceiling Fan Box

Part Number	Carton Quantity	Width	Height	Depth
EZ20CZ	18	4.000	4.000	2.300

Dimensions are nominal



2 hour fire-rated

- Supports fans up to 35 lbs.
- Fixture support up to 50 lbs.

- Mounting screws included
- Features 6 wiring clamps for easy wire installation
- Engineered for easy, cost saving installation and constructed with durable polycarbonate for extra strength
- ETL Listed, ETL 2 Hour Fire-rated
- Made in USA

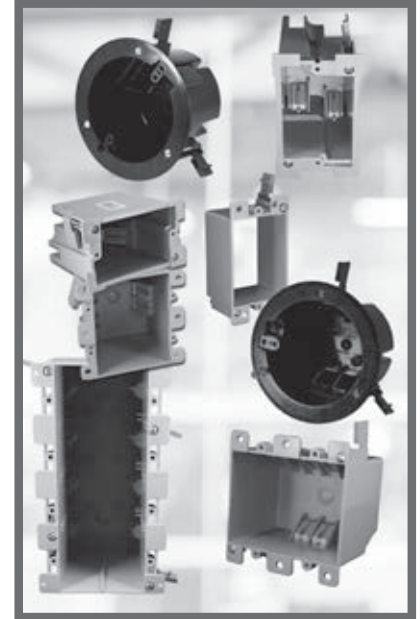
CANTEX OLD WORK EZ BOXES

Our old work (renovation) application switch, outlet and ceiling boxes are perfect for residential and light commercial use. Our large selection of PVC electrical old work EZ Boxes offers several options for meeting all old work project specifications.

Our old work electrical switch and outlet boxes are made of non-conductive, durable, easy-to-install PVC while our old work ceiling boxes are crafted of durable polycarbonate for extra strength. The old work box line is designed for simple installation for old work projects and can also be used on masonry walls when the wall is enclosed. Since our old work boxes come with their own mounting systems, there is no need to fasten to studs, which makes remodeling electrical work easy. CANTEX old work boxes can also be changed out with ease, making it simple to keep up with the electrical needs of ever-changing technology.

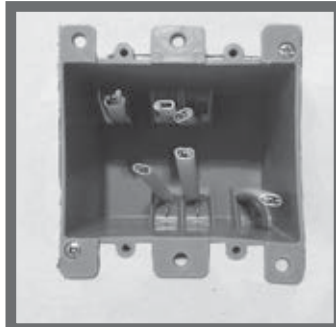
The Capacity You Need

CANTEX EZ BOXES offer a variety of capacity options to provide room for all of your old work electrical wiring and installation needs.



At Work Behind the Walls

CANTEX EZ BOX old work boxes work behind the scenes to ensure they are locked into place. Winged swing tabs help lock CANTEX EZ BOX old work boxes in place. Just twist and tighten the wing tabs for an added measure of security.



EZ Installation

The molded EZ mount flanges make it EZ to attach our old work boxes to any walls for any old work (renovation) projects. Just insert the box in a freshly cut hole or an existing hole and attach it to the wall.

Secure Wire Clamp Options

CANTEX old work EZ BOXES offer a variety of secure wiring clamp options to meet all of your wiring needs.



EZ BOX® 1-Gang, 14 cu. in., Old Work, Switch & Outlet Box with EZ Mount Flanges & Wire Clamps



2 hour fire-rated



4 integral clamps for EZ & secure wiring

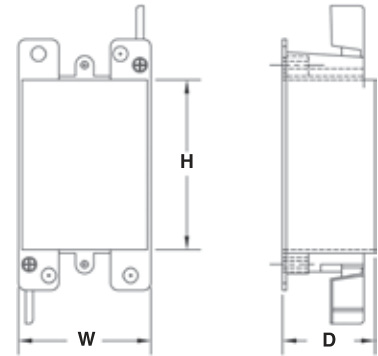
EZ14SO EZ BOX is a 1-Gang, 14 cu. in., renovation applicaton (old work), electrical switch or outlet box for residential or light commercial renovation projects when a 1-gang box is needed. EZ mount flanges, winged swing tabs and 4 built-in integral wire clamps make installation easy and cost effective.

- EZ Mount flanges and winged swing tabs for easy installation
- Integral wire clamps for firm and secure wiring
- For use with non-metallic cable
- Engineered for EZ, cost saving installation and constructed with resilient PVC for durability
- ETL Listed, UL 2 Hour Fire-rated
- Made in USA

14 Cubic Inch

Part Number	Carton Quantity	Height	Width	Depth
EZ14SO	50	3.125	2.250	2.750

Dimensions are nominal



EZ BOX® 1-Gang, Old Work, Switch and Outlet Box with EZ Mount Flanges & V-Clamps



Features 4 V-clamps for EZ & secure wiring

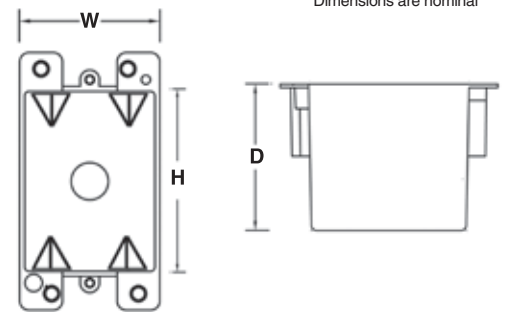
EZ21SO EZ BOX is a 1-Gang, 21 cu. in., renovation application (old work) electrical switch or outlet box for residential or light commercial renovation (old work) projects when a 1-gang box is needed. EZ mount flanges, winged swing tabs and 4 built-in, contractor preferred v-clamps make installation easy and cost effective.

- EZ Mount flanges and winged swing tabs for easy installation
- Contractor preferred wire v-clamps for firm and secure wiring
- For use with non-metallic cable
- Engineered for EZ, cost saving installation and constructed with resilient PVC for durability
- UL Listed
- Made in USA

21 Cubic Inch

Part Number	Carton Quantity	Height	Width	Depth
EZ21SO	50	3.850	2.400	3.600

Dimensions are nominal



EZ BOX® 1-Gang, Old Work, 18 cu. in. Heavy Wall Switch & Outlet Box w/ EZ Mount Flanges & Wire Clamps



4 integral clamps for EZ & secure wiring

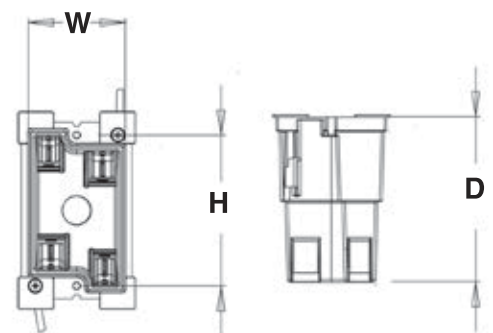
EZ18SO-HW is a 18 cu. in., 1-gang, old work, heavy wall electrical switch and outlet EZ BOX for renovation projects (old work). This heavy duty box with EZ mount flanges and winged mounting tabs is perfect for residential and light commercial applications where a more durable shell is desired. The harder shell resists flexing in various conditions. Wing tabs allow for easy, secure stud alignment & mounting.

- The harder shell resists flexing and holds its shape in extreme conditions
- Wing tabs allow for easy, secure stud alignment & mounting
- Stronger clamps for secure wiring
- Engineered for EZ, cost saving installation and constructed with resilient PVC for durability
- ETL Listed
- Made in USA

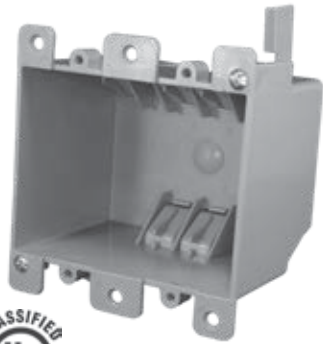
18 Cubic Inch

Part Number	Carton Quantity	Height	Width	Depth
EZ18SO-HW	36	3.2850	2.400	3.600

Dimensions are nominal



EZ BOX® 2-Gang, 25 cu. in., Old Work Switch & Outlet Box w/ EZ Mount Flanges & Wire Clamps



2 hour fire-rated



6 integral clamps for EZ & secure wiring

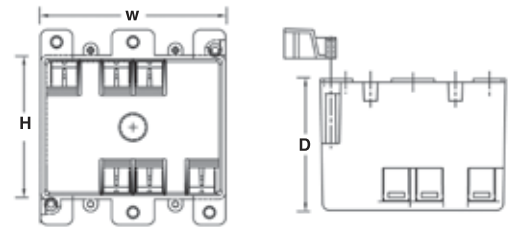
EZ25DO EZ BOX is a 2-Gang, 25 cu. in., renovation application (old work) electrical switch or outlet box for residential or light commercial renovation projects when a 2-gang box is needed. EZ mount flanges, winged swing tabs and built in wire clamps make installation easy and cost effective.

- EZ Mount flanges and winged swing tabs for easy installation
- 6 Integral wire clamps for firm and secure wiring
- For use with non-metallic cable
- Engineered for EZ, cost saving installation and constructed with resilient PVC for durability
- UL Listed, UL 2 Hour Fire-rated
- Made in USA

25 Cubic Inch

Part Number	Carton Quantity	Height	Width	Depth
EZ25DO	30	3.125	4.000	2.875

Dimensions are nominal



EZ BOX® Old Work, 34 cu. in. Heavy Wall, 2-Gang, Switch & Outlet Box w/ EZ Mount Flanges & Wire Clamps



8 integral clamps for EZ & secure wiring

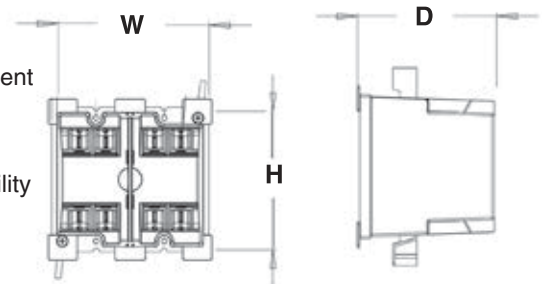
EZ34DO-HW is the CANTEX 2-gang, 34 cu. in., heavy wall, electrical switch and outlet EZ BOX for renovation projects (old work). This heavy duty box with winged mounting tabs is perfect for residential and light commercial applications where a more durable, harder shell is desired to resist flexing.

- The harder shell resists flexing and holds its shape in extreme conditions
- Wing tabs allow for easy, secure stud alignment & mounting
- Stronger clamps for secure wiring
- Engineered for EZ, cost saving installation and constructed with resilient PVC for durability
- ETL Listed
- Made in USA

34 Cubic Inch

Part Number	Carton Quantity	Height	Width	Depth
EZ34DO-HW	18	3.850	4.200	3.500

Dimensions are nominal



EZ BOX® 3-Gang, Old Work, 55 cu. in. Switch and Outlet Box with EZ Mount Flanges and Wire Clamps



2 hour fire-rated



6 integral clamps for EZ & secure wiring

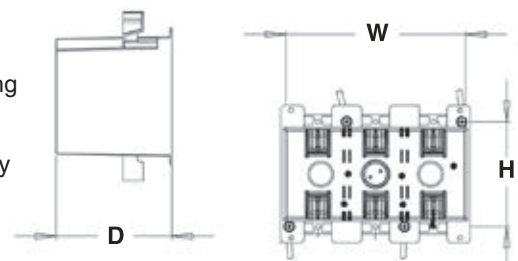
EZ55TO EZ BOX is a 3-Gang, 55 cu. in., renovation application (old work) electrical switch or outlet box for residential or light commercial renovation projects when a 3-gang box is needed. EZ mount flanges, winged swing tabs and built in wire clamps make installation easy and cost effective.

- EZ Mount flanges and winged swing tabs for easy installation
- 6 Integral wire clamps for firm and secure wiring
- For use with non-metallic cable
- Engineered for EZ, cost saving installation and constructed with resilient PVC for durability
- ETL Listed, ETL 2 Hour Fire-rated
- Made in USA

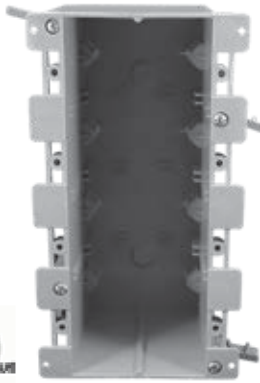
55 Cubic Inch

Part Number	Carton Quantity	Height	Width	Depth
EZ55TO	6	3.720	6.000	3.630

Dimensions are nominal



EZ BOX® 4-Gang, 68 cu. in., Old Work Switch & Outlet Box with EZ Mount Flanges and V-Clamps



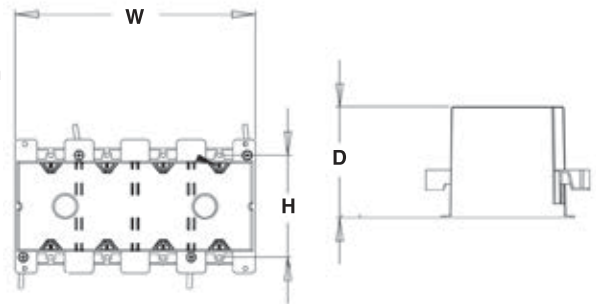
EZ68QO EZ BOX is a 4-Gang, 68 cu. in., renovation application (old work) electrical switch or outlet box for residential or light commercial renovation projects when a 4-gang box is needed. EZ mount flanges, winged swing tabs and built in wire clamps make installation easy and cost effective.

68 Cubic Inch

Part Number	Carton Quantity	Height	Width	Depth
EZ68QO	6	3.750	7.750	3.560

Dimensions are nominal

- EZ Mount flanges and winged swing tabs for easy installation
- 8 v-clamps for firm and secure wiring
- For use with non-metallic cable
- Engineered for EZ, cost saving installation and constructed with resilient PVC for durability
- ETL Listed, ETL 2 Hour Fire-rated
- Made in USA



8 V-clamps for EZ & secure wiring

EZ BOX® Shallow, 1-Gang, 8 cu. in., Switch and Outlet Box with EZ Mount Flanges



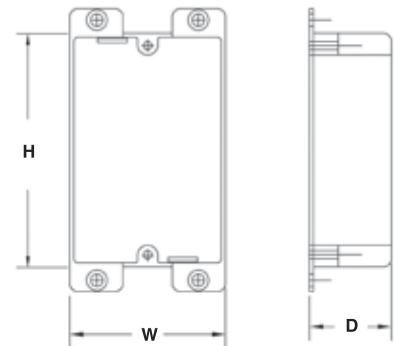
CANTEX EZ08SF is a 1-gang, 8 cubic inch, PVC switch or outlet box that is great for residential and light commercial applications where a shallow electrical box is needed. It features molded-on PVC flanges for easy mounting on a closed wall.

8 Cubic Inch

Part Number	Carton Quantity	Height	Width	Depth
EZ08SF	25	3.550	2.375	1.250

Dimensions are nominal

- Mounts easily with convenient flanges (mounting ears)
- Shallow depth of 1-1/4 inches for tight spaces
- Engineered for EZ, cost saving installation and constructed with resilient PVC for durability
- ETL Listed, ETL 2 Hour Fire-rated
- Made in USA



2 hour fire-rated

EZ BOX® 1-Gang, Low Voltage, Old Work Switch & Outlet Box w/ EZ Mounting Flanges



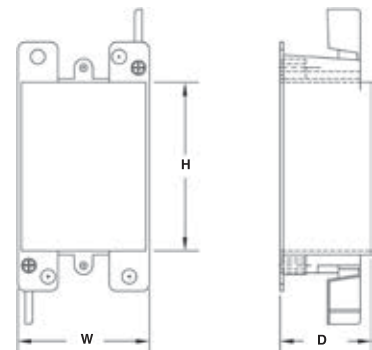
EZ10SOLV is a 1-gang, old work, low voltage EZ BOX used for low voltage installations in renovation (old work) residential and light commercial applications. The backless design is great for the large or deep low-voltage wiring needed for communications and cable installations.

10 Cubic Inch

Part Number	Carton Quantity	Height	Width	Depth
EZ10SOLV	25	3.000	2.250	1.580

Dimensions are nominal

- Fits most standard 1-gang PVC faceplates
- Mounts easily with convenient flanges (mounting ears)
- EZ Mount winged swing tabs hold it securely in place
- Engineered for EZ, cost saving installation and constructed with resilient PVC for durability
- ETL Listed, ETL 2 Hour Fire-rated
- Made in USA



EZ BOX® Old Work 1-Gang Box Extender

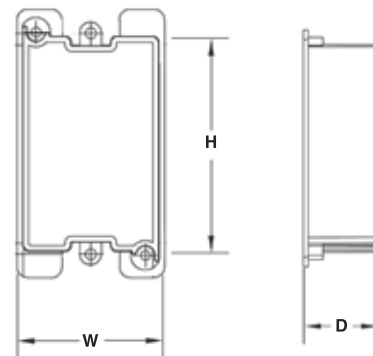


EZSO-EXT EZ BOX PVC Old Work, 1-gang Box Extender is great for remodeling (old work) projects where boxes are set too deep in the wall and need extending. It can extend switch & outlet boxes up to 1-1/8 inches. It can be used with most standard 1-gang nonmetallic electrical switch and outlet boxes.

- Extends most standard 1-gang PVC switch & outlet boxes with ease
- EZ Mount flanges for easy installation
- Mounting Hardware included
- Engineered for EZ, cost saving installation and constructed with resilient PVC for durability
- ETL Listed, ETL 2 Hour Fire-rated
- Made in USA

Part Number	Carton Quantity	Width	Height	Depth
EZSO-EXT	25	2.25	3.25	1.50

Dimensions are nominal



EZ BOX® Old Work, 18 cu. in., Ceiling Box with EZ Mount Tabs and Wire Clamps



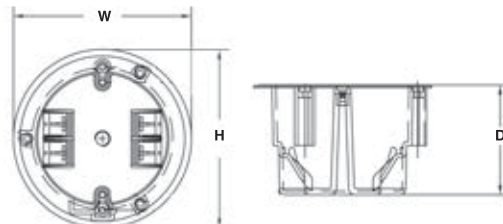
EZ18CO EZ BOX is an 18 cu. in., ceiling box for (old work) electrical ceiling applications for residential or light commercial renovation (old work) projects. The EZ mount flanges, wing tabs and built in wire clamps make installation easy and cost effective. CANTEX ceiling boxes are constructed with durable polycarbonate for added resilience.

- EZ Mount flanges and winged swing tabs for easy installation
- Engineered for easy, cost saving installation and constructed with durable polycarbonate for extra strength
- ETL Listed, ETL 2 Hour Fire-rated
- Made in USA

18 Cubic Inch

Part Number	Carton Quantity	Height	Width	Depth
EZ18CO	100	4.380	4.380	2.680

Dimensions are nominal



2 hour fire-rated

- Supports fans up to 6 lbs.
- Not suitable for ceiling fans.

EZ BOX® Old Work, 18 cu. in., Ceiling Box with EZ Mount Tabs, Wire Clamps & Ground Lug



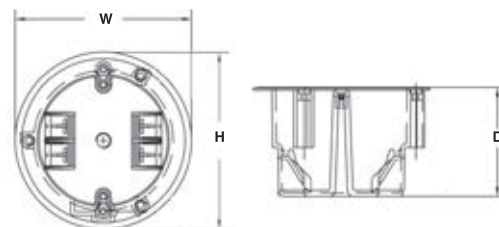
EZ18COG EZ BOX is an 18 cu. in., ceiling box with a ground lug for electrical ceiling applications for (old work) residential or light commercial renovation (old work) projects. The EZ mount flanges, wing tabs and built in wire clamps make installation easy and cost effective. CANTEX ceiling boxes are constructed with durable polycarbonate for added resilience.

- EZ Mount flanges and winged swing tabs for easy installation
- Engineered for easy, cost saving installation and constructed with durable polycarbonate for extra strength
- ETL Listed, ETL 2 Hour Fire-rated
- Made in USA

18 Cubic Inch

Part Number	Carton Quantity	Height	Width	Depth
EZ18COG	100	4.380	4.380	2.680

Dimensions are nominal

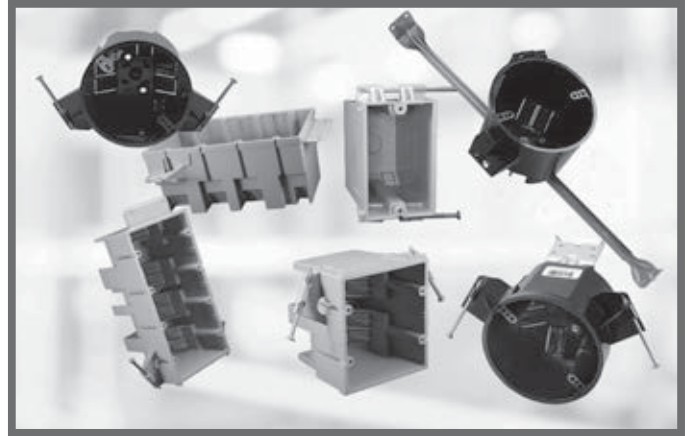


2 hour fire-rated

- Supports fans up to 6 lbs.
- Not suitable for ceiling fans.

HEAVY WALL EZ BOXES®

Our heavy wall EZ BOX line is ideal for new work applications where an even more durable PVC electrical switch, or outlet box is a desired. CANTEX heavy wall EZ BOXES have all of the same EZ installation features as our other EZ BOXES, but they are designed with a harder shell to make these durable PVC boxes even more resilient to flexing, breaking or changes in shape in various conditions.



EZ BOX® Heavy Wall, 1-Gang, 22 cu. in., New Work, Nail-on Switch and Outlet Box w/ Knockouts



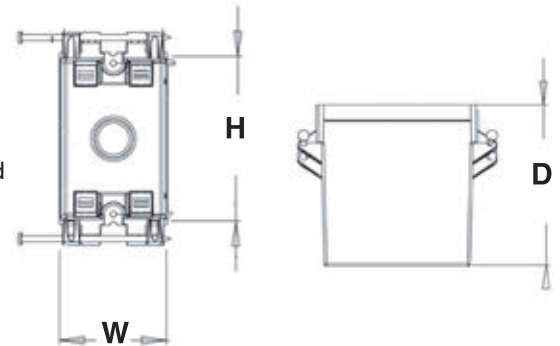
EZ22SN-HW is a 1-gang, 22 cu. in., heavy wall EZ BOX that is ideal for new work applications for residential and light commercial projects where an even more durable box is preferred. The harder shell is designed to resist flexing and hold its shape in extreme conditions. EZ22SN-HW also features enhanced angled nails for easy mounting between studs and knockouts for EZ wiring.

- Enhanced angled nails for easy mounting between studs
- 4 knockouts for EZ wiring
- Engineered for easy, cost saving installation and constructed with resilient PVC for durability
- ETL Listed, ETL 2 Hour Fire Rated
- Made in USA

22 Cubic Inch

Part Number	Carton Quantity	Height	Width	Depth
EZ22SN-HW	100	3.750	2.350	3.750

Dimensions are nominal



2 hour fire-rated

**4 Knockouts
for EZ & secure
wiring**

EZ BOX® 2-Gang, 35 cu. in., Heavy Wall, New Work, Nail-on Switch & Outlet Box w/ Wire Clamps



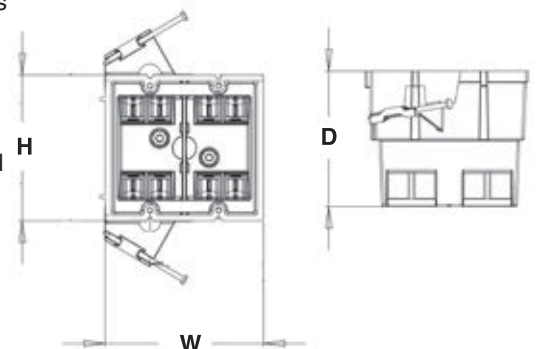
EZ35DN-HW is a 2-gang 35 cu. in. heavy wall residential EZ BOX that is ideal for new work applications for residential and light commercial projects where an even more durable box is preferred. The harder shell is designed to resist flexing and hold its shape in extreme conditions. It also features enhanced angled nails for easy mounting between studs 8 wire clamps for EZ and secure wiring.

- Enhanced angled nails for easy mounting between studs
- 8 wire clamps for EZ and secure wiring.
- Engineered for easy, cost saving installation and constructed with resilient PVC for durability
- ETL Listed, ETL 2 Hour Fire Rated
- Made in USA

35 Cubic Inch

Part Number	Carton Quantity	Height	Width	Depth
EZ35DN-HW	48	3.850	4.170	3.590

Dimensions are nominal



2 hour fire-rated

**8 integral clamps
for EZ & secure
wiring**

EZ BOX® 3-Gang, 53 cu. in., Heavy Wall, New Work, Nail-on Switch and Outlet Box w/ Wire Clamps



EZ53TN-HW is a 3-gang, 53 cu. in., heavy wall EZ BOX that is ideal for new work applications for residential and light commercial projects where an even more durable box is preferred. The harder shell is designed to resist flexing and hold its shape. It features enhanced, angled nails for easy mounting between studs and 12 integral wire clamps for EZ secure wiring.

53 Cubic Inch

Part Number	Carton Quantity	Height	Width	Depth
EZ53TN-HW	24	3.850	5.900	3.600

Dimensions are nominal

- The harder shell resists flexing and holds its shape in extreme conditions
- Enhanced angled nails for easy mounting between studs
- 12 wire clamps for EZ and secure wiring
- Engineered for easy, cost saving installation and constructed with resilient PVC for durability
- ETL Listed, ETL 2 Hour Fire Rated
- Made in USA



2 hour fire-rated



12 integral clamps for EZ & secure wiring

EZ BOX® Heavy Wall 4-Gang 64 cu. in. New Work Nail-on Switch and Outlet Box w/ Wire Clamps



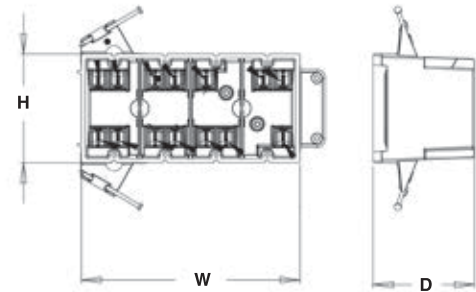
EZ64QN-HW is a 4-gang, 64 cu. in., heavy wall residential EZ BOX that is ideal for new work applications for residential and light commercial projects where where an even more durable electrical box is preferred. This larger 64 cu. in. box is designed to hold most standard devices. The harder shell is designed to resist flexing and hold its shape. It also features stronger wire clamps for extra secure wiring.

64 Cubic Inch

Part Number	Carton Quantity	Height	Width	Depth
EZ64QN-HW	24	3.850	7.750	3.600

Dimensions are nominal

- The harder shell resists flexing and holds its shape in extreme conditions
- Enhanced angled nails for easy mounting between studs and a bracket for mounting options
- 14 wire clamps for EZ and secure wiring
- Engineered for easy, cost saving installation and constructed with resilient PVC for durability
- ETL Listed, ETL 2 Hour Fire Rated
- Made in USA

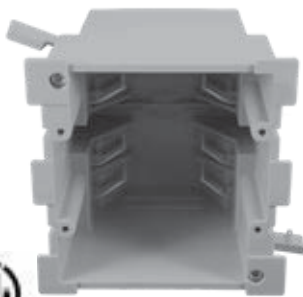


2 hour fire-rated



14 integral clamps for EZ & secure wiring

EZ BOX® Old Work, Heavy Wall, 2-Gang, 34 cu. in. Switch & Outlet Box w/ EZ Mount Flanges & Wire Clamps



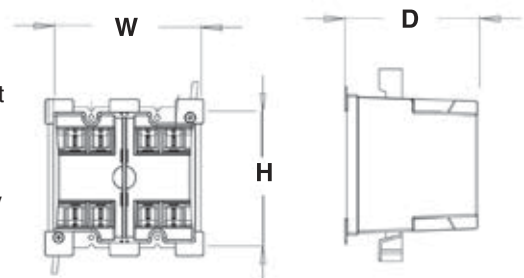
EZ34DO-HW is the CANTEX 2-gang, 34 cu. in., heavy wall, electrical switch and outlet EZ BOX for renovation projects (old work). This heavy duty box with winged mounting tabs is perfect for residential and light commercial applications where a more durable, harder shell is desired to resist flexing.

34 Cubic Inch

Part Number	Carton Quantity	Height	Width	Depth
EZ34DO-HW	18	3.850	4.200	3.500

Dimensions are nominal

- The harder shell resists flexing and holds its shape in extreme conditions
- Wing tabs allow for easy, secure stud alignment & mounting
- Stronger clamps for secure wiring
- Engineered for EZ, cost saving installation and constructed with resilient PVC for durability
- ETL Listed
- Made in USA



8 integral clamps for EZ & secure wiring

EZ BOX® Heavy Wall, 25 cu. in., New Work, Nail-on Ceiling Box with Wire Clamps

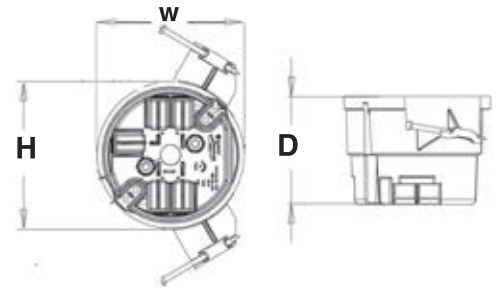


EZ25CN-HW is a 25 cu. in., nail-on, heavy wall ceiling box for new work (construction) applications for residential and light commercial projects. It is a heavy duty new construction (new work) ceiling box to use where a more durable electrical box is preferred. The harder shell is designed to resist flexing and hold its shape. It features enhanced angled nails for easy mounting between studs and 5 heavy-duty wire clamps for EZ and secure wiring.

25 Cubic Inch

Part Number	Carton Quantity	Height	Width	Depth
EZ25CN-HW	24	4.000	4.000	3.000

Dimensions are nominal



2 hour fire-rated

- Supports fixtures up to 50 lbs.
- Not suitable for ceiling fans.

- Enhanced angled nails for easy mounting between studs
- The harder shell resists flexing and holds its shape in extreme conditions
- Stronger clamps for secure wiring
- Engineered for easy, cost saving installation and constructed with durable polycarbonate for extra strength
- ETL Listed, ETL 2 Hour Fire Rated
- Made in USA

EZ BOX® Heavy Wall, 25 cu. in., New Work, Nail-on, Ceiling Box w/ Wire Clamps & Ground Lug

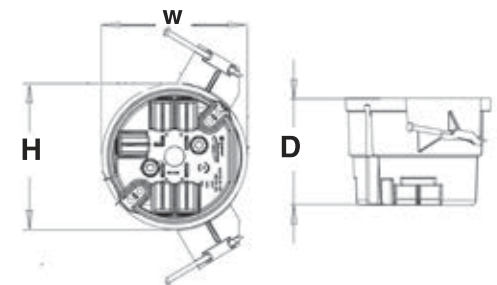


EZ25CNG-HW is a 25 cu. in., nail-on, heavy wall ceiling box for new work (construction) applications for residential and light commercial projects. It is a heavy duty new construction (new work) ceiling box to use where a more durable electrical box is preferred. The harder shell resists flexing and holds shape in extreme conditions. It features 5 heavy-duty wire clamps for EZ secure wiring. It features a ground lug for EZ grounding when required.

25 Cubic Inch

Part Number	Carton Quantity	Height	Width	Depth
EZ25CNG-HW	24	4.000	4.000	3.000

Dimensions are nominal



2 hour fire-rated

- Supports fixtures up to 50 lbs.
- Not suitable for ceiling fans.

- Enhanced angled nails for mounting between studs
- The harder shell resists flexing and holds its shape in extreme conditions
- Stronger clamps for secure wiring
- Engineered for easy, cost saving installation and constructed with durable polycarbonate for extra strength
- ETL Listed, ETL 2 Hour Fire Rated
- Made in USA

EZ BOX® Heavy Wall, 25 cu. in., New Work Ceiling Box with Hanger Bar & Wire Clamps

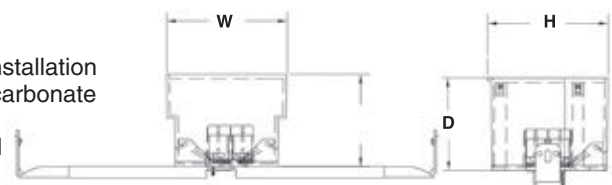


EZ25CH-HW EZ BOX is a 25 cu. in, heavy wall, new work ceiling box with an attached bar hanger for extra support and adjustability. The harder shell of EZ25CH-HW is designed to use where a more durable electrical box is preferred. The harder shell is designed to resist flexing and hold its shape during extreme conditions. The adjustable bar hanger adjusts from 14" to 18" for added support and adaptability. It also features 5 integral wire clamps.

25 Cubic Inch

Part Number	Carton Quantity	Height	Width	Depth
EZ25CH-HW	20	4.000	4.000	3.000

Dimensions are nominal



2 hour fire-rated

- Supports fixtures up to 50 lbs.
- Not suitable for ceiling fans.

- Adjustable bar hanger adjusts from 14" to 18" for added support and adaptability
- 2 brackets for installation options
- Engineered for easy, cost saving installation and constructed with durable polycarbonate for extra strength
- ETL Listed, ETL 2 Hour Fire Rated
- Made in USA

EZ BOX® Heavy Wall, 25 cu. in., New Work, Ceiling Box w/ Hanger Bar, Wire Clamps & Ground Lug



EZ25CHG-HW EZ BOX is a 25 cu. in, heavy wall new work ceiling box with a ground lug and an attached bar hanger for extra support and adjustability. The heavy wall or harder shell of EZ25CHG-HW is designed to use where a more durable electrical box is preferred. The harder shell is designed to resist flexing and hold its shape. The adjustable bar hanger adjusts from 14" to 18" for added support and adaptability. It also features 5 integral wire clamps and a ground lug for EZ grounding when required.

25 Cubic Inch

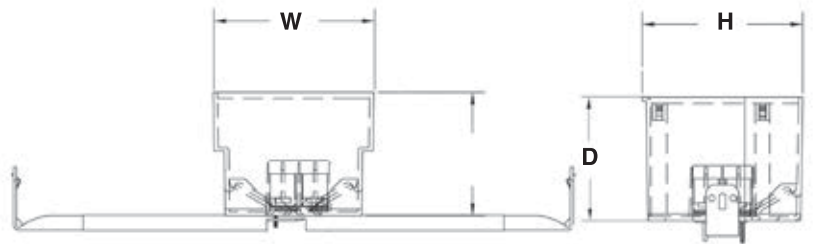
Part Number	Carton Quantity	Height	Width	Depth
EZ25CHG-HW	20	4.000	4.000	3.000

Dimensions are nominal



2 hour fire-rated

- Supports fixtures up to 50 lbs.
- Not suitable for ceiling fans.



- The harder shell resists flexing and holds its shape in extreme conditions
- Adjustable bar hanger adjusts from 14" to 18" for added support and adaptability
- 2 brackets for installation options
- Engineered for easy, cost saving installation and constructed with durable polycarbonate for extra strength
- ETL Listed, ETL 2 Hour Fire Rated
- Made in USA

Heavy Wall Ceiling Fan Box

EZ BOX® Heavy Wall, 25 cu. in., New Work, Nail-on Ceiling Fan Box with Wire Clamps and L-Bracket



EZ25CF-HW EZ BOX ceiling fan box is a nail-on, heavy duty ceiling fan box for new work (construction) applications for residential and light commercial projects. It features a harder shell that will not break or change shape in extreme conditions. It also features an attached metal nail-on L-bracket for easy installation and added support. CANTEX ceiling boxes are constructed with durable polycarbonate for added resilience.

25 Cubic Inch

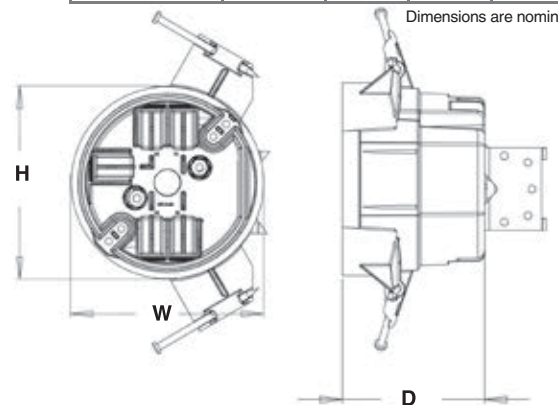
Part Number	Carton Quantity	Height	Width	Depth
EZ25CF-HW	24	4.000	4.000	3.000

Dimensions are nominal

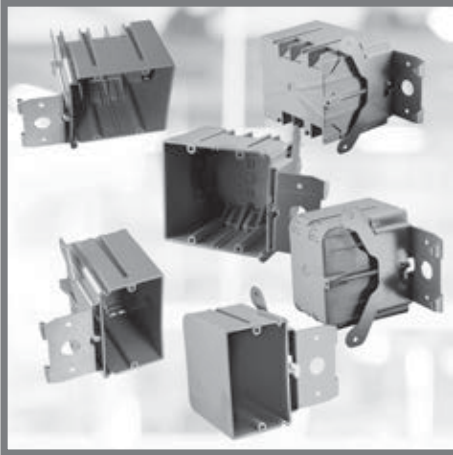


2 hour fire-rated

- Supports fixtures up to 50 lbs.
- Supports ceiling fans up to 35 lbs.



- The harder shell resists flexing and holds its shape in extreme conditions
- L-bracket with nails with easier installation
- 5 increased strength wire clamps for secure wiring
- Engineered for easy, cost saving installation and constructed with durable polycarbonate for extra strength
- ETL Listed, ETL 2 Hour Fire Rated
- Made in USA

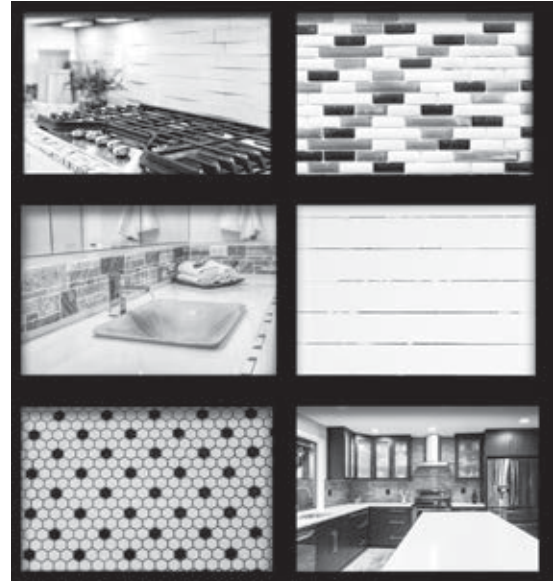


Adjustable EZ BOXES®

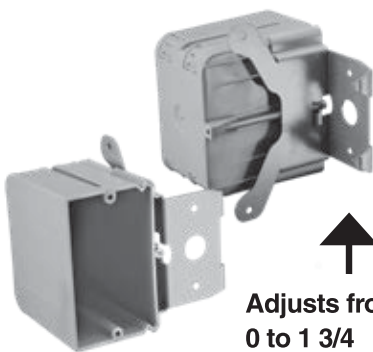
CANTEX EZ BOX adjustable PVC switch & outlet boxes feature attached adjustable brackets that adjust to most drywall thicknesses and wall finishes with a simple turn of a screw. Great for new work and retrofit applications, our adjustable boxes are perfect for kitchens and bathrooms where the type of wall finish often determines the depth of a box. They are a great option when a wall covering has already been installed, because they adjust to fit almost any wall finish in seconds.

CANTEX Adjustable EZ BOXES can solve most wall covering thickness problems for both old and new work applications because they can adjust from 0 to 1 3/4 inches after installation. They are also EZ to mount on any standard wood or metal stud.

Watch an Adjustable Box installation video at <https://www.cantexinc.com/resources/videos>.



EZ BOX® Adjustable, 1-Gang, New Work & Retrofit Switch & Outlet Box w/ Adjustable Bracket



Adjusts from
0 to 1 3/4
inches.



EZ21SBZ-ADJ EZ BOX is the CANTEX 1-gang, adjustable, 21 cu. in., new work, electrical switch & outlet box with an adjustable bracket that adjusts to various drywall thicknesses and wall finishes. It is a perfect solution when a wall covering has already been installed. It is great for construction and retrofit applications. It is easy to mount to standard wood or metal studs.

- Bracket adjusts to most drywall thicknesses & wall coverings
- 4 knockouts for EZ wiring
- Easy to mount to standard wood or metal stud
- Adjusts to any wall covering
- ETL Listed, ETL 2 Hour Fire Rated
- Engineered for easy, cost saving installation and constructed with resilient PVC for durability
- Made in USA

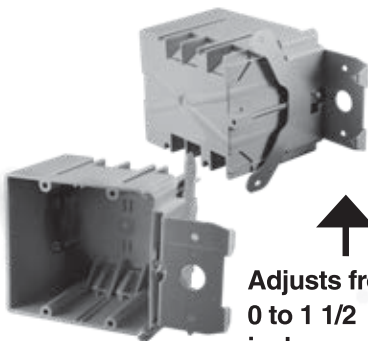
21 Cubic Inch

Part Number	Carton Quantity	Height	Width	Depth
EZ21SBZ-ADJ	24	3.650	2.140	3.300

Dimensions are nominal



EZ BOX® Adjustable, 2-Gang, New Work & Retrofit Switch & Outlet Box w/ Adjustable Bracket



Adjusts from
0 to 1 1/2
inches.



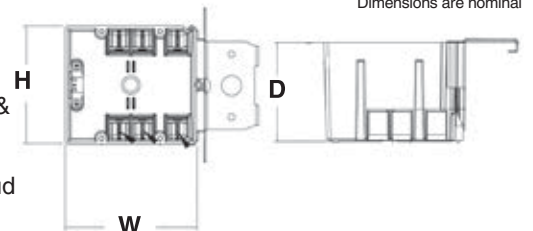
EZ34DBZ-ADJ EZ BOX is the CANTEX 2-gang, adjustable, 34 cu. in., new construction, electrical switch and outlet box with an adjustable bracket that adjusts to the of depth to various drywall thicknesses and wall finishes. It is a perfect solution when a wall covering has already been installed. It is great for new construction (new work) and retrofit applications. It is easy to mount to standard wood or metal studs.

- Bracket adjusts to most drywall thicknesses & wall coverings
- 6 wire clamps for EZ wiring
- Easy to mount to standard wood or metal stud
- Adjusts to any wall covering
- ETL Listed, ETL 2 Hour Fire Rated
- Engineered for easy, cost saving installation and constructed with resilient PVC for durability
- Made in USA

34 Cubic Inch

Part Number	Carton Quantity	Height	Width	Depth
EZ34DBZ-ADJ	16	3.650	4.000	3.000

Dimensions are nominal



ENERGY EFFICIENT EZ BOX® Vapor Boxes

Our energy efficient EZ BOX Vapor Boxes are a great solution for meeting the needs of the energy efficiency requirements of modern homes. These new construction (new work) vapor-tight boxes feature offset flanges covered with foam gaskets and additional gaskets over cable entry points, creating a vapor tight seal. EZ BOX Vapor Boxes are engineered for easy, cost saving installation and constructed with resilient PVC for durability. They are great for exterior walls, garages, sunporches and any spaces that may be subject to unwanted air-flow. They also meet all applicable NEMA specifications.



ENERGY EFFICIENT foam seal at clamp entry points protect from unwanted warm or cold air-flow.

ENERGY EFFICIENT offset flanges covered with foam gaskets protect from unwanted warm or cold air flow.



EZ BOX® 1-Gang, 23 cu. in., New Work, Nail-on Vapor Proof Box with Wire Clamps and Gasket

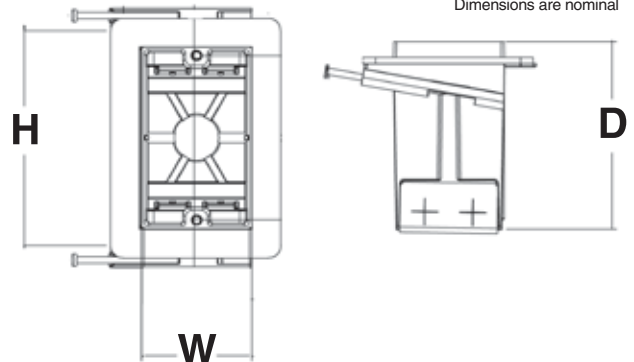


EZ23SN-RG is a 1-gang, new work, vapor-proof EZ Box. It is an energy efficient electrical box for walls subject to unwanted air-flow. It eliminates air leaks with a solid drywall flange covered with a foam gasket and additional foam gaskets over 4 self-clamping cable entry clamps. These foam gaskets create a vapor-tight seal preventing air from flowing through the box. The 23 cubic inch EZ Box vapor box is the largest 1-gang box in the industry. EZ23SN-RG also feature enhanced angled nails for EZ secure installation.

21 Cubic Inch

Part Number	Carton Quantity	Height	Width	Depth
EZ23SN-RG	60	3.700	2.300	3.740

Dimensions are nominal



2 hour fire-rated



Foam seal at clamp entry points

- Meets energy efficiency goals and reduces heating and cooling costs
- Flange to help ensure a flush fit to 1/2 in. drywall
- 4 self-clamping, foam-covered wire clamps
- The 23 cu. in. EZ BOX is the largest 1-gang PVC box in the industry
- Enhanced angled nails for easy mounting between studs
- ETL Listed, ETL 2 Hour Fire Rated
- Engineered for easy, cost saving installation and constructed with resilient PVC for durability
- Made in USA

EZ BOX® 2-Gang, 36 cu. in., New Work, Nail-on, Vapor-Proof Box with Wire Clamps and Gasket

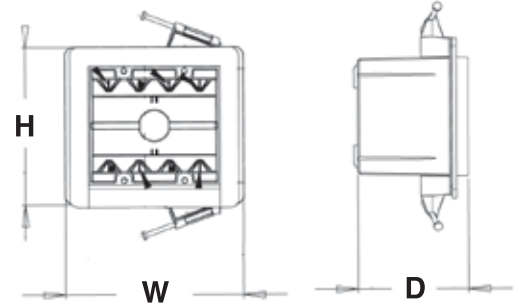


EZ36DN-RG is a 2-gang, new work, vapor-proof EZ Box. It is an energy efficient electrical box for walls subject to unwanted air-flow. It eliminates air leaks with a solid drywall flange covered with a foam gasket and additional foam gaskets over 8 self-clamping cable entry v-clamps, creating a vapor-tight seal preventing air from flowing through the box. The EZ36DN-RG also features angled nails for EZ secure installation.

36 Cubic Inch

Part Number	Carton Quantity	Height	Width	Depth
EZ36DN-RG	48	3.600	4.000	3.300

Dimensions are nominal



2 hour fire-rated



Foam seal at clamp entry points

- Meets energy efficiency goals and reduces heating and cooling costs
- Flange to help ensure a flush fit to 1/2 in. drywall
- 8 self-clamping, foam-covered wire v-clamps
- Enhanced angled nails for easy mounting between studs
- ETL Listed, ETL 2 Hour Fire Rated
- Engineered for easy, cost saving installation and constructed with resilient PVC for durability
- Made in USA

EZ BOX® 3-Gang 54 cu. in., New Work, Nail-on, Vapor-Proof Box with Wire Clamps and Gasket

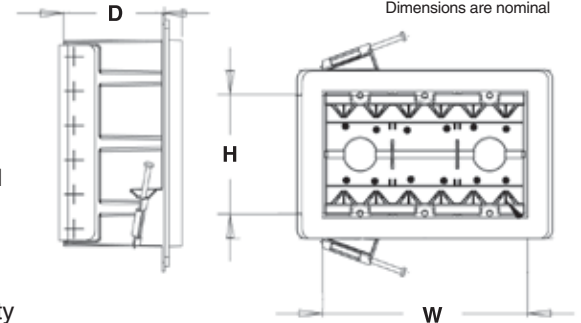


EZ54TN-RG is a 3-gang new work, vapor-proof EZ Box. It is an energy efficient electrical box for walls subject to unwanted air-flow. It eliminates air leaks with a solid drywall flange covered with a foam gasket and additional foam gaskets over self-clamping cable entry v-clamps, creating a vapor-tight seal and allowing no air to flow through the box. The EZ36DN-RG also features angled nails for EZ installation.

54 Cubic Inch

Part Number	Carton Quantity	Height	Width	Depth
EZ54TN-RG	24	3.600	5.800	3.300

Dimensions are nominal



2 hour fire-rated



Foam seal at clamp entry points

- Meets energy efficiency goals and reduces heating and cooling costs
- 12 self-clamping, foam-covered wire v-clamps
- Flange to help ensure a flush fit to 1/2 in. drywall
- Enhanced angled nails for easy mounting between studs
- ETL Listed, ETL 2 Hour Fire Rated
- Engineered for easy, cost saving installation and constructed with resilient PVC for durability
- Made in USA

EZ BOX® 26 cu. in., New Work, Nail-on, Vapor-Proof, Ceiling Box with Wire Clamps and Gasket

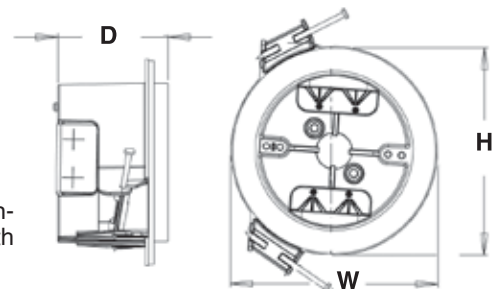


EZ26CN-RG is a new work, energy efficient vapor-proof ceiling box. It eliminates air leaks with a drywall flange covered with a foam gasket and additional foam gaskets over self-clamping cable entry v-clamps, creating a vapor-tight seal and allowing no air to flow through the box.

26 Cubic Inch

Part Number	Carton Quantity	Height	Width	Depth
EZ26CN-RG	48	3.960	3.960	2.740

Dimensions are nominal



2 hour fire-rated

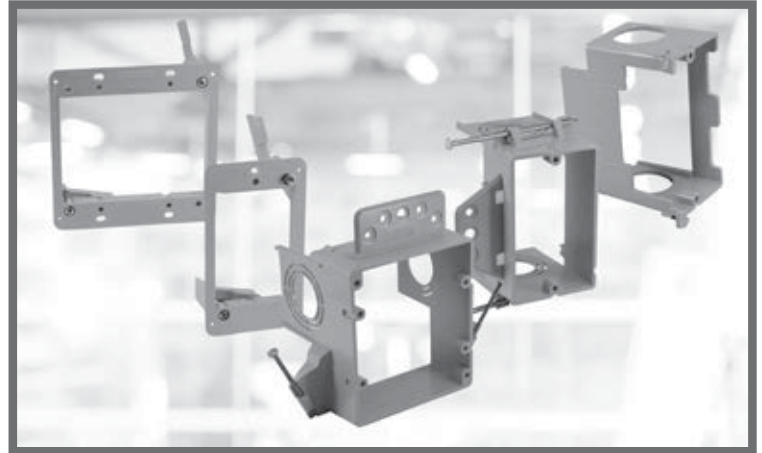


Foam seal at clamp entry points

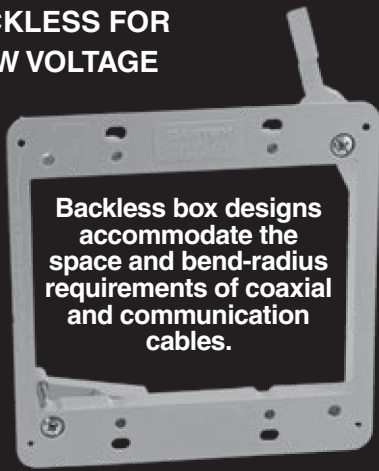
- Meets energy efficiency goals and reduces heating and cooling costs
- 4 self-clamping, foam-covered wire v-clamps
- Flange to help ensure a flush fit to 1/2 in. drywall
- Enhanced angled nails for easy mounting between studs
- ETL Listed, ETL 2 Hour Fire Rated
- Engineered for easy, cost saving installation and constructed with durable polycarbonate for extra strength and constructed with resilient PVC for durability
- Made in USA

EZ BOX® Low Voltage Brackets

CANTEX EZ BOX Low Voltage Brackets are designed specifically for the installation of low-voltage devices. CANTEX offers Low Voltage Bracket designs for both old (renovations) and new work (construction) applications. These backless boxes accommodate the space and bend-radius requirements of coaxial and communication cables. They also eliminate the need for metal plates, screws and lags. These low-voltage brackets are engineered for easy, cost saving installation and constructed with resilient PVC for durability. The orange color makes them easy to identify as low voltage.

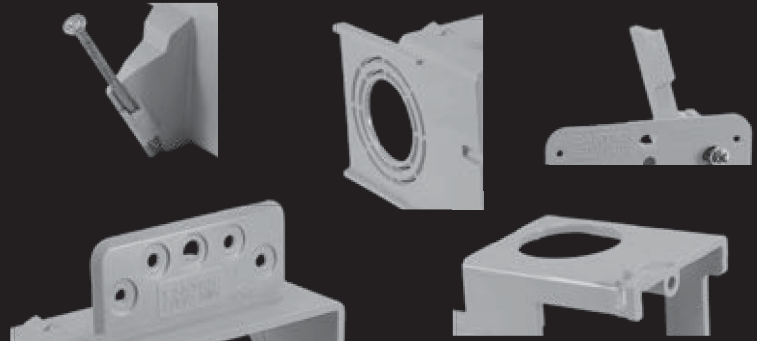


BACKLESS FOR LOW VOLTAGE



Backless box designs accommodate the space and bend-radius requirements of coaxial and communication cables.

CANTEX Low Voltage EZ BOX brackets feature several intallation and wiring options.



EZ BOX® 1-Gang, Old Work, Low Voltage Bracket



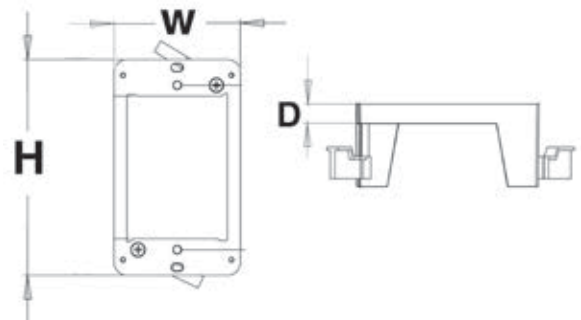
EZLV1-OW is a 1-gang EZ BOX old work, low voltage bracket used for low voltage installations in renovation (old work) applications. The backless design is great for the large or deep low-voltage wiring needed for communications and cable installations. It fits standard 1-gang faceplates.

1-Gang Low Voltage Bracket

Part Number	Carton Quantity	Height	Width	Depth
EZLV1-OW	12	4.300	2.500	1.65

Dimensions are nominal

- Convenient swing brackets to clamp bracket in place
- Wing tabs allow for easy & secure mounting
- Orange color easily identifies the low voltage application
- ETL Listed
- Engineered for easy, cost saving installation and constructed with resilient PVC for durability
- Made in USA



ORANGE COLOR
easily identifies
low voltage application.

EZ BOX® 2-Gang, Old Work, Low Voltage Bracket

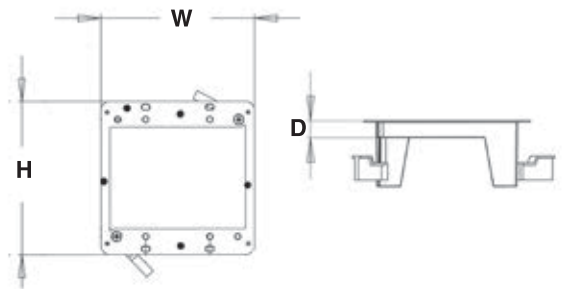


EZLV2-OW is a 2-gang EZ BOX old work, low voltage bracket used for low voltage installation in renovation (old work) applications. The backless design is great for the large or deep low-voltage wiring needed for communications and cable installations, and it fits standard 2-gang faceplates.

2-Gang Low Voltage Bracket

Part Number	Carton Quantity	Height	Width	Depth
EZLV2-OW	6	4.300	4.310	1.650

Dimensions are nominal



ORANGE COLOR
easily identifies
low voltage application.

- Convenient swing brackets clamp bracket in place
- Wing tabs allow for easy & secure mounting
- Orange color easily identifies the low voltage application
- ETL Listed
- Engineered for easy, cost saving installation and constructed with resilient PVC for durability
- Made in USA

EZ BOX® 1-Gang, Low Voltage, Add-on Bracket

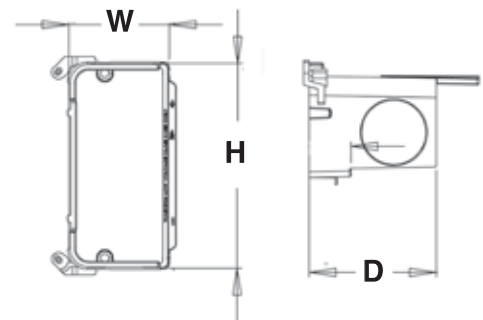


EZLVSB is a 1-gang, low voltage EZ BOX add-on bracket. It attaches to most non-metallic boxes to allow for low and high voltage applications side by side. EZLVSB is for both old and new work applications. The backless design is great for the large or deep low-voltage wiring needed for communications and cable installations. It fits most standard faceplates.

1-Gang Low Voltage Add-on Bracket

Part Number	Carton Quantity	Height	Width	Depth
EZLVSB	24	3.700	1.780	3.000

Dimensions are nominal



ORANGE COLOR
easily identifies
low voltage application.

- Top opening for convenient cable management and easy connections.
- Attaches to most non-metallic boxes
- ETL Listed
- Engineered for easy, cost saving installation and constructed with resilient PVC for durability
- Made in USA

EZ BOX® 1-Gang, New Work, Low Voltage Bracket

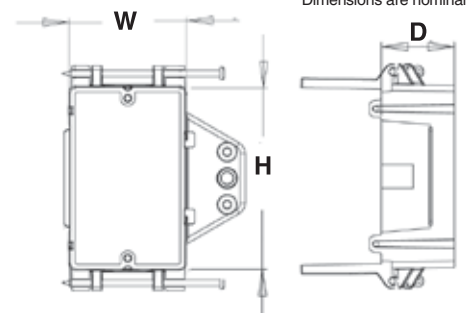


EZLV1-NWN EZ BOX is a 1-gang, new work, low voltage bracket with nails used for low voltage installations for new construction projects (new work) applications. The backless design is great for the large or deep low-voltage wiring needed for communications and cable installations, and it fits standard 1-gang faceplates. Round concentric knockouts allow for multiple fitting sizes.

1-Gang Bracket with Nails

Part Number	Carton Quantity	Height	Width	Depth
EZLV1-NWN	24	3.730	2.360	3.150

Dimensions are nominal



ORANGE COLOR
easily identifies
low voltage application.

- Molded bracket easily mounts on wood or steel studs
- Enhanced angled nails for easy mounting between studs
- ETL Listed
- Engineered for easy, cost saving installation and constructed with resilient PVC for durability
- Made in USA

EZ BOX® 2-Gang New Work Low Voltage Bracket



ORANGE COLOR
easily identifies
low voltage application.

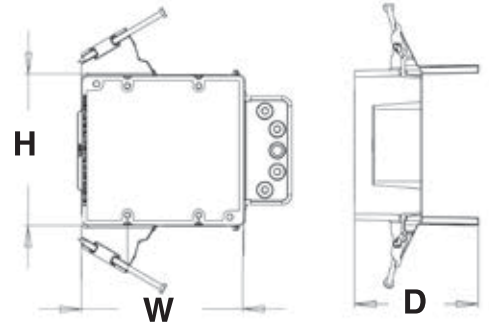
EZLV2-NWN EZ BOX is a 2-gang, new work, low voltage bracket used for low voltage installations for new construction projects (new work) applications. The backless design is great for the large or deep low-voltage wiring needed for communications and cable installations, and it fits standard 2-gang faceplates. Round concentric knockouts allow for multiple fitting sizes.

- Molded bracket easily mounts on wood or steel studs
- Enhanced angled nails for easy mounting between studs
- ETL Listed
- Engineered for easy, cost saving installation and constructed with resilient PVC for durability
- Made in USA

2-Gang Bracket with Nails

Part Number	Carton Quantity	Height	Width	Depth
EZLV2-NWN	24	3.800	4.100	3.150

Dimensions are nominal



EZ BOX® 2-Gang, New Work, Dual Voltage Bracket with Nails



ORANGE COLOR
easily identifies
low voltage application.

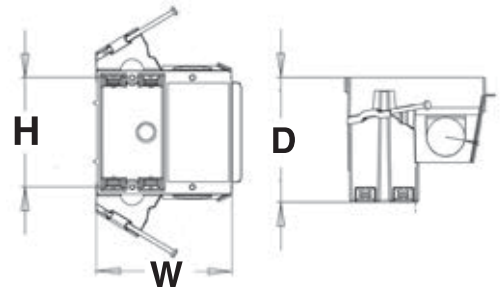
EDV2B EZ BOX is a 2-gang, new work, dual voltage bracket used in construction (new work) applications where dual-voltage applications need to be side by side. The backless design is great for the large or deep low-voltage wiring needed for communications and cable installations, and it fits standard 2-gang faceplates. Four knockouts and two round openings for EZ installation.

- Designed for dual voltage applications
- Enhanced angled nails for easy mounting between studs
- ETL Listed
- Engineered for easy, cost saving installation and constructed with resilient PVC for durability
- Made in USA

2-Gang Dual Voltage Box/Bracket

Part Number	Carton Quantity	Height	Width	Depth
EDV2B	16	3.800	4.000	3.670

Dimensions are nominal



EZ BOX® Low Voltage Divider for Use with Multi-gang Heavy Wall Boxes



ORANGE COLOR
easily identifies
low voltage application.

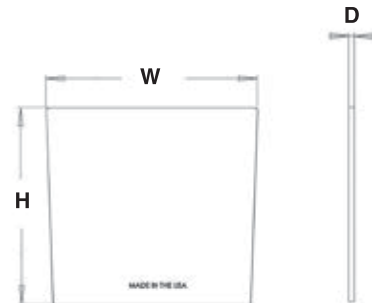
EZLVD-SW EZ BOX low voltage divider is used with heavy wall PVC electrical boxes to allow the installation of a communication device in a closed back multi-gang deep box along with a standard switch or outlet device. EZLVD is used with the following CANTEX multi-gang heavy wall EZ BOXES: EZ35DN-HW, EZ53TN-HW, and EZ64QN-HW.

- Transforms a high voltage box into an accepted high and low voltage box
- Can be used with CANTEX standard 2 and 3 gang PVC Heavy Wall electrical boxes
- ETL Listed
- Engineered for easy, cost saving installation and constructed with resilient PVC for durability
- Made in USA

Low Voltage Divider

Part Number	Carton Quantity	Height	Width	Depth
EZLVD-SW	50	3.400	3.400	.100

Dimensions are nominal



EZ BOX® Red Alarm Boxes

CANTEX Red Alarm EZ BOXES have the same enhanced installation features as our other boxes, but their bright red color makes them easily identifiable for fire safety applications. These designated red boxes are the best option for fire alarms or smoke detectors, since the bright red color makes them easy to identify as alarm and smoke detector boxes.



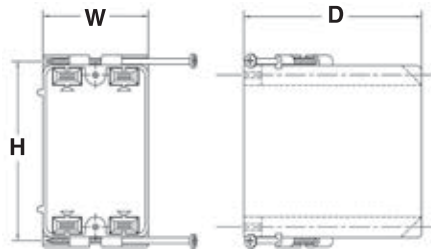
EZ BOX® 1-Gang, New Work, Nail-On, Red Alarm Boxes with Knockouts

EZ18SNA, EZ20SNA, and EZ23SNA are 1-gang new work alarm EZ BOXES that are ideal for residential and light commercial new construction (new work) applications for alarms and smoke detectors. These 1-gang red alarm boxes feature the same enhanced installation features as our other boxes, but their bright red color makes them easily identifiable.

- Red makes it easily identifiable for fire safety applications
- Features 4 knockouts for EZ wiring
- Enhanced angled nails for easy mounting between studs
- ETL Listed, ETL 2 Hour Fire Rated
- Engineered for easy, cost saving installation and constructed with resilient PVC for durability
- Made in USA



2 hour fire-rated



18 Cubic Inch

Part Number	Carton Quantity	Height	Width	Depth
EZ18SNA	100	3.700	2.250	2.875

Dimensions are nominal

20.3 Cubic Inch

Part Number	Carton Quantity	Height	Width	Depth
EZ20SNA	100	3.700	2.250	3.125

Dimensions are nominal

23 Cubic Inch

Part Number	Carton Quantity	Height	Width	Depth
EZ23SNA	100	3.700	2.188	3.500

Dimensions are nominal

RED COLOR
easily identifies
ALARM applications

EZ BOX® 18 cu. in., New Work, Nail-on, Red Alarm Ceiling Box with Wire Clamps



2 hour fire-rated

RED COLOR
easily identifies
ALARM applications

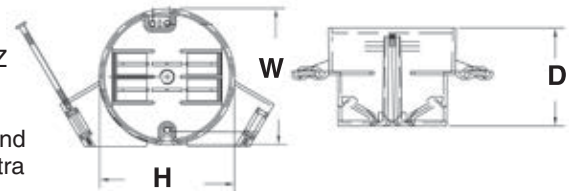
EZ18CNA EZ BOX is an 18 cu. in. new work ceiling box for residential and light commercial construction (new work) applications for alarms and smoke detectors. This red ceiling box features the same enhanced installation features as our other ceiling boxes, but red makes it easily identifiable.

- Supports fixtures up to 50 lbs.
- Enhanced angled nails and 4 wire clamps for EZ an secure installation and wiring
- ETL Listed, ETL 2 Hour Fire Rated
- Engineered for easy, cost saving installation and constructed with durable polycarbonate for extra strength
- Made in USA

18 Cubic Inch

Part Number	Carton Quantity	Height	Width	Depth
EZ18CNA	75	3.500	3.500	2.680

Dimensions are nominal



EZ BOX® 20 cu. in., New Work, Nail-on, Red Alarm Ceiling Box with Wire Clamps



2 hour fire-rated

RED COLOR
easily identifies
ALARM applications

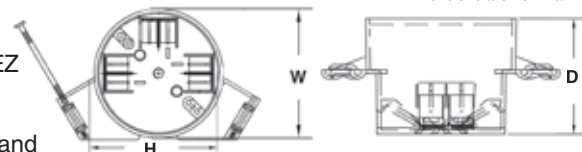
EZ20CNA EZ BOX is an 20 cu. in., new work ceiling box for residential and light commercial new construction (new work) applications for alarms and smoke detectors. This red alarm designated ceiling box features the same enhanced installation features as our other ceiling boxes, but the bright red color makes it easily identifiable.

- Supports fixtures up to 50 lbs.
- Enhanced angled nails and 6 wire clamps for EZ and secure installation and wiring
- ETL Listed, ETL 2 Hour Fire Rated
- Engineered for easy, cost saving installation and constructed with durable polycarbonate for extra strength
- Made in USA

20 Cubic Inch

Part Number	Carton Quantity	Height	Width	Depth
EZ20CNA	75	4.000	4.000	2.300

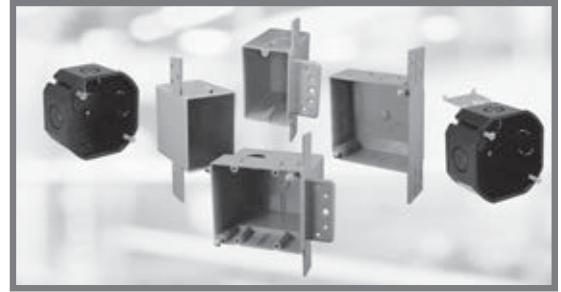
Dimensions are nominal



EZ BOX® ENT (Electrical Non-Metallic Tubing) Boxes

Our EZ BOX ENT Boxes are designed for use with our light, flexible and strong ENT (Electrical Non-Metallic Tubing products). With specifically designed concentric knockouts, they are perfect for creating ENT electrical systems with ENT Tubing and ENT fittings in walls, floors and non-plenum ceiling spaces. All our PVC ENT products are made of resilient non-conductive PVC that won't corrode or conduct electricity and they can be used with ENT snap-in fittings or standard Schedule 40 fittings.

Covers and risers for CANTEX ENT boxes are located on page 151 & 152.



EZ BOX® ENT 1-Gang 16 cu. in. Switch or Outlet Box



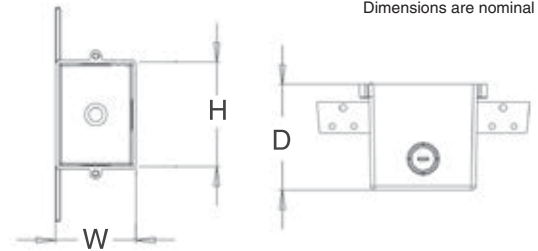
2 hour fire-rated

EN16SB is a 1-gang, 16 cu. in., ENT switch or outlet box designed for use with electrical nonmetallic tubing (ENT) and standard electrical devices and switches in residential and light commercial applications. EN16SB features a molded flange and three 1/2 inch knockouts for EZ installation and multiple connections.

- Suitable for masonry walls
- Engineered for easy, cost saving installation and constructed with resilient PVC for durability
- ETL Listed, ETL 2 Hour Fire-rated
- Made in USA

Part Number	Carton Quantity	Height	Width	Depth
EN16SB	25	3.000	2.260	2.970

Dimensions are nominal



EZ BOX ENT 4 Inch Square 20 cu. in. ENT Switch or Outlet Box



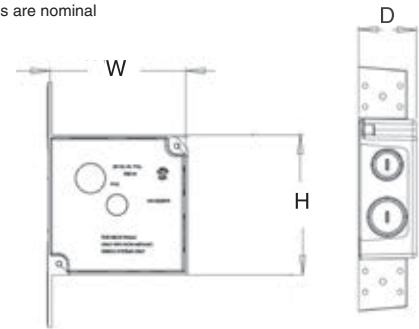
2 hour fire-rated

EN20DB is a 4 inch Square, 20 cu. in., ENT switch or outlet box designed for use with electrical nonmetallic tubing (ENT). 4" square boxes provide maximum volume for multiple conductors and connectors running in multiple directions. EN20DB features molded flanges and 7 knockouts for EZ installation and multiple connections.

- Suitable for masonry walls
- Engineered for easy, cost saving installation and constructed with resilient PVC for durability
- ETL Listed, ETL 2 Hour Fire-rated
- Made in USA

Part Number	Carton Quantity	Height	Width	Depth
EN20DB	100	4.000	4.000	1.380

Dimensions are nominal



EZ BOX 1-Gang, 22 cu. in., ENT Electrical Box



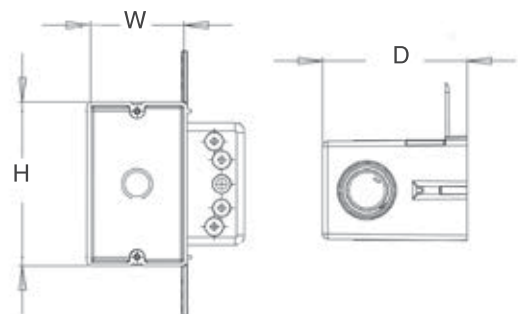
2 hour fire-rated

EZ BOX EN22SB is a 1-gang ENT box designed for use with electrical non-metallic tubing (ENT). This 22 cu. in. box is the largest capacity ENT 1-gang box available today. It features ample room for all necessary wiring. This box includes 1/2, 3/4 and 1 inch concentric knockouts to fit multiple sizes of ENT tubing and fittings.

- Suitable for masonry walls
- Molded flange and bracket make it EZ to mount to wood or steel studs
- Engineered for easy, cost saving installation and constructed with resilient PVC for durability
- ETL Listed, ETL 2 Hour Fire-rated
- Made in USA

Part Number	Carton Quantity	Height	Width	Depth
EN22SB	25	3.690	2.250	3.250

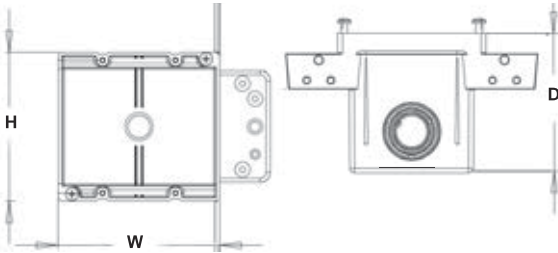
Dimensions are nominal



EZ BOX® ENT 2-Gang 38 cu. in. Switch or Outlet Box

Part Number	Carton Quantity	Height	Width	Depth
EN38DB	25	3.700	3.960	3.500

Dimensions are nominal



EZ BOX EN38DB is a 2-Gang 38 cu. in. ENT box designed for use with electrical non-metallic tubing (ENT). It features ample room for all necessary wiring and 1/2, 3/4 and 1 inch concentric knockouts to fit multiple sizes of ENT tubing and fittings.

- Concentric knockouts for use with multiple size ENT tubing and fittings
- Molded flange and bracket make it EZ to mount to wood or steel studs
- Suitable for masonry walls
- Engineered for easy, cost saving installation and constructed with resilient PVC for durability
- ETL Listed, ETL 2 Hour Fire-rated
- Made in USA

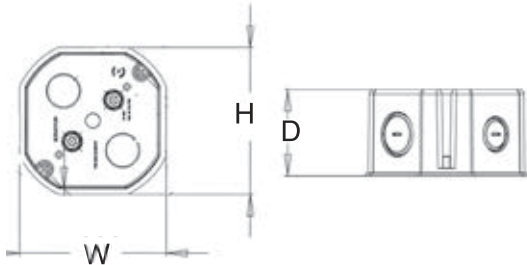


2 hour fire-rated

EZ BOX ENT 20 cu. in. Ceiling Box

Part Number	Carton Quantity	Height	Width	Depth
EN20C	50	3.670	3.670	2.200

Dimensions are nominal



CANTEX EN20C is a 20 cu. in. Octagon ENT Ceiling Box for residential and light commercial ceiling fixture applications. It features 6 knockouts for multiple wiring options.

- Multiple 1/2 and 3/4 in. knockouts for ENT tubing options
- Not suitable for ceiling fans
- Supports fixtures up to 50 lbs.
- Engineered for easy, cost saving installation and constructed with durable polycarbonate for extra strength
- ETL Listed, ETL 2 Hour Fire-rated
- Made in USA

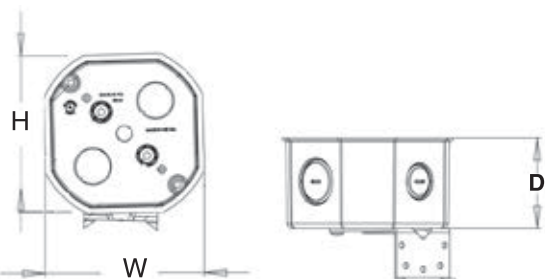


2 hour fire-rated

EZ BOX ENT 20 Cubic Inch Ceiling Box with L-Bracket

Part Number	Carton Quantity	Height	Width	Depth
EN20CB	50	3.670	3.670	2.200

Dimensions are nominal



CANTEX EN20CB is a 20 cu. in. Octagon ENT Ceiling Box with an L-Bracket. It is for residential and light commercial ceiling fixture applications. It features an L-bracket for EZ and secure installation and 6 knockouts for multiple wiring options.

- Multiple 1/2 and 3/4 in. knockouts for ENT tubing options
- Not suitable for ceiling fans
- Supports fixtures up to 50 lbs.
- Engineered for easy, cost saving installation and constructed with durable polycarbonate for extra strength
- ETL Listed, ETL 2 Hour Fire-rated
- Made in USA



2 hour fire-rated

EZ BOX® Handy 1-Gang, Multi-Purpose Switch & Outlet Box with Wire Clamps & Knockouts



EZ12SO EZ BOX is a multi-purpose electrical switch and outlet box for residential or light commercial electrical installations, including switch, outlet, toggle switch and ground fault circuit interrupters. It features knockouts & 2 clamps for wiring and mounting versatility. Works with four CANTEX covers: EZSL-TGL Switch Cover, EZSL-DPLX Duplex Cover, EZSL-Blank, & EZSL-GFCI Receptacle cover.

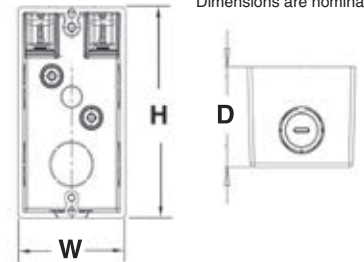
- Concentric knockouts for use with multiple size ENT tubing & fittings
- Multiple knockout & clamp choices for EZ wiring and mounting options
- Engineered for easy, cost saving installation and constructed of thermoplastic which resists corrosion and doesn't rust or conduct electricity
- Meets NEMA specifications
- ETL Listed
- Made in USA



12 Cubic Inch Single Gang Box

Part Number	Carton Quantity	Height	Width	Depth
EZ12SO	50	4.000	2.150	1.930

Dimensions are nominal



EZ BOX® Handy Cover Options

EZ BOX 1-Gang Handy Box Blank Cover

The EZSL-BLANK 1-gang blank cover is a sleek, yet durable wall plate used to close off an electrical box not in use. This sleek blank cover is designed for use with CANTEX EZ12SO Handy Wall Multi-Purpose Residential Electrical Switch and Outlet Box for residential and light commercial applications.

- Comes with stainless steel screws for installation
- Constructed of thermoplastic which resists corrosion and doesn't rust or conduct electricity
- Made in USA
- Meets NEMA specifications
- ETL Listed

Part Number	Carton Quantity	Height	Width	Depth
EZSL-BLANK	25	4.290	2.360	.250

Dimensions are nominal



Blank Cover

EZ BOX 1-Gang Handy Box Switch Cover

The EZSL-TGL 1-gang Handy Box switch cover creates a sleek, yet durable wall plate for residential and light commercial applications. EZSL-TGL is designed for use with the CANTEX EZ12SO Handy Wall Multi-Purpose Residential Electrical Switch & Outlet Box for residential and light commercial applications.

- Comes with stainless steel screws for installation
- Constructed of thermoplastic which resists corrosion and doesn't rust or conduct electricity
- Made in USA
- Meets NEMA specifications
- ETL Listed

Part Number	Carton Quantity	Height	Width	Depth
EZSL-TGL	25	4.290	2.360	.250

Dimensions are nominal



Switch Cover

EZ BOX 1-Gang Handy Box Duplex Cover

The EZSL-DPLX 1-gang Handy Box duplex cover creates a sleek, yet durable outlet plate for residential and light commercial outlet applications. EZSL-DPLX is designed for use with the CANTEX EZ12SO Handy Wall Multi-Purpose Electrical Switch & Outlet Box for residential and light commercial applications.

- Comes with stainless steel screws for installation
- Constructed of thermoplastic which resists corrosion and doesn't rust or conduct electricity
- Made in USA
- Meets NEMA specifications
- ETL Listed

Part Number	Carton Quantity	Height	Width	Depth
EZSL-DPLX	25	4.290	2.360	.250

Dimensions are nominal



Duplex Cover

EZ BOX 1-Gang Handy Box GFCI Receptacle Cover

The EZSL-GFCI 1-gang GFCI cover creates a sleek, yet durable wall plate for residential and light commercial ground fault circuit interrupter applications. EZSL-GFCI is designed for use with CANTEX EZ12SO Handy Wall Multi-Purpose Residential Electrical Switch and Outlet Box for residential and light commercial applications.

- Comes with stainless steel screws for installation
- Constructed of thermoplastic which resists corrosion and doesn't rust or conduct electricity
- Made in USA
- Meets NEMA specifications
- ETL Listed

Part Number	Carton Quantity	Height	Width	Depth
EZSL-GFCI	25	4.290	2.360	.250

Dimensions are nominal



GFCI Receptacle Cover

EZ BOX® Non-metallic Round Plaster Ring



2 hour fire-rated

Strategically placed notch and keyhole opening for easier installation

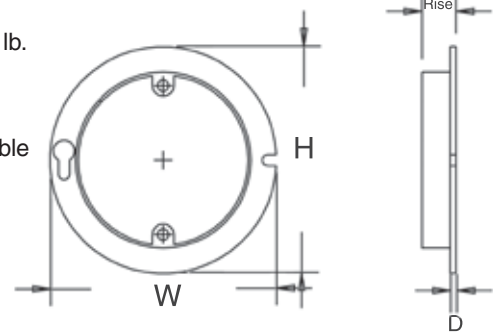
EZ03YC and EZ04YC EZ BOX round plaster rings (also called a mud rings) provide risers or extensions for any CANTEX 4 inch ceiling box or CANTEX ENT ceiling box. CANTEX plaster rings are constructed with durable polycarbonate for added resilience.

- Designed to support fixtures up to 50 lb.
- EZ03YC easily creates a 1/2 in. rise
- EZ04YC easily creates a 5/8 in. rise
- Engineered for easy, cost saving installation and constructed with durable polycarbonate for extra strength
- UL Listed, UL 2 Hour Fire-rated
- Made in USA

4" Round Plaster Ring

Part Number	Carton Quantity	Height	Width	Depth	Rise
EZ03YC	100	4.000	4.000	.500	1/2
EZ04YC	100	4.000	4.000	.625	5/8

Dimensions are nominal



EZ BOX® 1-Gang Electrical Box Cover Risers



2 hour fire-rated

4 strategically placed notches for easier installation

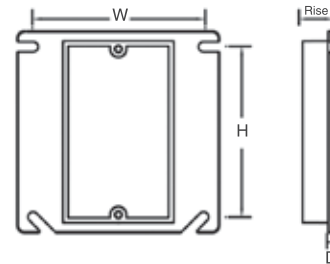
EZ03SXA, EZ04ES, EZ05ES, EZ06ES and EZ08ES are 1-gang cover risers or extensions for any CANTEX 4" square EZ BOX, 4" square ENT box, or 2-gang ENT box. These risers easily reduce CANTEX 4" square as well as 2-gang ENT boxes to single-gang usage. The risers feature 4 notches for easy installation of screws to secure the riser.

- Engineered for easy, cost saving installation and constructed with resilient PVC for durability
- UL Listed, UL 2 Hour Fire-rated
- Made in USA

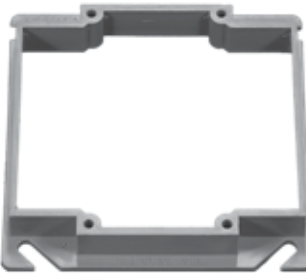
1-Gang Box Cover Risers

Part Number	Carton Quantity	Height	Width	Depth	Rise
EZ03SXA	100	4.000	4.000	.500	1/2
EZ04ES	50	4.000	4.000	.625	5/8
EZ05ES	50	4.000	4.000	.750	3/4
EZ06ES	40	4.000	4.000	1.000	1
EZ08ES	30	4.000	4.000	1.250	1 1/4

Dimensions are nominal



EZ BOX® 2-Gang Electrical Box Cover Risers



2 hour fire-rated

4 strategically placed notches for easier installation

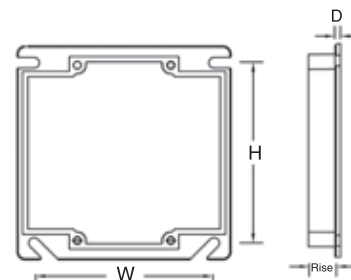
EZ06DXA, EZ08ED, and EZ09ED EZ BOX are 2-gang cover risers that provide risers or extensions for any CANTEX 4" square EZ BOX, 4" square ENT box, or 2-gang ENT box. These risers have 4 notches for easy installation of screws to secure the risers.

- Engineered for easy, cost saving installation and constructed with durable polycarbonate for extra strength
- UL Listed, UL 2 Hour Fire-rated
- Made in USA

2-Gang Box Cover Risers

Part Number	Carton Quantity	Height	Width	Depth	Rise
EZ06DXA	75	4.000	4.000	.500	1/2
EZ08ED	50	4.000	4.000	.625	5/8
EZ09ED	50	4.000	4.000	.850	3/4

Dimensions are nominal



EZ BOX® 4" Round Blank Cover



2 hour fire-rated

Keyhole screw mounting design keeps cover secure



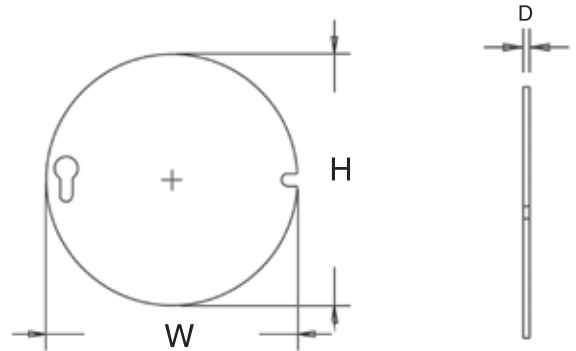
EZYKL is a 4 inch round box cover that is ideal for covering CANTEX 4 inch ceiling boxes and CANTEX ENT ceiling boxes that are not in use. This durable PVC cover will not rust or corrode and the keyhole and notch design makes installation fast, easy and secure.

- Designed for indoor use
- Engineered for easy, cost saving installation and constructed with resilient PVC for durability
- UL Listed, UL 2 Hour Fire-rated
- Made in USA

4" Round Blank Cover

Part Number	Carton Quantity	Height	Width	Depth
EZYKL	100	4.000	4.000	.1000

Dimensions are nominal



EZ BOX® 4 in. Round EZ BOX Blank Cover with 1/2 Knockout



2 hour fire-rated

Keyhole screw mounting design keeps cover secure



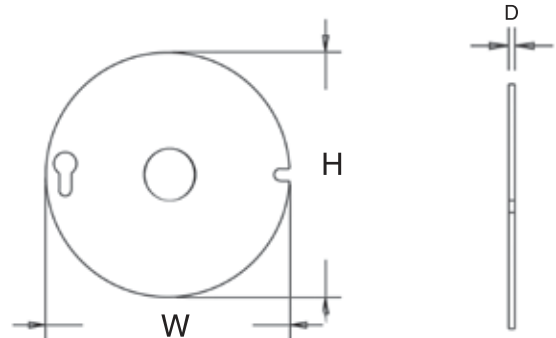
EZYL1 is a 4 inch round box cover with a knockout. It is ideal for covering CANTEX 4 inch ceiling boxes and CANTEX ENT ceiling boxes that are not in use, and the knockout provides easy access without having to remove the cover. This durable PVC cover will not rust or corrode and the keyhole and notch design makes installation fast, easy and secure.

- Designed for indoor use
- Engineered for easy, cost saving installation and constructed with resilient PVC for durability
- UL Listed, UL 2 Hour Fire-rated
- Made in USA

4" Round Blank Cover with Knockout

Part Number	Carton Quantity	Height	Width	Depth
EZYL1	100	4.000	4.000	.1000

Dimensions are nominal



EZ BOX® 4" Square Switch and Outlet Box Cover



2 hour fire-rated

Keyhole screw mounting design keeps cover secure



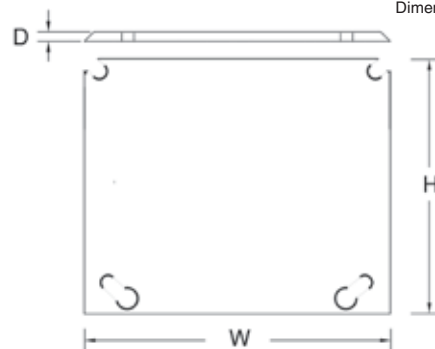
EZXKL is a 2-gang blank box cover that is ideal for covering any 4" square EZ BOX, 4" square ENT box, or 2-gang ENT box that is not in use. This durable PVC cover will not rust or corrode and the keyhole and notch design makes installation fast, easy and secure.

- Designed for indoor use
- Engineered for easy, cost saving installation and constructed with resilient PVC for durability
- UL Listed, UL 2 Hour Fire-rated
- Made in USA

4" 2-Gang Blank Cover

Part Number	Carton Quantity	Height	Width	Depth
EZXKL	100	4.000	4.000	.1000

Dimensions are nominal



Installation Guidelines

Engineering & Design Information

Product Warranty

Authorized Distribution Policy

Additional Information

Scope: For the purpose of general use and installation information, conduit is defined as a PVC tube in nominal sizes of ½” through 8”, to be used in non-pressure applications to provide containment of raceways for electrical power wire and cable, communications wiring or fiber optic cables. Conduit products are not intended for the transport of potable water, sewage or drain water, air or other gases or corrosive liquids.

1.0 Transportation, Handling and Storage

1.1 Transportation: **CANTEX** conduit should be transported in modules or bundles in a straight and level position. When possible, larger diameter and heavy walled conduit should be loaded first on the truck or trailer when multiple modules must be loaded. Each vertical stack of modules should be secured with at least two nylon straps or slings at least 4” in width with only enough tightening pressure on the straps to ensure a secure load. Chains and metal strapping should be avoided to secure conduit loads to the transporting vehicle.

1.2 Handling: Conduit should be unloaded one module at a time with a fork lift or backhoe equipped with forks. If unloaded using slings, two slings should be used and positioned so that the center of gravity of the module is centered on the lifting equipment. Personnel on the ground around the unloading site should be kept clear of the load to prevent injury in the event of an equipment failure or shifting of the load. Do not push modules from the vehicle to the ground as damage to the conduit may result. Do not break bundles on the vehicle and allow the conduit to fall to the ground as personal injury or product damage may result.

1.3 Storage: Conduit should be stored in a straight and level position and stacks should not exceed 8 feet in height. Thin walled conduit or small modules of conduit should not be stacked over 6 feet in height. For short-term storage (up to 6 months), the conduit need not be covered for sunlight damage protection. For altitudes of 3-4,000 feet and longer term storage, coverage with an opaque tarp or UV resistant sheeting should be considered to prevent fading or color changing from UV exposure. The storage site should be as free as possible from dirt, dust or other airborne contaminants. The ends of the conduit modules should not be covered in order to allow air passage and prevent heat buildup within the modules. Internal module temperatures should not exceed 140°F. (60°C)

2.0 Installation

2.1 Preparation: The conduit should be clean and dry before installation is attempted. Dirt and dust or other contaminants should be wiped clean from the bell and spigot joint areas. When possible, the conduit temperature should be normalized to the ambient temperature or the expected service environment temperature before installation in order to minimize expansion or contraction difficulties with the project.

2.2 Cutting: PVC conduit should be cut to length using a hacksaw, fine toothed saw or a rotating pipe cutter. Rigid, smooth walled conduit up through 1” may be successfully cut with a shear type cutting tool. Corrugated EZ FLEX® ENT, Opti-Flex fiber optic conduit and Enviro-Flex liquid tight flexible conduit may also be cut with a knife or shear-type cutter. Larger pipe may require the use of a miter box to ensure square cuts. All cuts should be clean and square with the barrel of the conduit. Cut ends should be de-burred with a pocket knife or rasp with no burrs remaining on the O.D. and I.D. of the conduit. A slight chamfering of the O.D. or I.D. cut end may be desirable to facilitate joining or to prevent cable damage and to facilitate rope pulling through the conduit.

3.0 Solvent Cement Joints

CAUTION: ALL PVC CEMENTS ARE HIGHLY FLAMMABLE AND SHOULD BE CONSIDERED AS HAZARDOUS MATERIALS. AVOID USING IN THE PRESENCE OF OPEN FLAME, ELECTRICAL SPARKS, WELDING OR LIT SMOKING MATERIAL. AVOID BREATHING CONCENTRATED FUMES AND PROVIDE ADEQUATE VENTILATION IN CONFINED AREAS. READ AND FOLLOW ALL PRECAUTIONS ON THE CEMENT CONTAINER. MATERIAL SAFETY DATA SHEETS ARE AVAILABLE UPON REQUEST FROM CANTEX INC. TELEPHONE (817) 215-7000 OR ON-LINE AT www.cantexinc.com

3.1 Joint Requirements: There are two types of bell fits, interference fit or clearance fit, depending on the specification of the conduit to be used. An interference fit means that the spigot will not dry fit to the base of the bell and will lodge about two-thirds deep into the bell. A clearance fit means that the spigot will slide all the way to the base of the bell without application of cement. Interference fits, therefore are tighter and provide watertight joints easily; clearance fits will leave small gaps between the inside of the bell and the spigot and may require extra cement in jointing if watertight joints are required.

3.2 Solvent Cement: Select the proper type of cement to fit the job requirements. The cement should meet the requirements of ASTM D 2564. Three types of cement are available, based on the viscosity, regular bodied, medium bodied and heavy bodied. Regular bodied cement, such as **CANTEX #99**, is suitable for most conduit applications up through 6" size.

For cement joints in corrugated ENT or corrugated fiber optic conduit, cement such as **CANTEX #50 ENT** cement should be used.

3.3 Solvent Cement Storage: Store sealed cement containers in temperature between 40°F (5°C) to 70°F (31°C) when not in use. Before use, check to see that the cement is fluid and not lumpy or gelled. If lumpy or gelled, discard the cement by approved means; don't attempt to liquefy or dilute with cement primer.

DO NOT USE OPEN FLAME OR ELECTRIC HEATERS TO WARM CEMENT.

3.4 Surface Preparation: Wipe joint surfaces clean of dirt, moisture or other contaminants. If the joining surfaces are extremely dirty or coated with oil, wipe thoroughly and do not attempt to make a cement application until all evidence of moisture is gone. Extremely hot jointing areas (90°F or above) should be cooled by shading or application of a damp cloth. If a damp cloth is used, area should be allowed to dry before applying cement. Hot surfaces dry the cement rapidly and can cause insufficient welding if liquid cement is not evident on the surface when the bell and spigot are joined. Use of a heavier, slower drying cement may be appropriate when it is impractical to cool the joints.

3.5 Application of Cement: For most conduit joints, a single application of cement on the spigot to a length equal to the bell depth is sufficient. On conduit of 1" or smaller, use a dauber applicator which is supplied in the lid of the cement container. On larger sizes, use a small natural bristle paint brush of a width approximately one-half the diameter of the pipe. (Example: For 4" pipe, use a 2" wide brush.) Apply the cement quickly and evenly around the spigot and insert into the bell or fitting while the cement is still liquid.

3.6 Makeup: Insert the spigot fully into the bell and apply a one-quarter twist on the spigot section as insertion is being made. Hold the joint firmly together for 10 to 20 seconds without movement. If the spigot section backs out upon release, pull the joint apart and reapply another coat of cement and reassemble and hold until the joint does not back out upon release. Cold weather applications may require a longer holding time. A small bead of cement should appear around the lip of the bell if adequate cement has been applied. Wipe off excess bead after the joint has set.

3.7 Set Time: Handle the newly assembled joints carefully until the cement has gone through an adequate set time. Recommended set time is related to temperature of the joint follows:

30 minutes minimum at 60 to 100°F ((15 to 40°C)

1 hour minimum at 40 to 60°F (5 to 15°C)

2 hours minimum at 20 to 40°F (-5 to 5°C)

4 hours minimum at 0 to 20°F (-20 to -5°C)

Note: Joint damage or loosening may occur up to 48 hours after assembly in temperatures below 40°F if the joints are severely stressed.

4.0 Expansion and Contraction Considerations

Thermal expansion and contraction of the PVC conduit system must be considered in all projects. PVC conduit expands or contracts at a rate of 3×10^{-5} in./in./°F, or about 3/8" per 100 feet per 10°F temperature change. The total change in length of the conduit run can be calculated by the following equation:

(Eq.1) Length change, $L_c = C$ (Conduit Length, inches) (AT)
 Where: $C =$ Coefficient of Expansion = 3×10^{-5} in./in./°F
 $AT =$ Temperature change, °F
 $L_c = (.00003 \text{ in./in./°F}) (500 \text{ ft.})(12 \text{ in./ft.})(30^\circ) = 5.4 \text{ inches}$

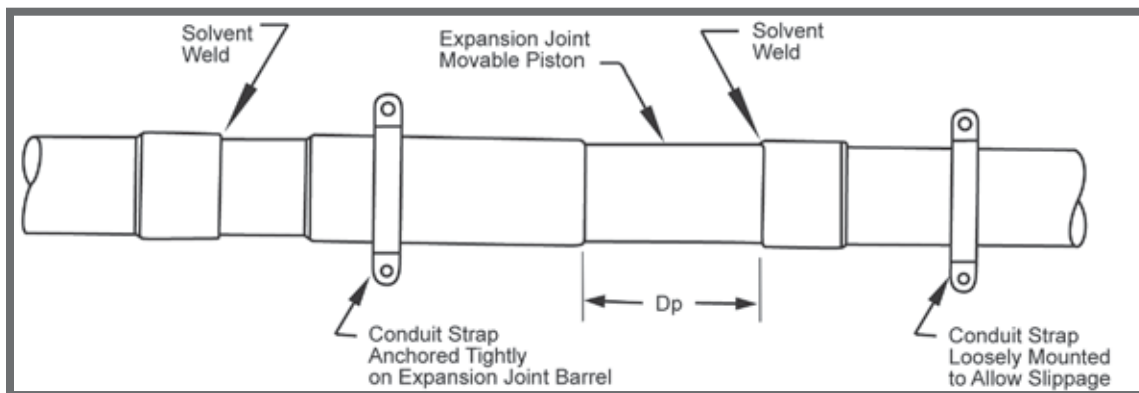
The most common effect of expansion is to create unsightly warpage or sagging in the conduit run although larger conduit may create damage to the terminations. Contraction is usually more damaging than expansion as it can create joint separation or pullouts at the termination. Design consideration must be given to both conditions.

For underground installations, expansion or contraction can usually be accommodated by “snaking” the conduit in the trench. It is desirable to allow the conduit run to normalize with the ground temperature before backfilling or making end connections such as at a manhole. Once the pipe in a trench has normalized and is backfilled, expansion and contraction is minimized due to the relatively constant earth temperature and the friction of the soil on the conduit

In above ground installations, expansion/contraction can be accommodated by the use of change of direction fittings or by expansion joints. The conduit should be secured by hangers or straps which are tightened only to the point that slippage through the supports is possible. In long straight runs where bending or change of direction cannot be allowed and where the conduit ends must be securely terminated, expansion joints should be used (example: conduit suspended under a bridge). The number of expansion joints required can be calculated as follows (according to N.E.C. Table 352.44):

1. Determine the total change in length, L_c , anticipated due to the maximum and minimum temperatures to when the conduit run will be exposed.
2. Use the following equation to determine the number of expansion joints required:
 Eq.2) $N = L_c / EA$ Where: $N =$ number of expansion joints required
 $EA =$ expansion allowance in each expansion joint

Install the expansion joints at equal intervals along the run. The movable section of the expansion joints must be set at the time of installation according to the installation temperature such that both expansion and contraction may be accommodated. Refer to the drawing shown below.



The correct piston setting, D_p , can be determined for any installation temperature by using the following equation:

$$(Eq. 3) \quad D_p = ((T_{max}) / (+T) - (T_{installed}) / 2!) EA$$

Where: D_p = Distance of piston from fully closed position
 T_{max} = Maximum temperature, °F, to which the conduit will be exposed
 T_{min} = Minimum temperature, °F, to which the conduit will be exposed
 $+T = T_{max} - T_{min}$

EA = Expansion allowance, in inches, for each expansion joint

Example: A 500 ft. run of conduit will be installed under a bridge and exposed to a direct sunlight temperature of 140°F and winter temperature of 0°F.

a) Determine the total length change by Eq. 1:

$$L_c = (.00003)(500)(12)(140) = 25.2 \text{ inches}$$

b) Using an expansion joint that allows 3 inches of travel each way (total piston travel = 6 inches), determine the number of expansion joints required by Eq. 2:

$$N = 25.2_{max} / 3 = 8.4 \text{ (Use 9 joints)}$$

c) If the conduit was installed at 80°F, determine the piston setting, D_p by Eq. 3:

$$D_p = ((140 - 80) / 140)(3) = 1.28 \text{ inches}$$

The nine expansion joints should be installed 50 feet apart in the conduit run with each expansion joint barrel tightened securely and the rest of the hangers tightened loosely to allow slippage.

4.1 Expansion/Contraction in Concrete Encasement: When encased in concrete, PVC conduit is immobilized by the concrete and will expand and contract at the expansion coefficient rate of the concrete.

5.0 Support Spacing:

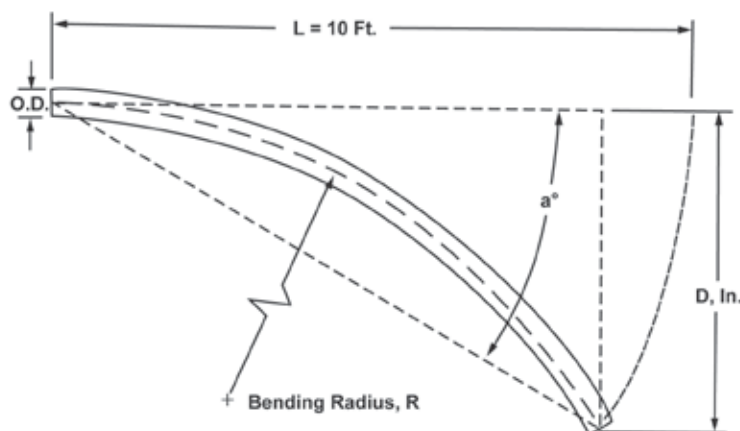
Supports for PVC conduit may be somewhat lighter than for metallic conduit due to its lighter weight. The following support chart is based on the National Electric Code, Table 352.30, assuming a maximum air temperature of 122°F (50°C) and conductor temperature of 194°F (90°C).

Conduit Size (Inches)	Maximum Spacing Between Supports (Feet)
1/2 thru 1	3
1-1/4 thru 2	5
2-1/2 thru 3	6
3-1/2 thru 5	7
6 thru 8	8

Latest NEC code and local codes are subject to change and should be consulted.

6.0 Bending

One of the advantages of PVC conduit is the ability to easily make changes in direction by bending with the use of mechanical benders. In underground or above ground installations, the conduit path may be deviated to change directions or avoid obstacles. The following diagram and table offers a guideline to a safe allowance for bending in one ten foot section conduit. Conduit bent to these maximum allowances will have a maximum fiber stress of 2000 psi which is a safe level for non-pressure conduits. Bending beyond these values may result in buckling of the conduit. Force required for bending varies with the size of the conduit and temperature. For bends shorter than the minimum bending radius, R_b , it is recommended that factory made bends be used. These bends are available in 11-1/4°, 22-1/2°, 30°, 45° and 90° increments and are available from stock in standard radii. Special degree bends or special radii are available on request to **CANTEX** in most sizes.



BENDING ALLOWANCE PER 10' LENGTH OF CONDUIT				
Conduit Size (Inches)	O.D.	R _b , Ft.	A°	Deflection D (Inches)
1/2	.840	9	33.0	61.4
3/4	1.050	11	26.0	51.1
1	1.315	14	21.0	41.9
1-1/4	1.660	17	16.5	33.7
1-1/2	1.900	20	14.5	29.7
2	2.375	25	11.6	23.9
2-1/2	2.875	30	9.6	19.9
3	3.500	36	7.9	16.4
3-1/2	4.000	42	6.9	14.3
*4	4.350	45	6.3	13.2
4	4.500	47	6.1	12.8
5	5.563	58	4.9	10.3
6	6.625	69	4.2	8.7
8	8.625	90	3.2	6.7

* Telephone Conduit

The radii of long curves using multiple joints of conduit should be limited to the values shown in the table for minimum radii. The joints to be bent should be allowed to thoroughly set (See Sec. 3.7) before bending and placement.

7.0 Direct Burial

7.1 Trench Width: Trench width at the ground level may vary depending on soil types, equipment used, position of surface structures, etc. Where compacting of the initial backfill is required, the trench should be a minimum of 5 pipe diameters. In very wide trenches, sub-ditching should be considered to provide maximum side support for the conduit. Shoring or trench boxes should be used for workman protection in loose soil or very deep trenches.

7.2 Trench Bottom: The trench bottom should be constructed to provide a firm, stable and uniform support for the conduit for the full lengths of the conduit. Unless specified, line and grade is not required provided that the conduit will conform to the trench bottom and bending does not exceed the values given in Sec. 3.7. Large rocks and boulders, frozen lumps of soil, large lumps of clay, etc. should be removed before the conduit is installed. Rocky or uneven trench bottoms should be bedded with loose backfill or sand to provide a soft, even cushion for the conduit.

7.3 Initial Backfill: Initial backfill should be dry and free flowing and contain rock not to exceed 1” in. diameter. Initial backfill should be applied in light layers of 3” to 6” and spread uniformly. Tamping should be done layer by layer of initial backfill up to the springline of the conduit. In multiple conduit installations, the initial backfill should be worked carefully between the ducts and under the haunches. Tamping should be done between the edges of the ditch over the springline of the conduit, but no tamping should be done over the top of the conduit. Initial backfill should be placed loosely over the top of the conduit to a depth of 6”. All compaction by either tamping or flooding should be completed before the final backfill is placed.

7.4 Final Backfill: After placement and compaction of conduit embedded materials, the balance of backfill materials may be machine placed and should contain no large rocks or stones, frozen material or other debris. Proper compaction procedures should be exercised to provide required soil densities.

8.0 Concrete Encasement:

8.1 Tie and fasten all conduit to prevent floating. If concrete is required in the trench bottom, allow at least 2” freeboard between conduit and tie down equipment.

8.2 Spacers, if used, should be spaced at the intervals shown below or less.

Conduit Size Size (Inches)	Spacing (Feet)
½ thru 2	4 thru 6
3 thru 3 ½	5 thru 8
4 thru 8	6 thru 10

A 1” minimum spacing should be allowed for all conduit and a concrete mix using pea gravel should be used for encasement. If complete encasement is required at areas requiring bends in making freeway or water crossings, use a 2” minimum spacing.

8.3 Coverage: Minimum concrete coverage should be 2” on top, bottom and sides of conduit. Firm soil conditions may eliminate need for concrete at the trench bottom.

8.4 Backfilling: Backfilling can be done as soon as the concrete has cured to withstand the weight of a man.

8.5 Temperature Considerations: The temperature rise of the concrete as it cures may cause some expansion of the conduit. Concrete should be poured from the center of the run toward each free end or from one tie-in point toward the free end of the conduit. Make permanent terminal tie-ins after the temperature has normalized.

Schedule 40 and Schedule 80 Conduit - Approximate Weight per 10 Feet (Lbs.)

Nom. Size (Inch)	CANTEX Sch. 40	CANTEX Sch. 80	Aluminum	Electrical Metallic Tubing (EMT)	Intermediate Metal Conduit (IMC)	Rigid Steel (GALV)
1/2	16	21	27	30	57	79
3/4	22	28	36	78	78	105
1	32	41	53	112	112	153
1-1/4	44	57	70	114	114	201
1-1/2	52	69	86	176	176	246
2	77	105	116	230	230	334
2-1/2	122	160	183	270	393	527
3	159	215	239	350	483	690
3-1/2	191		288	400	561	831
4	227	311	340	--	625	982
5	307	437	468	--	--	1,344
6	400	600	612	--	--	1,770
8	600	--	--	--	--	--

Thermal Properties

	ASTM Test	Typical Values
Coefficient of Thermal Expansion, in./in./°F @ 73.4°F	D696	3.0 X 10 ⁻⁵
Heat Distortion °F at 264psi	D696	172°F
Thermal Conductivity BTU (hr)(ft ²)°F/in)	D648	1.3
Water Absorption % by weight	D570	1.03% max.

Mechanical Properties

	ASTM Test	Typical Values
Specific Gravity	D 792	1.42 - 1.60
Tensile Strength, psi @ 73.4°F	D 638	5 - 6,500
Izod Impact Ft. lbs./in. of notch	D 256	.65 - 1.5
Flexural Strength, psi	D 790	11,000
Compressive Strength psi	D 695	8,500
Hardness (Durometer D)	D 2240	77 min

Electrical Properties

	ASTM Test	Typical Values
Dielectric Strength Volts/Mil	D 149	1,100
Dielectric Constant 60 COS @ 30°C	D 150	4.5
Power Factor 60 CPS @ 30°C	D 150	1.9

Impedance (Volts lost per ampere per 100 ft.)

	30 90% P.F.	80% P.F.	10 90% P.F.	80% P.F.
Steel Conduit	.0118	.0123	.0136	---
PVC Conduit	.0105	.0106	.0121	.0122

Maximum Number of Conductors in Nonmetallic PVC Schedule 40 PVC Conduit

Table C.11 (Based on Table 1, 4 & 5 Chapter 9 of the N.E.C.)

Conductor Size AWG, MCM		Conduit Trade Size										
		1/2"	3/4"	1"	1-1/4"	1-1/2"	2"	2-1/2"	3"	4"	5"	6"
14	THW	8	14	24	42	57	94	135	209	361	568	822
	THHN	11	21	34	60	82	135	193	299	517	815	1178
12	THW	6	11	18	32	54	72	103	160	277	436	631
	THHN	8	15	25	43	59	99	141	218	377	594	859
10	THW	4	8	13	24	32	54	77	119	206	325	470
	THHN	5	9	15	27	37	62	89	137	238	374	541
8	THW	2	4	7	13	18	30	43	66	115	181	261
	THHN	3	5	9	16	21	36	51	79	137	216	312
6	THW	1	2	4	8	11	18	26	40	69	109	157
	THHN	1	4	6	11	15	26	37	57	99	156	225
4	THW	1	1	3	6	8	13	19	30	51	81	117
	THHN	1	2	4	7	9	16	22	35	61	96	138
3	THW	1	1	3	5	7	11	16	25	44	69	100
	THHN	1	1	3	6	8	13	19	30	51	81	117
2	THW	1	1	2	4	6	10	14	22	37	59	85
	THHN	1	1	3	5	7	11	16	25	43	68	98
1	THW	0	1	1	3	4	7	10	15	26	41	60
	THHN	1	1	1	3	5	8	12	18	32	50	73
1/0	THW	0	1	1	2	3	6	8	13	22	35	51
	THHN	1	1	1	3	4	7	10	15	27	42	61
2/0	THW	0	1	1	1	3	5	7	11	19	30	43
	THHN	0	1	1	2	3	6	8	13	22	35	51
3/0	THW	0	1	1	1	2	4	6	9	16	25	36
	THHN	0	1	1	1	3	5	7	11	18	29	42
4/0	THW	0	0	1	1	1	3	5	8	13	21	30
	THHN	0	1	1	1	2	4	6	9	15	24	35
250	THW	0	0	1	1	1	3	4	6	11	17	25
	THHN	0	0	1	1	1	3	4	7	12	20	28
300	THW	0	0	1	1	1	2	3	5	9	15	21
	THHN	0	0	1	1	1	3	4	6	11	17	24
350	THW	0	0	0	1	1	1	35	5	8	13	19
	THHN	0	0	1	1	1	2	3	5	9	15	21
400	THW	0	0	0	1	1	1	3	4	7	12	17
	THHN	0	0	0	1	1	1	3	5	8	13	19
500	THW	0	0	0	1	1	1	2	3	6	10	14
	THHN	0	0	0	1	1	1	2	4	7	11	16
600	THW	0	0	0	0	1	1	1	3	5	8	11
	THHN	0	0	0	1	1	1	1	3	5	9	13
700	THW	0	0	0	0	1	1	1	2	4	7	10
	THHN	0	0	0	0	1	1	1	3	5	8	11

Maximum Number of Conductors in Nonmetallic PVC Schedule 80 PVC Conduit

Table C.10 (Based on Table 1, 4 & 5, Chapter 9 of the N.E.C.)

Conductor Size AWG, MCM		Conduit Trade Size										
		1/2"	3/4"	1"	1-1/4"	1-1/2"	2"	2-1/2"	3"	4"	5"	6"
14	THW	6	11	19	35	49	82	118	185	324	514	736
	THHN	9	17	28	51	70	118	170	265	464	736	1055
12	THW	4	9	15	27	38	63	91	142	248	394	565
	THHN	6	12	20	37	51	86	124	193	338	537	770
10	THW	3	6	11	20	28	47	68	106	185	294	421
	THHN	4	7	13	23	32	54	78	122	213	338	485
8	THW	1	3	6	11	15	26	37	59	103	163	234
	THHN	4	7	13	23	32	54	78	122	213	338	485
6	THW	1	1	3	7	9	16	22	35	62	98	141
	THHN	1	3	5	9	13	22	32	51	89	141	202
4	THW	1	1	3	5	7	12	17	26	46	73	105
	THHN	1	1	3	6	8	14	20	31	54	86	124
3	THW	1	1	2	4	6	10	14	22	39	63	90
	THHN	1	1	3	5	7	12	17	26	46	73	105
2	THW	1	1	1	3	5	8	12	19	33	53	77
	THHN	1	1	2	4	6	10	14	22	39	61	88
1	THW	0	1	1	2	3	6	8	13	23	37	54
	THHN	0	1	1	3	4	7	10	16	29	45	65
1/0	THW	0	1	1	1	3	5	7	11	20	32	46
	THHN	0	1	1	2	3	6	9	14	24	38	55
2/0	THW	0	1	1	1	2	4	6	10	17	27	39
	THHN	0	1	1	1	3	5	7	11	20	32	46
3/0	THW	0	0	1	1	1	3	5	8	14	23	33
	THHN	0	1	1	1	2	4	6	9	17	26	38
4/0	THW	0	0	1	1	1	3	4	7	12	19	27
	THHN	0	0	1	1	1	3	5	8	14	22	31
250	THW	0	0	0	1	1	2	3	5	9	15	22
	THHN	0	0	1	1	1	3	4	6	11	18	25
300	THW	0	0	0	1	1	1	3	5	8	13	19
	THHN	0	0	0	1	1	2	3	5	9	15	22
350	THW	0	0	0	1	1	1	2	4	7	12	17
	THHN	0	0	0	1	1	1	3	5	8	13	19
400	THW	0	0	0	1	1	1	2	4	7	10	15
	THHN	0	0	0	1	1	1	3	4	7	12	17
500	THW	0	0	0	1	1	1	1	3	5	9	13
	THHN	0	0	0	1	1	1	2	3	6	10	14
600	THW	0	0	0	0	1	1	1	2	4	7	10
	THHN	0	0	0	0	1	1	1	3	5	8	12
700	THW	0	0	0	0	1	1	1	2	4	6	9
	THHN	0	0	0	0	1	1	1	2	4	7	10

Maximum Conductors in Nonmetallic PVC Schedule 80 PVC Conduit

Table C.9 (Based on Table 1, Chapter 9 of the N.E.C.)

Type Letters	Conductor Size AWG, kcmil	Conduit Trade Size (Inches)											
		1/2"	3/4"	1"	1-1/4"	1-1/2"	2"	2-1/2"	3"	3-1/2"	4"	5"	6"
THWN	14	9	17	28	51	70	118	170	265	358	464	736	1055
	12	6	12	20	37	51	86	124	193	261	338	537	770
	10	4	7	13	23	32	54	78	122	164	213	338	485
	8	2	4	7	13	18	31	45	70	95	123	195	279
THHN FEP (14 through 8)	6	1	3	5	9	13	22	32	51	68	89	141	202
	4	1	1	3	6	8	14	20	31	42	54	86	124
	3	1	1	3	5	7	12	17	26	35	46	73	105
	2	1	1	2	4	6	10	14	22	30	39	61	88
	1	0	1	1	3	4	7	10	16	22	29	45	65
PFA (14 through 4/0)	1/0	0	1	1	3	4	7	10	15	20	27	42	61
	2/0	0	1	1	2	3	5	8	12	17	22	35	50
	3/0	0	1	1	1	2	4	6	10	14	18	29	41
	4/0	0	0	1	1	1	4	5	8	11	15	24	34
Z (14 through 4/0)	250	0	0	1	1	1	3	4	6	9	11	18	26
	300	0	0	1	1	1	2	3	5	7	10	15	22
	350	0	0	0	1	1	1	3	5	6	8	14	20
	400	0	0	0	1	1	1	3	4	6	7	12	17
XHHW (4 through 55 kcmil)	500	0	0	0	1	1	1	2	3	5	6	10	14
	600	0	0	0	0	1	1	1	3	4	5	8	11
	700	0	0	0	0	1	1	1	2	3	4	7	10
	750	0	0	0	0	1	1	1	2	3	4	6	9
XHHW	6	1	2	4	8	11	19	28	43	59	76	121	173
	600	0	0	0	0	1	1	1	3	4	5	8	11
	700	0	0	0	0	1	1	1	2	3	4	7	10
	750	0	0	0	0	1	1	1	2	3	4	6	9

Schedule 40 and Schedule 80 Conduit

Size Inches	Feet per Bundle	10' Lengths			20' Lengths		
		Feet per Pack	Approx. Weight per Pack		Feet per Pack	Approx Weight per Pack	
			Sch. 40	Sch. 80		Sch. 40	Sch. 80
1/2	100	6,000	1044	1314	12,000	2088	--
3/4	100	4,400	1016	1309	8,000	2032	--
1	100	3,600	1234	1579	7,200	2468	3155
1-1/4	0	3,300	1521	2007	6,600	2042	4010
1-1/2	0	2,250	1242	1660	4,500	2484	2855
2	--	1,400	1039	1426	2,800	2078	2892
2-1/2	--	930	1094	1448	1,860	2188	2892
3	--	880	1448	1977	1,760	2896	3667
3-1/2	--	630	1248	1605	1,260	2496	--
4	--	570	1337	1854	1,140	2674	3474
5	--	380	1208	1715	760	2416	3216
6	--	260	1075	1616	520	2150	3025
8	--	180	1076	--	360	2152	--

EB & DB Utility Duct - 20' Lengths

Size Inches	Feet per Bundle	Feet per Pack	Approx. Weight per Pack			
			DB60	EB20	DB120	EB35
1	100	7,200	--	--	1176	--
1-1/2	100	4,500	--	--	1142	--
2	--	2,800	944	907	1079	--
3	--	1,760	1464	862	1529	--
4	--	1,140	1567	1056	1907	1171
5	--	760	1579	1064	1919	1281
6	--	520	1560	1026	1833	1195

Telephone Conduit - 20' Lengths

Spec	Size (Inch)	Feet per Pack	Approx Weight per Pack		
			Type B	Type C	Type D
CAO	4	1,260	1272	2030	1885
Commercial	4	1,260	--	1703	--

Product	Size Inches	Pieces per Pack	Feet per Pack	Pack Value
Sch. 40 & Sch. 80 conduit 10' lengths (For 20' lengths, double the 10' pack value shown)	1/2	600	6,000	8
	3/4	440	4,400	10
	1	360	3,600	13
	1-1/4	330	3,300	16
	1-1/2	225	2,250	16
	2	140	1,400	13
	2-1/2	93	930	13
	3	88	880	20
	3-1/2	63	630	20
	4	57	570	20
	5	38	380	20
	6	26	260	20
EB & DB Utility Duct 20' lengths	1	360	7,200	26
	1-1/2	225	4,500	32
	2	140	2,800	26
	3	88	1,760	40
	4	57	1,140	40
	5	38	760	40
	6	26	520	40
EZ Flex® ENT 10' Lengths	1/2	360	3,600	10
	3/4	400	4,000	10
	1	240	2,400	10
Telephone Conduit - CAO 20' lengths	4	63	1,260	53
Telephone Conduit - Commercial 20' lengths	4	63	1,260	53

Limited Warranty

The Seller, **CANTEX INC.**, warrants its PVC plastic pipe, conduit, fittings, accessories, residential electrical boxes and solvents against defective workmanship and material for a period of one year from date of applicable invoice. Seller's liability hereunder, either for breach of warranty or for negligence, is expressly limited, at Seller's option, to:

- A) Replacement at the agreed point of delivery, at no cost to the Purchaser, of any product found by the Seller to be defective or found not to conform to the applicable industry manufacturing standards, or
- B) to refund or credit to the Purchaser of the purchase price of such products, provided the Seller is notified immediately upon the discovery of any claimed defect and that representative samples of the allegedly defective product are returned, transportation prepaid, to Seller, F.O.B. shipping point, at Seller's request. No claim under this Limited Warranty will be considered until the product and representative samplings thereof have been examined by Seller.

The above warranty constitutes the entire liability of Seller. Seller shall not be liable for any incidental consequential damages directly or indirectly arising or resulting from the sale, transportation, handling, installation or use of the products sold, nor for product loss, re-installation or labor cost.

**THIS WARRANTY IS EXPRESSLY IN LIEU OF ANY OTHER WARRANTIES,
EXPRESSED OR IMPLIED, INCLUDING ANY IMPLIED WARRANTY OF
MERCHANTABILITY OR FITNESS FOR ANY PARTICULAR PURPOSE, AND
OF ANY OTHER OBLIGATION OR LIABILITY ON THE PART OF THE SELLER.**

Situations that void this Limited Warranty:

1. Excessive temperature combination during test of operation.
2. Use of the product under conditions for which the product was not designed.
3. Failure to adhere to Seller's General Instruction Sheets concerning the proper handling, installation and testing of the product. General Instruction sheets are available on request: Call 817-215-7000.
4. Use of non-suitable solvent cement. Suitable solvent cement shall be cement made in accordance with ASTM D 2564 and of the proper grade (viscosity) for the size of pipe being joined. CANTEX solvent cements meet these requirements.



817-215-7000 · 301 Commerce Ste. 2700
Fort Worth, Texas 76102

940-325-3344 · 2101 NE 1st Street
Mineral Wells, Texas 76067

330-995-3665 · 11444 Chamberlain Rd. #1
Aurora, Ohio 44202

330-995-3665m · 101 Gandy Road
Auburndale, Florida 33823

928-681-3301 · 4045 Bonanza Drive
Kingman, Arizona 86401

1. BUYER'S ACCEPTANCE

No waiver, alteration or modification of these conditions will be binding unless in writing signed by an authorized employee of **CANTEX INC.**

2. PAYMENT TERMS

All prices are F.O.B. shipping point with freight costs being collect, prepaid or allowed and do not include local, state or Federal taxes. Taxes are for the account of Buyer. Payment terms appear on the face of Buyers invoice. All orders are subject to credit approval.

3. DELINQUENCY FEES

If any invoice or part thereof is not paid within 30 days of date of invoice, **CANTEX** will impose as Delinquency Fees a charge of one (1%) percent per month or the maximum applicable legal amount upon any overdue amount to offset **CANTEX's** anticipated damages including collection and accounting costs. Buyer agrees that the law of the State of Buyer's location will govern the construction and validity of this Contract and all other legal aspects of this sale.

4. CANCELLATION

Buyer may cancel prior to shipment subject to Delinquency Fees of the cost of labor, overhead and materials used plus ten (10%) percent of the sales price. Special orders may not be canceled.

5. RETURNS

No material may be returned for credit without the Seller's written consent.

6. SHIPMENT / DELIVERY

CANTEX will ship common carrier. Errors for breakage of product delivered by common carrier are Buyer's responsibility. Buyer is responsible for prompt unloading of trucks and/or freight cars. If delivery of products is delayed by Buyer more than 60 days, Buyer will pay **CANTEX** eighty (80%) percent of total cost of products.

7. INSTALLATION

Supervision of installation not included unless specifically requested. **CANTEX** will not be responsible for any delay in performance due to acts of God, war, riots, embargoes, acts of civil or military authorities, fires, floods, accidents, quarantine restrictions, supplier conditions, strikes, differences with workmen, cessation of plant operations, delays in transportation, nuclear incident, shortage of cars, fuel, labor or materials, or any cause beyond the reasonable control of **CANTEX**.

9. COMPLIANCE

CANTEX states its intentions to comply with all Federal laws applicable to **CANTEX's** performance.

**Terms and Conditions of Sale are available for download.
Click the link on the Terms & Conditions Page of our website.
<https://www.cantexinc.com/resources/legal-information-terms>**

Visit our Website www.cantexinc.com

Do you need more information? If you haven't found what you need in our print catalog, please visit our website. You will find a searchable real-time CANTEX product catalog that is continually updated, so distributors, contractors, and consumers can easily search for the latest up-to-date information. You can search for the CANTEX PVC electrical products that you need using product numbers, key words or competitor cross reference numbers. The website is screen responsive, so it adjusts to any screen, putting marketing content, images, technical drawings, and safety data at your fingertips even when you are out in the field on a mobile device.



When you find the product that you need, you will arrive at a page containing quality product information, photos, technical drawings, sell sheets, and SDS safety sheets. This information is easy to download or email to a customer with one click of a button.

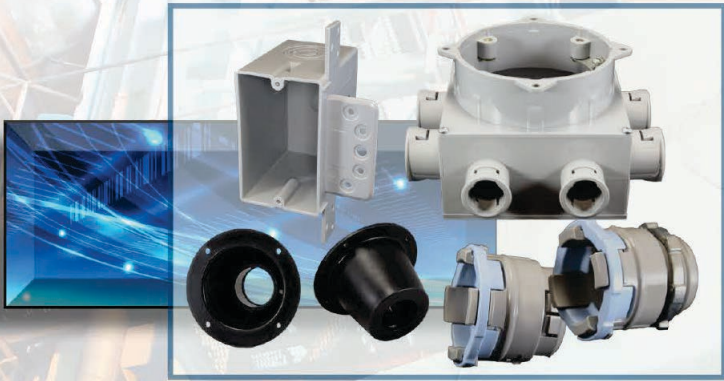


On-line Product Page



Searchable Product Catalog

If you need additional product resources, you can click on the resources tab where you find all of CANTEX's downloadable product literature, videos, terms & conditions, SDS safety data, FAQs, and compliance & certification information. If you still need more information, you can search for the sales agent assigned to your location using our agent search tool, or you can use our website contact form, or just give us a call at 817-215-7000. We are always here to help you find CANTEX products to meet all of your PVC electrical product needs.



Why CANTEX?

- Over 70 years of manufacturing American-made electrical products.
- Proven track record for quality and service.
- Nationwide distribution system for fast delivery time.



CANTEX®

Your Single-Source for ALL PVC Electrical Products

Our commitment to our distributors and end-users is backed by our continuous investment into plant facilities, production capacity, inventory and distribution systems. You can count on CANTEX to have the products you need when you need them.

For more information or technical drawings of CANTEX PVC Electrical Products, go to www.cantexinc.com or call CANTEX at 817-215-7000.